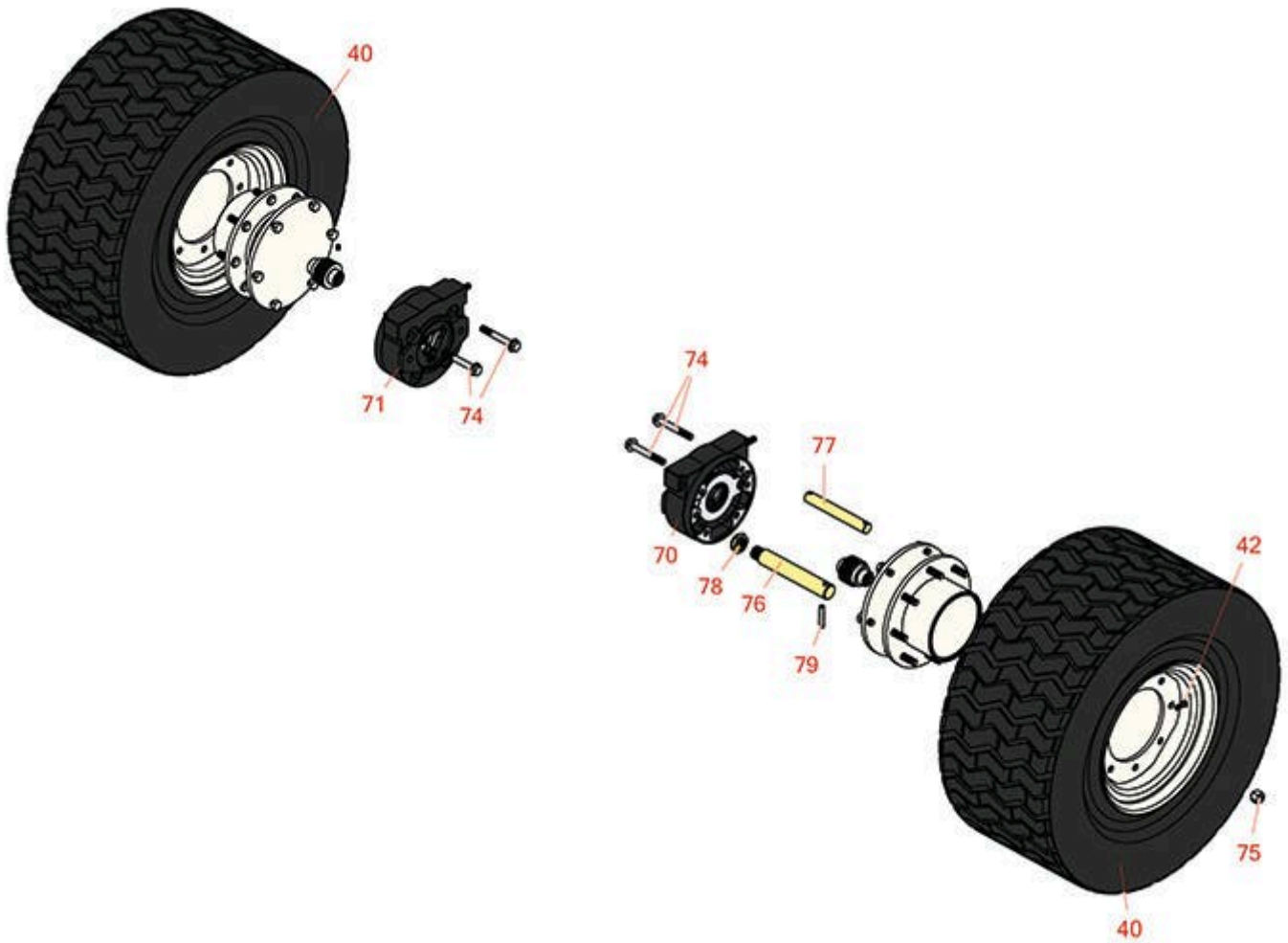




# Replaces Toro Groundsmaster 4100-D

## Parts

Rotary Mower - Models 30604 & 30608  
Front Wheels



All original equipment manufacturers names and part numbers are used for identification purposes only, and we are in no way implying that our products are original equipment parts. Prices subject to change without notice.



# Replaces Toro Groundsmaster 4100-D Parts

Rotary Mower - Models 30604 & 30608  
Front Wheels



Item No	R&R Part No.	OEM Part No.	Description	Qty Req	Price Each	Order Quantity
---------	--------------	--------------	-------------	---------	------------	----------------

## Tires & Wheels

40	<b>RCT574377</b>	119-8313, 126-8033, 99-5434	Tire - 26x12.00-12 Nhs (6 Ply) Carlisle Multi Trac C/S	2	<b>180.90</b>	
42	<b>R232-27</b>	232-27, 232-31	Stem - Valve w/ Cap	2	<b>4.15</b>	

## Other Parts Available

70	<b>R100-3070-03</b>	100-3070-03	Brake Assy - LH	1	<b>618.10</b>	
71	<b>R100-3069-03</b>	100-3069-03	Brake Assy - RH	1	<b>618.10</b>	
74	<b>R33106-090</b>	33106-090	Bolt - M12-1.75 x 90 Fl Hex HD Gr 8.8	8	<b>4.80</b>	
75	<b>R242-50</b>	242-50	Nut - 1/2-20 Wheel	16	<b>1.50</b>	
76	<b>R100-3017</b>	100-3017	Pin - Lift Arm	2	<b>105.75</b>	
77	<b>R110-6006</b>	110-6006	Clevis Pin	2	<b>21.75</b>	
78	<b>R3296-49</b>	3296-49	Locknut - 1 in 14	2	<b>2.95</b>	
79	<b>R32121-110</b>	32121-110	Roll Pin - Slotted	2	<b>2.85</b>	

All original equipment manufacturers names and part numbers are used for identification purposes only, and we are in no way implying that our products are original equipment parts. Prices subject to change without notice.