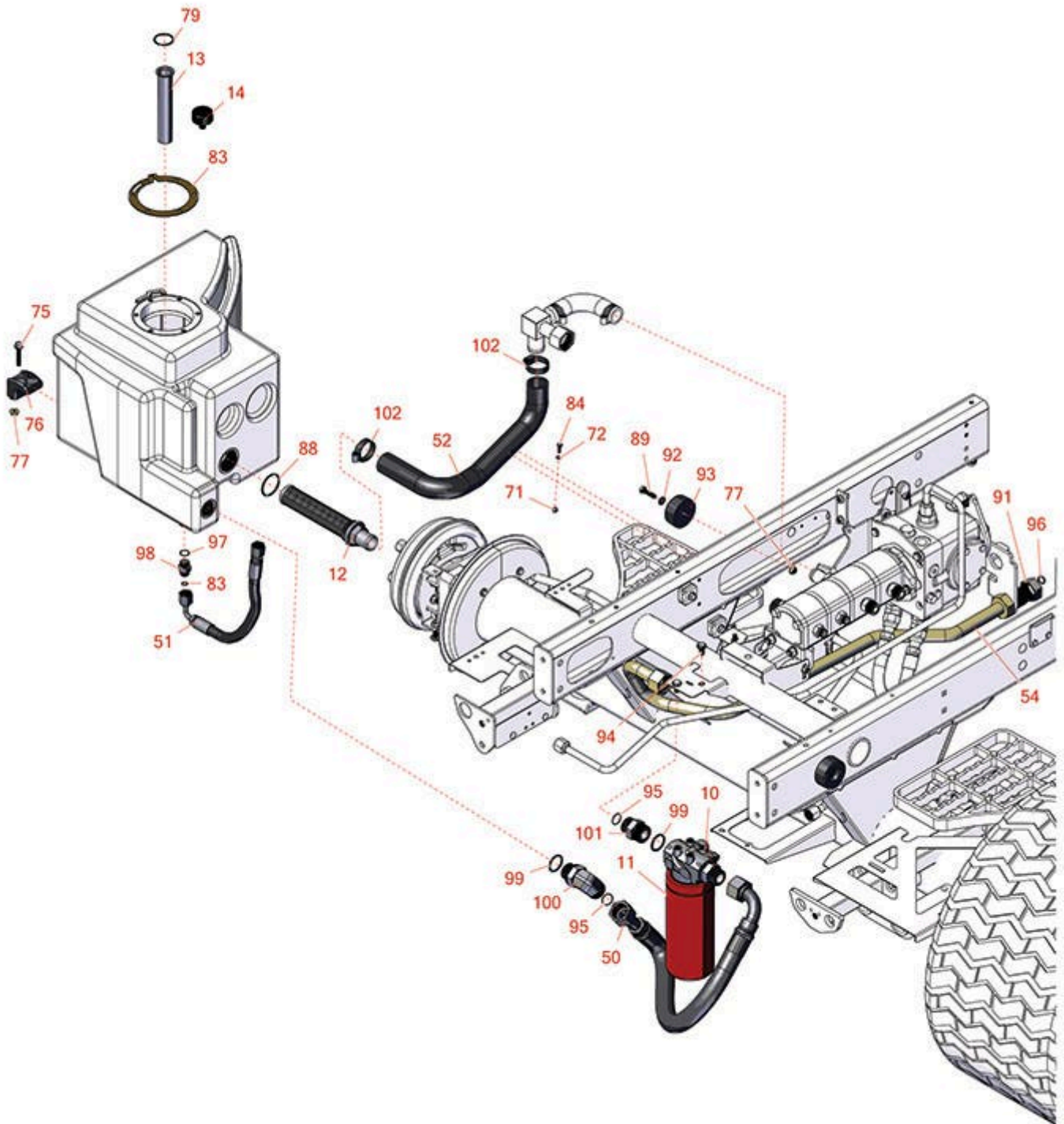




Replaces Toro Reelmaster 5510-G Parts

Traction Unit
Hydraulic Tank



All original equipment manufacturers names and part numbers are used for identification purposes only, and we are in no way implying that our products are original equipment parts. Prices subject to change without notice.



Replaces Toro Reelmaster 5510-G Parts

*Traction Unit
Hydraulic Tank*



Item No	R&R Part No.	OEM Part No.	Description	Qty Req	Price Each	Order Quantity
Filters						
10	R104-0080	104-0080	Filter Head Assy w/Filter	1	153.20	
11	R94-2621	94-2621	Baldwin Oil Filter - Hyd	1	74.30	
11	RRF10621		Slverguard Oil Filter - Hyd	1	46.15	
12	R105-0131	105-0131	Strainer-Tank - Oil	1	98.85	
13	R61-2790	61-2790	Screen - Filler - Hyd Oil	1	27.45	
14	R68-6150	58-9070, 68-6150	Breather	1	6.80	
Hoses						
50	R108-1689	108-1689	Hydraulic Hose Assy	1	195.35	
51	R66-8490	66-8490	Hydraulic Hose Assy	1	64.45	
52	R108-1685	108-1685	Hose - Formed	1	44.45	
54	R108-1699	108-1699	Tube Assy	1	169.70	
Other Parts Available						
71	R3296-2	32127-10, 3296-2, 9157404	Nut - #10 Lock	8	0.94	
72	R3256-14	24-7-BD, 32125-2, 3256-14, 3256-51, 51-2170	Washer - 10 Flat	8	0.34	
75	R94-5780	94-5780	Bolt - 5/16-18 x 1 3/4 Hx Fl	2	2.35	
76	R107-4543	107-4543	Clamp	2	6.30	
77	R104-8300	104-8300, 104-8300, 119-4041	Locknut - 5/16-18 Flanged Y/Zinc	3	0.47	

All original equipment manufacturers names and part numbers are used for identification purposes only, and we are in no way implying that our products are original equipment parts. Prices subject to change without notice.



Replaces Toro Reelmaster 5510-G Parts

*Traction Unit
Hydraulic Tank*



Item No	R&R Part No.	OEM Part No.	Description	Qty Req	Price Each	Order Quantity
79	R237-101	237-101	O-Ring	1	2.15	
83	R237-22	107-8844, 237-22, 237-78	O-Ring	1	0.62	
84	R32105-13	32105-13	Screw - Hx Was HD 10-32 x 3/4	8	1.05	
88	R340-136	340-136	O-Ring	1	4.35	
89	R400190	01-150-0720, 01-178-0510, 30-8680, 322-6, 513343	Bolt - Hex HD 5/16-18 x 1-1/4 GR5	1	0.40	
91	R340-128	340-128	Nut-Bulkhead	1	10.40	
92	R453009	01-166-0400, 24-10-BD, 24-9-AD, 32-9650, 3256-2, 3256-23, 3256-3, 3256-67, 3290-217, 3556-3, 4-2390, 7-0152	Washer - Flat 5/16 SAE	1	0.13	
93	R108-1605	108-1605	Bumper-Recess	1	5.85	
94	R3234-1	321-11, 3234-1	Bolt - Flanged Serrated Hex HD 3/8-16 x 3/4	4	1.45	
95	R340-65	340-65	O-Ring	4	0.86	
96	R237-30	23-6320, 237-30	O-Ring - Seal	3	0.78	
97	R237-79	237-79	O-Ring	1	1.50	
98	R340-3	340-3	Hydraulic Fitting - Adapter Connector	1	8.05	

All original equipment manufacturers names and part numbers are used for identification purposes only, and we are in no way implying that our products are original equipment parts. Prices subject to change without notice.



Replaces Toro Reelmaster 5510-G Parts

*Traction Unit
Hydraulic Tank*



Item No	R&R Part No.	OEM Part No.	Description	Qty Req	Price Each	Order Quantity
99	R237-146	237-146, 340-146	O-Ring	2	1.45	
100	R340-129	340-129	Hydraulic Fitting - 90 Deg	1	57.40	
101	R104-3797	104-3797	Hydraulic Fitting - Striaight	2	19.90	
102	R2412-111	2412-111	Clamp - Hose - Worm	2	4.15	

All original equipment manufacturers names and part numbers are used for identification purposes only, and we are in no way implying that our products are original equipment parts. Prices subject to change without notice.