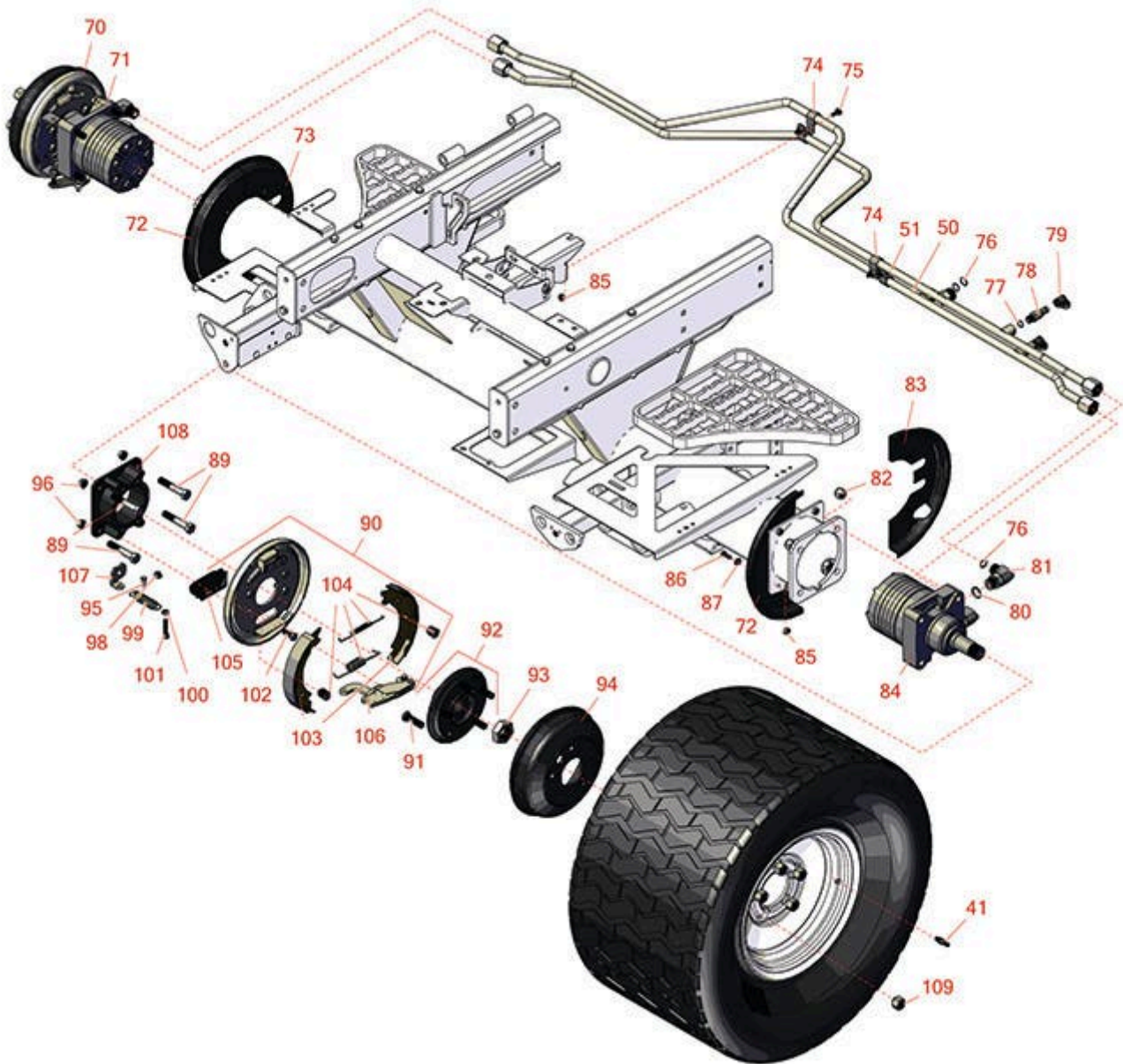




Replaces Toro Reelmaster 5510-G Parts

Traction Unit
Hydraulic Motors



All original equipment manufacturers names and part numbers are used for identification purposes only, and we are in no way implying that our products are original equipment parts. Prices subject to change without notice.



Replaces Toro Reelmaster 5510-G Parts

*Traction Unit
Hydraulic Motors*



Item No	R&R Part No.	OEM Part No.	Description	Qty Req	Price Each	Order Quantity
41	R232-27	232-27, 232-31	Stem - Valve w/ Cap	2	4.15	
Hoses						
50	R108-7632	108-7632	Tube Assy	1	129.45	
51	R108-7633	108-7633	Tube Assy	1	128.95	
Other Parts Available						
70	R120-6260	120-6260	Brake Assy - RH	1	295.60	
71	R120-6265	120-6265	Hydraulic Motor Assy (Cw)	1	1266.90	
72	R110-0950	110-0950	Shield - Brake - Front	2	39.15	
73	R110-8878	110-8878	Shield-Wheel - Rear RH	1	39.15	
74	R2412-134	2412-134	R-Clamp	4	4.35	
75	R3234-4	3234-4	Bolt - Hx Ser Was HD 1/4-20 x 3/4	4	0.67	
76	R237-65	237-65, 237.65	O-Ring	2	0.65	
77	R237-42	237-42, 31-4160	O-Ring	2	0.80	
78	R59-7410	59-7410	Tip-Nipple	2	20.15	
79	R354-79	354-79	Cap-Dust	2	4.85	
80	R237-80	237-80, 327-80	O-Ring	4	1.85	
81	R340-17	340-17	No 10 Male Orfs x No 10 Male Orb	4	23.45	
82	RF5003	32127-29, 32131-5, 32132-5, 3296-23	Locknut - ESNA 1/2-13	8	0.78	

All original equipment manufacturers names and part numbers are used for identification purposes only, and we are in no way implying that our products are original equipment parts. Prices subject to change without notice.



Replaces Toro Reelmaster 5510-G Parts

*Traction Unit
Hydraulic Motors*



Item No	R&R Part No.	OEM Part No.	Description	Qty Req	Price Each	Order Quantity
83	R110-0951	110-0951	Shiel D- Wheel - Rear LH	1	39.15	
84	R120-6264	120-6264	Hydraulic Motor Assy (Ccw)	1	1266.90	
85	R301504	2296-42, 301504, 32127-24, 32128-33, 32146-17, 3296-16, 3296-42, 3296-42 , 915661P	Locknut - ESNA 1/4-20	8	0.18	
86	R321-4	01-150-1030, 01-178-0406, 20-3-AGD, 321-4, 3222-1	Bolt - Hex HD 1/4-20 x 3/4	8	0.52	
87	R453009	01-166-0400, 24-10-BD, 24-9-AD, 32-9650, 3256-2, 3256-23, 3256-3, 3256-67, 3290-217, 3556-3, 4-2390, 7-0152	Washer - Flat 5/16 SAE	8	0.13	
89	R325-12	01-150-0320, 01-150-0880, 01-178-0824, 20-93-AD, 325-12	Bolt - Hx HD	8	5.35	
90	R120-6261	120-6261	Brake Assy - LH	1	295.60	
91	R114-3918	1-633926, 114-3918	Stud - Wheel	10	2.55	
92	R121-5631	121-5621, 121-5631	Hub Assy	2	88.95	

All original equipment manufacturers names and part numbers are used for identification purposes only, and we are in no way implying that our products are original equipment parts. Prices subject to change without notice.



Replaces Toro Reelmaster 5510-G Parts

*Traction Unit
Hydraulic Motors*



Item No	R&R Part No.	OEM Part No.	Description	Qty Req	Price Each	Order Quantity
93	R117-3290	117-3290	Nut - Hex	2	13.60	
94	R114-8864	114-8864	Drum - Brake	2	128.40	
95	R283-62	283-62	Pin - Clevis 5/16 x 3/4	2	0.74	
96	R3296-39	32127-25, 32128-36, 3290-357, 3296-17, 3296-22, 3296-39, 915663P, 99-7443	Locknut - 3/8-16 Nylon	8	1.40	
98	R104-8300	104-8300, 104-8300, 119-4041	Locknut - 5/16-18 Flanged Y/Zinc	2	0.47	
99	R87-4020	87-4020	Spring - Extension	2	9.60	
100	RP457-2	01-191-0518, 22-12-AJK, 3218-2, 513299, P457-2	Nut - Jam 5/16-18 Zinc	2	0.19	
101	R322-7	01-150-0750, 01-150-0760, 01-178-0512, 20-28-AD, 20-28-AGD, 322-7, 3223-4	Bolt - Hex HD 5/16-18 x 1-1/2	2	0.62	
102	R323-6	01-150-0010, 01-178-0608, 20-47-AD, 20-47-AGD, 3224-2, 323-6, 49-3510, 908034P, 908332	Bolt - Hex HD 3/8-16 x 1 GR5 YZ	8	0.59	
103	R108-6981	108-6981	Brake Shoe Kit - Set/2	2	71.45	

All original equipment manufacturers names and part numbers are used for identification purposes only, and we are in no way implying that our products are original equipment parts. Prices subject to change without notice.



Replaces Toro Reelmaster 5510-G Parts

*Traction Unit
Hydraulic Motors*



Item No	R&R Part No.	OEM Part No.	Description	Qty Req	Price Each	Order Quantity
104	R108-6983	108-6983	Brake Hardware Kit	2	13.60	
105	R110-8885	110-8885	Dust Boot Kit - Brake	2	12.35	
106	R110-8910	110-8910	Actuator Kit - LH	1	33.80	
106	R110-8884	110-8884	Actuator Kit - RH	1	33.80	
107	R120-6267	120-6267	Clip - Spring - LH	2	5.45	
107	R120-6266	120-6266	Clip - Spring - RH	2	5.45	
108	R120-6253-03	120-6253-03	Adapter-Brake	2	44.20	
109	R242-50	242-50	Nut - 1/2-20 Wheel	10	1.50	

All original equipment manufacturers names and part numbers are used for identification purposes only, and we are in no way implying that our products are original equipment parts. Prices subject to change without notice.