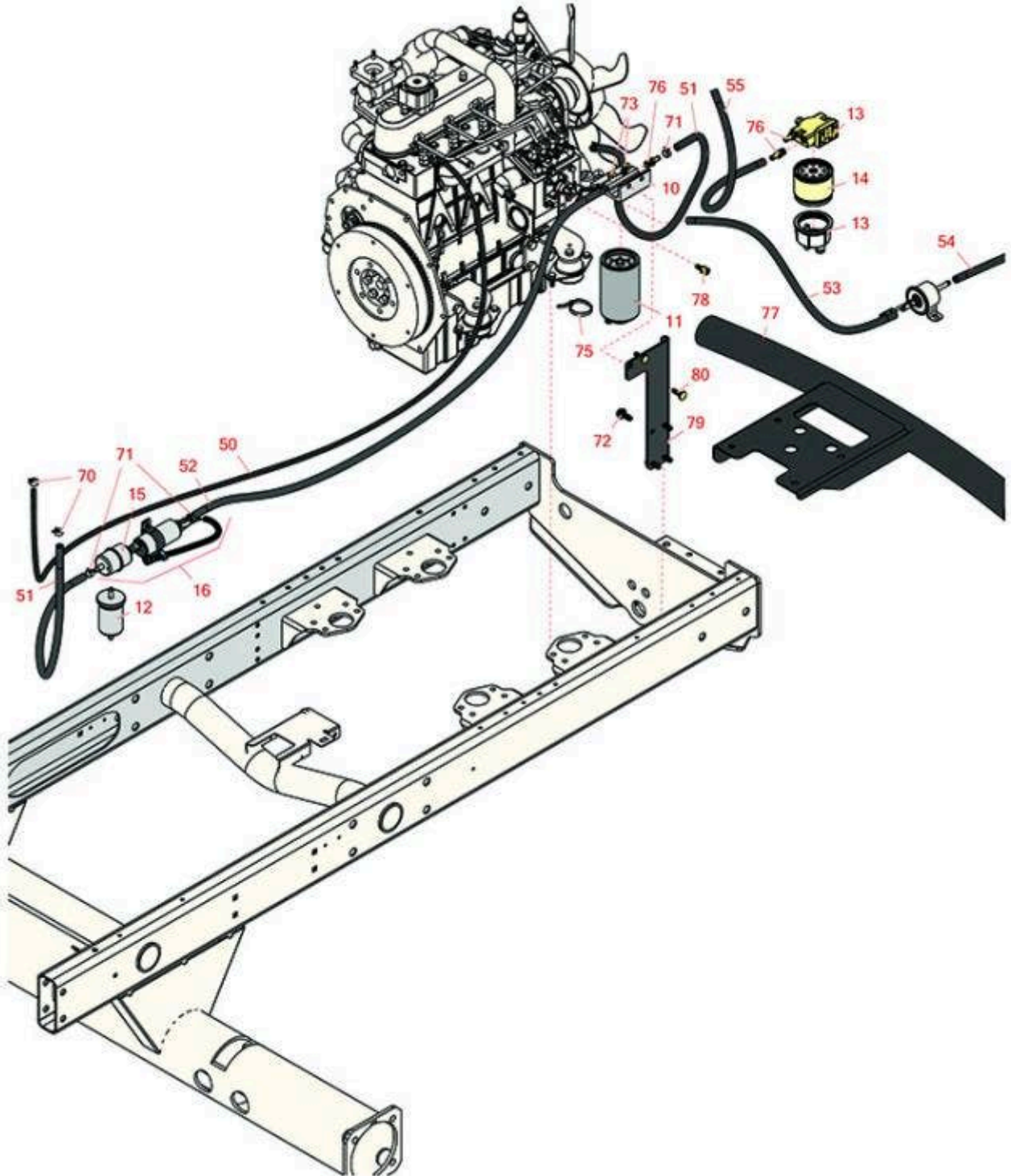




# Replaces Toro Reelmaster 5410-D Parts

Traction Unit

Fuel System, Battery & Bumper



All original equipment manufacturers names and part numbers are used for identification purposes only, and we are in no way implying that our products are original equipment parts. Prices subject to change without notice.



# Replaces Toro Reelmaster 5410-D Parts

*Traction Unit*

*Fuel System, Battery & Bumper*



Item No	R&R Part No.	OEM Part No.	Description	Qty Req	Price Each	Order Quantity
<b>Filters</b>						
10	<b>R110-9044</b>	110-9044	Donaldson Water/Fuel Separator Assy	1	<b>41.50</b>	
11	<b>R110-9049</b>	110-9049	Donaldson Fuel Filter - Spin On	1	<b>17.75</b>	
12	<b>RX1258143012</b>	108-3828, 98-7612	Kubota Fuel Filter	1	<b>4.75</b>	
13	<b>R98-9305</b>	98-9305	Water/Fuel Separator Assy	1	<b>183.95</b>	
14	<b>R98-9764</b>	98-9764	Element - Water Fuel Separator	1	<b>34.25</b>	
15	<b>RRF10534</b>	112-7836, RR ONLY, RRONLY	SilverGuard Fuel Filter - Inline	1	<b>5.95</b>	
15	<b>R112-7836</b>	112-7836, RR ONLY	Baldwin Fuel Filter - in Line	1	<b>6.90</b>	
16	<b>R110-8806</b>	110-8806	Fuel Pump and Filter Assy	1	<b>165.40</b>	
<b>Hoses</b>						
50	<b>R110-9011</b>	100-6588, 110-5688, 110-9011, 43-4230	Hose-Fuel	1	<b>22.95</b>	
51	<b>R110-3257</b>	110-3257, 63-7630	Hose-Fuel	1	<b>8.90</b>	
52	<b>R110-3259</b>	110-3259	Hose-Fuel	1	<b>16.85</b>	
53	<b>R109-0274</b>	109-0274	Hose- Fuel	1	<b>7.50</b>	
54	<b>R109-0309</b>	109-0309	Hose-Fuel	1	<b>11.70</b>	
55	<b>R110-4107</b>	109-0278, 110-4107	Hose-Fuel	1	<b>4.15</b>	
<b>Other Parts Available</b>						
70	<b>R2412-146</b>	2412-146	Hose Clamp	6	<b>1.45</b>	

All original equipment manufacturers names and part numbers are used for identification purposes only, and we are in no way implying that our products are original equipment parts. Prices subject to change without notice.



# Replaces Toro Reelmaster 5410-D Parts

*Traction Unit*

*Fuel System, Battery & Bumper*



Item No	R&R Part No.	OEM Part No.	Description	Qty Req	Price Each	Order Quantity
71	<b>R92-2379</b>	92-2379	Clamp - Hose	6	<b>0.41</b>	
72	<b>R32144-14</b>	32104-32, 32104-49, 32144-14	Bolt - Hex Washer 5/16-18 x 5/8	4	<b>2.45</b>	
73	<b>R104-8300</b>	104-8300, 104-8300 , 119-4041	Locknut - 5/16-18 Flanged Y/Zinc	3	<b>0.47</b>	
75	<b>R3290-378</b>	30-1740, 3290-378, 52-6570, 60-4340	Cable Tie	1	<b>0.35</b>	
76	<b>R353-783</b>	353-783	Fitting - Straight	4	<b>16.15</b>	
77	<b>R110-8951-03</b>	110-8951-03	Bumper Assy	2	<b>141.85</b>	
78	<b>R98-9311</b>	98-9311	Swivel-Throttle	1	<b>15.65</b>	
79	<b>R110-8968-01</b>	110-8968-01	Mount - Water Separator	1	<b>28.25</b>	
80	<b>R3230-22</b>	3230-22, R3230-22	Bolt - Carriage 5/16-18 x 1	2	<b>1.45</b>	

All original equipment manufacturers names and part numbers are used for identification purposes only, and we are in no way implying that our products are original equipment parts. Prices subject to change without notice.