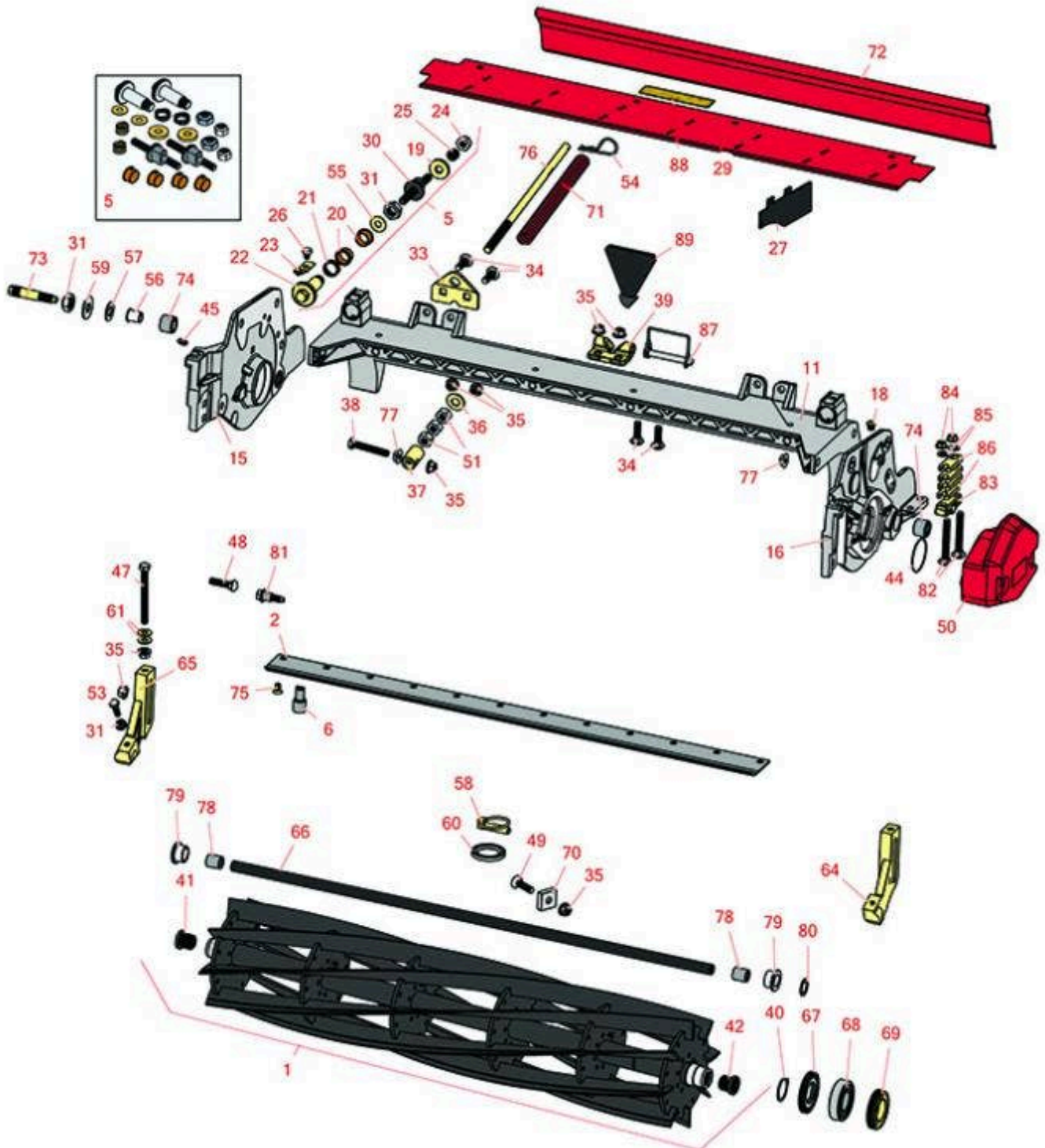




Replaces Toro Reelmaster 7000-D Parts

32in Cutting Unit - Model 03712
Reel & Bedknife



All original equipment manufacturers names and part numbers are used for identification purposes only, and we are in no way implying that our products are original equipment parts. Prices subject to change without notice.



Replaces Toro Reelmaster 7000-D Parts

32in Cutting Unit - Model 03712
Reel & Bedknife



Item No	R&R Part No.	OEM Part No.	Description	Qty Req	Price Each	Order Quantity
---------	--------------	--------------	-------------	---------	------------	----------------

R&R Reels Lifetime Guaranteed

1	R127-2104	115-8282, 127-2104	Reel - 5 Blade Radial 32x7	0	504.15	
---	------------------	-----------------------	----------------------------	---	---------------	--

Tech Note: Includes R107-3275 & R107-3276 Threaded Insert:

1	R127-2105	127-2105	Reel - 8 Blade Radial 32x7	1	530.70	
---	------------------	----------	----------------------------	---	---------------	--

Tech Note: Includes R107-3275 & R107-3276 Threaded Insert:

1	R115-8286	115-8286	Reel - 8 Blade 32x7	1	533.65	
---	------------------	----------	---------------------	---	---------------	--

Tech Note: Includes R107-3275 & R107-3276 Threaded Insert:

R&R Bedknife, Lifetime Guaranteed

2	R114-9389	114-9389	Bedknife - 32 in Unit - Standard	1	62.60	
---	------------------	----------	----------------------------------	---	--------------	--

2	R114-9391	114-9391	Bedknife - 32 in Unit - Heavy Duty	1	62.80	
---	------------------	----------	------------------------------------	---	--------------	--

R&R Razor Tool Steel Bedknives, Lifetime Guaranteed

2	R112-8956	112-8956	Bedknife - Razor Tool Steel - 32 x 3/8 Fairway	1	121.55	
---	------------------	----------	--	---	---------------	--

Overhaul Kits

5	R120-7230	120-7230	Overhaul Kit - Fits DPA Units	0	180.50	
---	------------------	----------	-------------------------------	---	---------------	--

Tech Note: Incl 2 ea.: R108-0015, R115-7039, R119-4155, R120-5116, R120-5118, R120-5120, R3296-33, R3296-48 & 4 ea: R106-5344:

6	R51-0880	51-0880	Bedknife Screw Driver Tool	0	35.65	
---	-----------------	---------	----------------------------	---	--------------	--

Other Parts Available

11	R112-8978	112-8978	Frame - Center 32 in Unit	1	296.70	
----	------------------	----------	---------------------------	---	---------------	--

15	R108-9083	108-9083	Side Plate - RH - Fits OEM Units Only	1	192.80	
----	------------------	----------	---------------------------------------	---	---------------	--

All original equipment manufacturers names and part numbers are used for identification purposes only, and we are in no way implying that our products are original equipment parts. Prices subject to change without notice.



Replaces Toro Reelmaster 7000-D Parts

32in Cutting Unit - Model 03712
Reel & Bedknife



Item No	R&R Part No.	OEM Part No.	Description	Qty Req	Price Each	Order Quantity
16	R108-9082	108-9082	Side Plate - LH - Fits OEM Units Only	1	192.70	
18	R170714	302-34, 302-39, 62-3520	Fitting - Pressure Relief	2	2.25	
19	R119-4155	119-4155	Washer - Hardened	2	7.50	
20	R106-5344	106-5344	Bushing - Flanged and Keyed	4	5.05	
21	R120-5116	120-5116	Washer - Wave	2	6.90	
22	R120-5118	120-5118	Shaft - Adjuster	2	31.05	
<i>Tech Note: 2012 & Newer:</i>						
23	R99-2097	99-2097	Detent - Bed Bar Adjuster	2	8.75	
24	R3296-48	119-4039, 32146-7, 3296-34, 3296-48	Locknut - 7/16-14 ESNA	2	0.55	
25	R120-5120	120-5120	Spring - Compression	2	2.35	
26	R114-9396	114-9396, 119-4067	Bolt - Hex HD 5/16-18 x 3/8	2	1.45	
27	R110-1706	110-1706	Deflector	7	3.40	
29	R112-8983	112-8983	Front Grass Shield Assy - 32 in Units	1	44.65	
30	R115-7039	115-7039	Screw - Adjuster - Bedbar	2	29.85	
31	R3296-33	3296-33	Locknut - 5/8-18 ESNA Jam	2	1.30	
33	R110-4069	110-4069	Bracket	1	7.05	

All original equipment manufacturers names and part numbers are used for identification purposes only, and we are in no way implying that our products are original equipment parts. Prices subject to change without notice.



Replaces Toro Reelmaster 7000-D Parts

32in Cutting Unit - Model 03712

Reel & Bedknife



Item No	R&R Part No.	OEM Part No.	Description	Qty Req	Price Each	Order Quantity
34	R3231-25	01-173-0610, 30-9970, 3231-25, 3231-3, 900064P	Bolt - Carriage 3/8-16 x 1-1/4	4	0.66	
35	R104-8301	104-8301, 104-9301, 109-6658, 133-7570	Locknut - 3/8-16 Nylon Flanged	7	0.84	
36	R87-7270-01	87-7270, 87-7270-01	Washer - Flat 1/2	1	0.29	
37	R99-8662	99-8662	Tube - Spring	1	11.55	
38	R104-3396	104-3396	Bolt - Hex HD 3/8-16 x 2-1/4	1	1.55	
39	R110-4058	110-4058	Bracket - Chain	1	19.40	
40	R92-2601	92-2601	Snap Ring	2	2.45	
41	R107-3275	107-3275	Insert - Threaded - RH - 9 Tooth	1	17.85	
42	R107-3276	107-3276	Insert - Threaded - LH - 9 Tooth	1	17.85	
44	R112-6967	112-6967	O-Ring	2	1.95	
45	R302-5	21-6010, 302-11, 302-37, 302-47, 302-5, 302-57, 302-58, 302-6, 31-0300, 32-9660, 60-0800, 62-3880, 92-4181	Fitting - Grease	2	0.27	
47	R107-4026	107-4026	Bolt - Hex Tap 3/8-16 x 3-3/4	2	6.25	

All original equipment manufacturers names and part numbers are used for identification purposes only, and we are in no way implying that our products are original equipment parts. Prices subject to change without notice.



Replaces Toro Reelmaster 7000-D Parts

32in Cutting Unit - Model 03712

Reel & Bedknife



Item No	R&R Part No.	OEM Part No.	Description	Qty Req	Price Each	Order Quantity
48	R3231-4	01-157-0440, 01-173-0612, 3231-4	Bolt - Carriage 3/8-16 x 1-1/2	2	1.20	
49	R3289-17	3289-17	Screw - 3/8-16 x 1 1/2 Fl Soc HD	2	2.85	
51	R443818	01-191-0813, 3218-18, 3218-5, 3248-18	Nut - 1/2-13 Hex Jam Zinc	2	0.35	
50	R119-0614-01	119-0614-01	Weight	1	76.40	
53	R322-16	322-16, Apr-00	Bolt - Hex HD 5/16-18 x 1-1/8	2	1.65	
54	R92-2762	92-2762	Pin - Snap	1	1.50	
55	R108-0015	108-0015	Washer - Flat	2	1.20	
56	R56-9520	56-9520	Bushing - Nyliner	2	1.55	
57	R61-1950	61-1950	Washer - Nylon - Bed Bar	2	0.64	
58	R283-71	283-71	Pin - Lynch Heavy Duty	1	2.45	
59	R453017	01-166-0050, 01-166-0240, 01-166-0800, 24-13-AD, 24-14-AD, 32-8110, 3256-26, 3256-6, 453017, 69-8980, 87-7270	Washer - Flat 1/2	2	0.28	
60	R94-8946	94-1427, 94-8946	Washer - Thrust	1	3.15	

All original equipment manufacturers names and part numbers are used for identification purposes only, and we are in no way implying that our products are original equipment parts. Prices subject to change without notice.



Replaces Toro Reelmaster 7000-D Parts

32in Cutting Unit - Model 03712
Reel & Bedknife



Item No	R&R Part No.	OEM Part No.	Description	Qty Req	Price Each	Order Quantity
61	R453011	01-166-0100, 01-166-0120, 01-166-0270, 01-166-0500, 01-166-0600, 01-166-0620, 132-4593, 2356-3, 237-12, 24-10-AD, 24-11-AD, 24-11-BD, 24-12-AD, 24-12-BD, 30-9310, 32-8190, 3256-24, 3256-3, 3256-36, 3256-4, 453011, 47-9950, 48-9220, 513458, 7-0052	Washer - Flat 3/8 SAE Y/Zinc	4	0.11	
64	R120-0404	120-0404	Bracket- High HOC - LH	1	53.80	
<i>Tech Note: Fits 2011 & Newer:</i>						
65	R120-0405	120-0405	Bracket - High HOC - RH	1	53.80	
<i>Tech Note: Fits 2011 & Newer:</i>						
66	R119-4262	119-4262	Tube - Support - 32 in Units	1	49.80	
67	R107-4028	105-6757, 107-4028	Seal - Grease	2	16.05	
68	R93-2489	93-2489	Bearing - Reel	2	21.20	
69	R107-2954	107-2954	Nut - Bearing Adjuster	1	11.50	
70	R119-1603	119-1603	Spacer - Pivot	2	13.60	
71	R119-4285	119-4285	Spring - Compression	1	41.60	

All original equipment manufacturers names and part numbers are used for identification purposes only, and we are in no way implying that our products are original equipment parts. Prices subject to change without notice.



Replaces Toro Reelmaster 7000-D Parts

32in Cutting Unit - Model 03712
Reel & Bedknife



Item No	R&R Part No.	OEM Part No.	Description	Qty Req	Price Each	Order Quantity
72	R112-8985-01	112-8985-01	Rear Grass Shield Assy - 32 in Units	1	98.85	
73	R106-9623	106-9623	Bolt - Bedbar	2	14.15	
74	R106-9618	106-9618	Bushing - Rubber	2	7.90	
75	R119-4151	119-4151	Screw - Bedknife 5/16-18 x 17/32	10	0.29	
76	R115-2007	107-7437, 115-2007	Rod - Spring	1	20.45	
77	R32128-43	30-8990, 32128-43, 3290-357	Nut - Flanged Whiz - 3/8-16	7	0.62	
78	R108-4279	108-4279	Spacer - Frame	2	6.75	
79	R93-2877	93-2877	Bushing - Flanged	2	3.65	
80	R67-9410	67-9410	Washer - Clevis Pin	2	1.55	
81	R107-2979	107-2979	Bolt - Shoulder	6	3.25	
82	R3230-26	3230-26	Screw - Carriage 5/16-18 x 3	4	3.40	
82	R3230-30	3230-30	Bolt - Carriage 5/16x4 1/2	4	6.30	
83	R106-3924	106-3924	Bracket - Rear Roller	2	15.70	
84	R104-8300	104-8300, 104-8300, 119-4041	Locknut - 5/16-18 Flanged Y/Zinc	4	0.47	
85	R94-6936	94-6936, 94-9236	Washer - Hardened - 5/16 SAE	4	0.57	
86	R119-0626	119-0626	Shim - Roller - 1/4 in - Slotted	12	5.45	
87	R107-7400	107-7400	Pin - Lynch	1	6.95	
88	R93-6688	93-6688	Decal - Warning	1	2.30	

All original equipment manufacturers names and part numbers are used for identification purposes only, and we are in no way implying that our products are original equipment parts. Prices subject to change without notice.



Replaces Toro Reelmaster 7000-D Parts

*32in Cutting Unit - Model 03712
Reel & Bedknife*



Item No	R&R Part No.	OEM Part No.	Description	Qty Req	Price Each	Order Quantity
89	R110-4088-03	110-4088-03, 119-8010-03	Kickstand	1	21.25	

All original equipment manufacturers names and part numbers are used for identification purposes only, and we are in no way implying that our products are original equipment parts. Prices subject to change without notice.