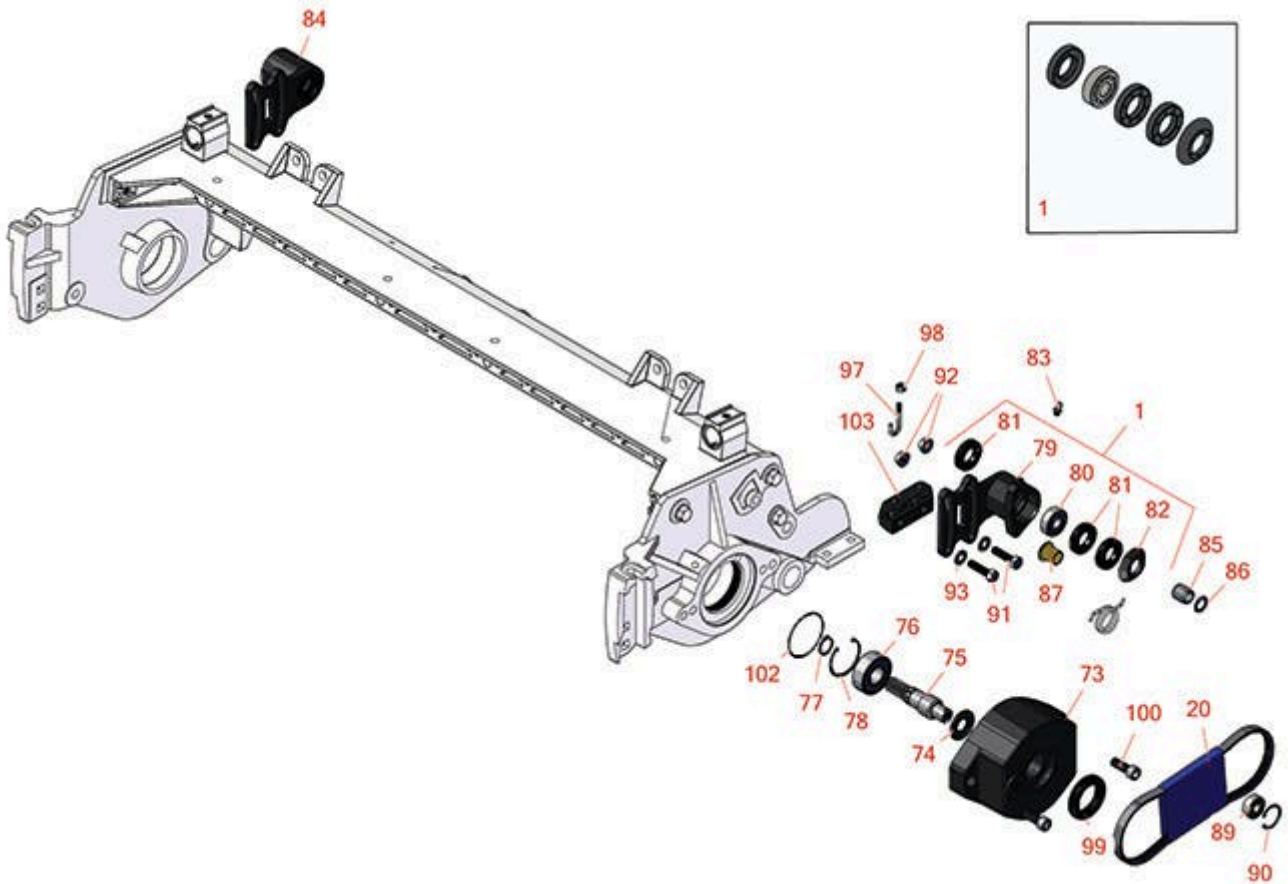




Replaces Toro Reelmaster 7000-D Parts

32in Cutting Unit - Model 03712

Rear Roller Brush - Model 03187



All original equipment manufacturers names and part numbers are used for identification purposes only, and we are in no way implying that our products are original equipment parts. Prices subject to change without notice.



Replaces Toro Reelmaster 7000-D Parts

32in Cutting Unit - Model 03712

Rear Roller Brush - Model 03187



Item No	R&R Part No.	OEM Part No.	Description	Qty Req	Price Each	Order Quantity
Overhaul Kits						
1	R110-4086	110-4086	Kit - Bearing	1	54.10	
<i>Tech Note: Includes 1 ea: R95-0707 Bearing, R108-4172 Seal; & 3 ea: R106-8530 Seal:</i>						
Belts						
20	R150622	115-0828	Belt- Brush, 7-INCH Reels	1	19.95	
Other Parts Available						
73	R108-4201	108-4201	Bearing Housing Assy	1	235.15	
74	R107-7795	107-7795	Seal - Oil	1	5.45	
75	R108-4234	108-4234	Shaft - Drive	1	48.70	
76	R93-2559	93-2559	Bearing	1	10.95	
77	R458013	30-0580, 32120-72, 458013, 93-2525, 936125	Ring - Retaining	1	0.54	
78	R32120-62	32120-62	Ring - Retaining	1	1.95	
79	R108-4495	108-4495	Bearing Housing Assy - Driven	1	170.05	
80	R95-0707	95-0707	Bearing - Self Aligning	2	24.85	
81	R106-8530	106-8530	Seal - Oil	3	9.05	
82	R108-4172	108-4172	Seal - Excluder	2	5.15	

All original equipment manufacturers names and part numbers are used for identification purposes only, and we are in no way implying that our products are original equipment parts. Prices subject to change without notice.



Replaces Toro Reelmaster 7000-D Parts

32in Cutting Unit - Model 03712

Rear Roller Brush - Model 03187



Item No	R&R Part No.	OEM Part No.	Description	Qty Req	Price Each	Order Quantity
83	R302-5	21-6010, 302-11, 302-37, 302-47, 302-5, 302-57, 302-58, 302-6, 31-0300, 32-9660, 60-0800, 62-3880, 92-4181	Fitting - Grease	4	0.27	
84	R108-4496	108-4496	Bearing Housing Assy - Non Driven	1	170.05	
85	R108-4491	108-4491	Spacer - Hardened	1	4.95	
86	R112-6957	112-6957	Washer - Hardened	1	1.25	
87	R256-155	256-155, 265-155	Bushing - Flanged	1	3.45	
89	R110-1701	110-1701	Bearing	1	12.50	
90	R32151-60	32151-60	Ring - Snap	1	1.05	
91	R400190	01-150-0720, 01-178-0510, 30-8680, 322-6, 513343	Bolt - Hex HD 5/16-18 x 1-1/4 GR5	4	0.40	
92	R104-8300	104-8300, 104-8300, 119-4041	Locknut - 5/16-18 Flanged Y/Zinc	4	0.47	
93	R94-6936	94-6936, 94-9236	Washer - Hardened - 5/16 SAE	4	0.57	
97	R105-9632	105-9632	Bolt - J	2	7.50	
98	R3296-2	32127-10, 3296-2, 9157404	Nut - #10 Lock	2	0.94	

All original equipment manufacturers names and part numbers are used for identification purposes only, and we are in no way implying that our products are original equipment parts. Prices subject to change without notice.



Replaces Toro Reelmaster 7000-D Parts

32in Cutting Unit - Model 03712

Rear Roller Brush - Model 03187



Item No	R&R Part No.	OEM Part No.	Description	Qty Req	Price Each	Order Quantity
99	R240-7	240-7	Grommet - Rubber - 2 in OD	1	9.30	
100	R3274-7	3247-7, 3274-7	Bolt - Soc HD Cap 3/8-16 x 1	2	1.40	
102	R112-6967	112-6967	O-Ring	1	1.95	
103	R108-4480	108-4480	Bracket - Rear Roller Brush	2	18.80	

All original equipment manufacturers names and part numbers are used for identification purposes only, and we are in no way implying that our products are original equipment parts. Prices subject to change without notice.