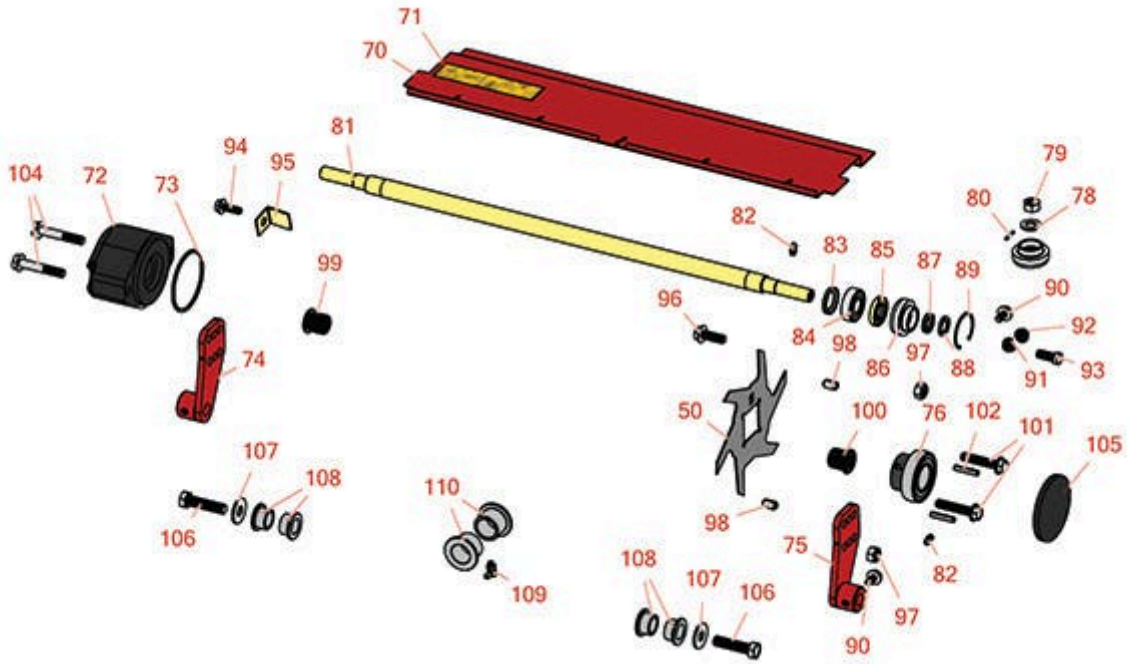




# Replaces Toro Reelmaster 6700D Parts

*Dethatcher Unit - Model 03871*

*Dethatcher Reel*



All original equipment manufacturers names and part numbers are used for identification purposes only, and we are in no way implying that our products are original equipment parts. Prices subject to change without notice.



# Replaces Toro Reelmaster 6700D Parts

*Dethatcher Unit - Model 03871*

*Dethatcher Reel*



Item No	R&R Part No.	OEM Part No.	Description	Qty Req	Price Each	Order Quantity
<b>Blades</b>						
50	<b>R93-3038-03</b>	93-3038, 93-3038-03	Blade - Vertical Mower 1/16x7.25	16	<b>4.20</b>	
<b>Other Parts Available</b>						
70	<b>R98-7978</b>	93-9761, 94-8942, 98-7978	Front Grass Shield	1	<b>100.90</b>	
71	<b>R93-6688</b>	93-6688	Decal - Warning	1	<b>2.30</b>	
72	<b>R105-4011-03</b>	105-4011, 105-4011-03, 94-4347, 94-4347-01, 94-4347-03	Weight - End	1	<b>59.25</b>	
73	<b>R93-9783</b>	93-9783	O-Ring - Reel	2	<b>1.30</b>	
74	<b>R94-4332</b>	94-4332, 94-4332-01	Bracket - LH Front Roller	1	<b>36.50</b>	
75	<b>R94-4333</b>	94-4333, 94-4333-01	Bracket - RH Front Roller	1	<b>36.50</b>	
76	<b>R94-2710</b>	94-2710	Bearing - Ball 1-3/16 Cyl	2	<b>23.25</b>	
78	<b>R33096-00</b>	33096-00	Washer-Flat	2	<b>1.85</b>	
79	<b>R94-4307</b>	94-4307	Nut-Hex Lock	4	<b>0.81</b>	
80	<b>R32121-50</b>	32121-50	Pin - Roll Spiral Lock 1/8 1147	2	<b>1.20</b>	
81	<b>R93-2887</b>	93-2887	Shaft - Roller	1	<b>44.30</b>	

All original equipment manufacturers names and part numbers are used for identification purposes only, and we are in no way implying that our products are original equipment parts. Prices subject to change without notice.



# Replaces Toro Reelmaster 6700D Parts

*Dethatcher Unit - Model 03871*

*Dethatcher Reel*



Item No	R&R Part No.	OEM Part No.	Description	Qty Req	Price Each	Order Quantity
82	<b>R302-5</b>	21-6010, 302-11, 302-37, 302-47, 302-5, 302-57, 302-58, 302-6, 31-0300, 32-9660, 60-0800, 62-3880, 92-4181	Fitting - Grease	6	<b>0.27</b>	
83	<b>R93-3007</b>	93-3007	Seal	2	<b>3.55</b>	
84	<b>R343667</b>	109966, 251-6, 38-7820	Bearing - Ball	2	<b>9.05</b>	
85	<b>R93-1251</b>	93-1251	Seal	2	<b>7.25</b>	
86	<b>R93-1252</b>	93-1252	Seal - Outer	2	<b>13.95</b>	
87	<b>R253-70</b>	253-70	Seal	2	<b>4.95</b>	
88	<b>R93-2931</b>	93-2931	Washer - Roller Seal	2	<b>2.55</b>	
89	<b>R32120-62</b>	32120-62	Ring - Retaining	2	<b>1.95</b>	
90	<b>R33114-016</b>	33114-016, 42-9230, 42-9270, 48-7680, 48-7690, 48-7700	Bolt - Hx HD 8mm x 1.25 x 15	4	<b>0.40</b>	
91	<b>R445795</b>	30-4020, 32128-25, 445795	Nut - 5/16-18 Flanged	4	<b>0.26</b>	

All original equipment manufacturers names and part numbers are used for identification purposes only, and we are in no way implying that our products are original equipment parts. Prices subject to change without notice.



# Replaces Toro Reelmaster 6700D Parts

*Dethatcher Unit - Model 03871*

*Dethatcher Reel*



Item No	R&R Part No.	OEM Part No.	Description	Qty Req	Price Each	Order Quantity
92	<b>R445722</b>	30-8980, 32128-2, 32128-20, 32128-20, 445722	Nut - Serrated Washer	4	<b>0.66</b>	
93	<b>R33105-025</b>	33105-025	Bolt - Hex HD M10-1.5 x 25	8	<b>0.98</b>	
94	<b>R33104-020</b>	33104-020	Bolt - Hex Washer HD	2	<b>1.85</b>	
95	<b>R94-2747</b>	94-2747	Tab-Stop	1	<b>6.55</b>	
96	<b>R33105-030</b>	33105-030	Bolt - Hex Washer M10	4	<b>2.35</b>	
97	<b>R33025-00</b>	32025-00, 33025-00	Locknut - 10mm x 1.5 Jam	8	<b>0.54</b>	
98	<b>R32121-36</b>	32121-36	Pin-Spring	4	<b>2.55</b>	
99	<b>R94-2732</b>	94-2732	Insert - Threaded RH	1	<b>13.30</b>	
100	<b>R94-2733</b>	94-2733	Insert - Threaded LH	1	<b>13.30</b>	
101	<b>R93-7522</b>	93-7522	Bolt - Hx HD M10-1.5 x 90	4	<b>1.75</b>	
102	<b>R32121-69</b>	120-8095, 32121-69	Pin - Roll 1/4 x 1-1/4	4	<b>0.56</b>	
104	<b>R33105-060</b>	33105-060	Bolt - M10-1.5 x 60 Hx HD Fl	2	<b>7.90</b>	
105	<b>R94-2703</b>	94-2703	Plug - Plastic Spindle Housing	1	<b>2.05</b>	
106	<b>R94-2702</b>	94-2702	Bolt - Hex HD M12-1.75 x 50	2	<b>2.45</b>	
107	<b>R94-2701</b>	94-2701	Washer - Hardened	2	<b>1.85</b>	
108	<b>R93-2877</b>	93-2877	Bushing - Flanged	4	<b>3.65</b>	
109	<b>R302-60</b>	302-60	Zerk - Grease 90 Deg.	1	<b>0.68</b>	
110	<b>R94-1291</b>	94-1291	Bushing - Flanged	2	<b>6.30</b>	

All original equipment manufacturers names and part numbers are used for identification purposes only, and we are in no way implying that our products are original equipment parts. Prices subject to change without notice.