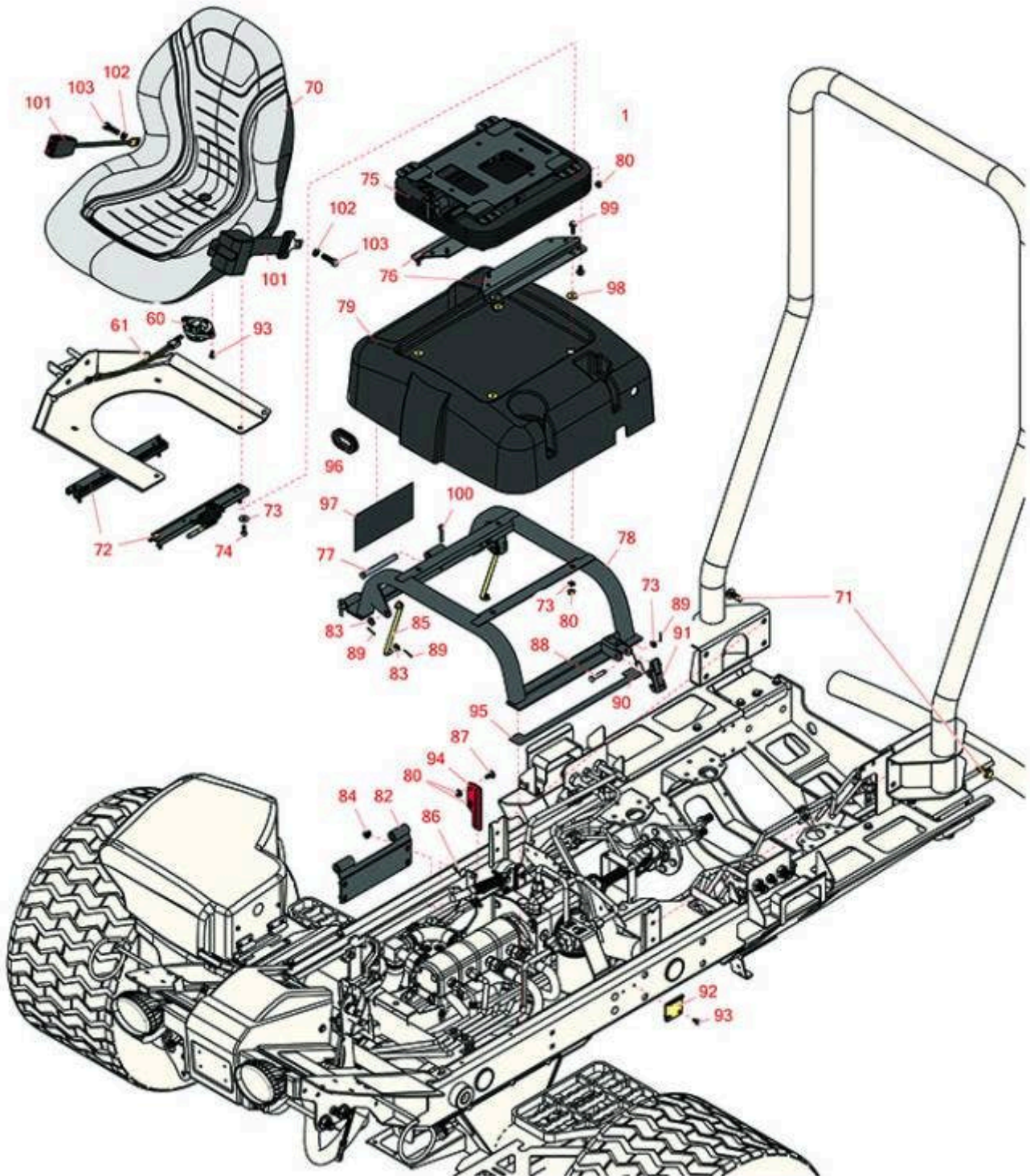




# Replaces Toro Reelmaster 5510-G Parts

Traction Unit  
Seat



All original equipment manufacturers names and part numbers are used for identification purposes only, and we are in no way implying that our products are original equipment parts. Prices subject to change without notice.



# Replaces Toro Reelmaster 5510-G Parts

Traction Unit  
Seat



Item No	R&R Part No.	OEM Part No.	Description	Qty Req	Price Each	Order Quantity
---------	--------------	--------------	-------------	---------	------------	----------------

## Overhaul Kits and Service Tools

1	<b>R120-5179</b>	120-5179	Large Seat Cover - Gray	1	<b>47.05</b>	
---	------------------	----------	-------------------------	---	--------------	--

## Gauges and Controls

60	<b>R92-6282</b>	62-6282, 92-6282	Switch - Kill - Seat	1	<b>18.95</b>	
61	<b>R108-8657</b>	108-8657	Harness-Wire, Seat	1	<b>22.10</b>	

## Other Parts Available

70	<b>RMXB200GY</b>	100-3187, 104-4620, 104-7620, 21-4880, 351-59, 351-76, 49-8130, 63-9410, 66-5400, 75-9190, 750105, 92-6280, MXB200GY	Milsco Seat XB200 - Grey	1	<b>191.30</b>	
----	------------------	--	--------------------------	---	---------------	--

*Tech Note: This seat will not accept seat belts:*

71	<b>R3234-38</b>	3234-38	Bolt - Flanged Hex 1/2-13 x 1-1/4	2	<b>3.55</b>	
72	<b>R150224</b>	133-8896, 92-8990, 92-8990/92-8991, 92-8991	Adjusters - Seat (Set of 2)	1	<b>145.95</b>	

All original equipment manufacturers names and part numbers are used for identification purposes only, and we are in no way implying that our products are original equipment parts. Prices subject to change without notice.



# Replaces Toro Reelmaster 5510-G Parts

Traction Unit  
Seat



Item No	R&R Part No.	OEM Part No.	Description	Qty Req	Price Each	Order Quantity
73	<b>R453009</b>	01-166-0400, 24-10-BD, 24-9-AD, 32-9650, 3256-2, 3256-23, 3256-3, 3256-67, 3290-217, 3556-3, 4-2390, 7-0152	Washer - Flat 5/16 SAE	9	<b>0.13</b>	
74	<b>R434024</b>	3274-12	Bolt - Soc HD Cap 5/16-18 x 3/4	4	<b>1.25</b>	
75	<b>R110-8851</b>	110-8851	Mechanical Suspension - Seat	1	<b>600.45</b>	
76	<b>R108-6590-03</b>	108-6590-03	Seat Bracket - Lower	2	<b>27.90</b>	
77	<b>R283-83</b>	283-83, 42194, 93-5343	Pin - Clevis	2	<b>5.15</b>	
78	<b>R108-7577-03</b>	108-7577-03	Seat Base Assy	1	<b>289.85</b>	
79	<b>R108-1757</b>	108-1757	Cover-Seat Base	1	<b>179.65</b>	
80	<b>R104-8300</b>	104-8300, 104-8300, 119-4041	Locknut - 5/16-18 Flanged Y/Zinc	10	<b>0.47</b>	
82	<b>R108-7582-03</b>	108-7582-03	Pivot Plate Assy	1	<b>52.70</b>	

All original equipment manufacturers names and part numbers are used for identification purposes only, and we are in no way implying that our products are original equipment parts. Prices subject to change without notice.



# Replaces Toro Reelmaster 5510-G Parts

Traction Unit  
Seat



Item No	R&R Part No.	OEM Part No.	Description	Qty Req	Price Each	Order Quantity
83	<b>R453011</b>	01-166-0100, 01-166-0120, 01-166-0270, 01-166-0500, 01-166-0600, 01-166-0620, 132-4593, 2356-3, 237-12, 24-10-AD, 24-11-AD, 24-11-BD, 24-12-AD, 24-12-BD, 30-9310, 32-8190, 3256-24, 3256-3, 3256-36, 3256-4, 453011, 47-9950, 48-9220, 513458, 7-0052	Washer - Flat 3/8 SAE Y/Zinc	4	<b>0.11</b>	
84	<b>R104-8301</b>	104-8301, 104-9301, 109-6658, 133-7570	Locknut - 3/8-16 Nylon Flanged	4	<b>0.84</b>	
85	<b>R98-0917</b>	98-0917	Rod-Prop	2	<b>35.65</b>	
86	<b>R3231-27</b>	3231-27	Bolt - Carriage 3/8-16 x 7/8	4	<b>0.53</b>	
87	<b>R3230-1</b>	01-173-0506, 3230-1, 3230-20, 900037P	Bolt - Carriage 5/16-18 x 3/4	2	<b>0.62</b>	
88	<b>R94-3829</b>	94-3829	Pin - Clevis	1	<b>2.55</b>	

All original equipment manufacturers names and part numbers are used for identification purposes only, and we are in no way implying that our products are original equipment parts. Prices subject to change without notice.



# Replaces Toro Reelmaster 5510-G Parts

Traction Unit  
Seat



Item No	R&R Part No.	OEM Part No.	Description	Qty Req	Price Each	Order Quantity
89	<b>R1023-4</b>	01-151-0150, 1023-4, 19-6220, 214-14, 215-54, 28-9-D, 3272-4, 3272-6, 513567, 932008P	Pin - Cotter 3/32 x 3/4	1	<b>0.23</b>	
90	<b>R104-4821</b>	104-4821	Spring - Torsion - Seat Base	1	<b>3.65</b>	
91	<b>R110-8971</b>	110-8971	Latch	1	<b>9.85</b>	
92	<b>R110-8972</b>	110-8972	Hook-Latch	1	<b>5.35</b>	
93	<b>R12-3270</b>	12-3270, 30-0700, 32104-17, 9266714, Aug-80	Bolt - Hex Washer 1/4-20 x 1/2	2	<b>1.45</b>	
94	<b>R108-7584-01</b>	108-7584-01	Plate-Guide, Rod	1	<b>6.90</b>	
95	<b>R110-5255</b>	110-5255	Bumper - Base - Seat	2	<b>19.10</b>	
96	<b>R240-12</b>	240-12	Grommet	1	<b>13.10</b>	
97	<b>R114-8891</b>	110-0996, 114-8890, 114-8891	Decal- Reel Speed	1	<b>25.15</b>	
98	<b>R366653</b>	71-9310	Spacer	4	<b>3.85</b>	
99	<b>R3234-29</b>	3234-17, 3234-29	Bolt - 5/16-18x1 Serr Hex	4	<b>1.65</b>	
100	<b>R3272-11</b>	01-151-0010, 01-151-0040, 28-18-D, 28-28-D, 3211-72, 3272-11	Pin - Cotter	2	<b>0.70</b>	

All original equipment manufacturers names and part numbers are used for identification purposes only, and we are in no way implying that our products are original equipment parts. Prices subject to change without notice.



# Replaces Toro Reelmaster 5510-G Parts

*Traction Unit  
Seat*



Item No	R&R Part No.	OEM Part No.	Description	Qty Req	Price Each	Order Quantity
101	<b>R150848</b>	100-4928, 110-0413, 110-9720, 95-8910	Belt-Seat	1	<b>194.60</b>	
102	<b>R3253-6</b>	01-166-0710, 23-12-GD, 3253-6, 59-7590	Washer - Lock 7/16 Zinc	2	<b>0.29</b>	
103	<b>R3212-4</b>	3212-3, 3212-4	Bolt - Hex HD 7/16-20 x 1 GR5	2	<b>2.45</b>	

All original equipment manufacturers names and part numbers are used for identification purposes only, and we are in no way implying that our products are original equipment parts. Prices subject to change without notice.