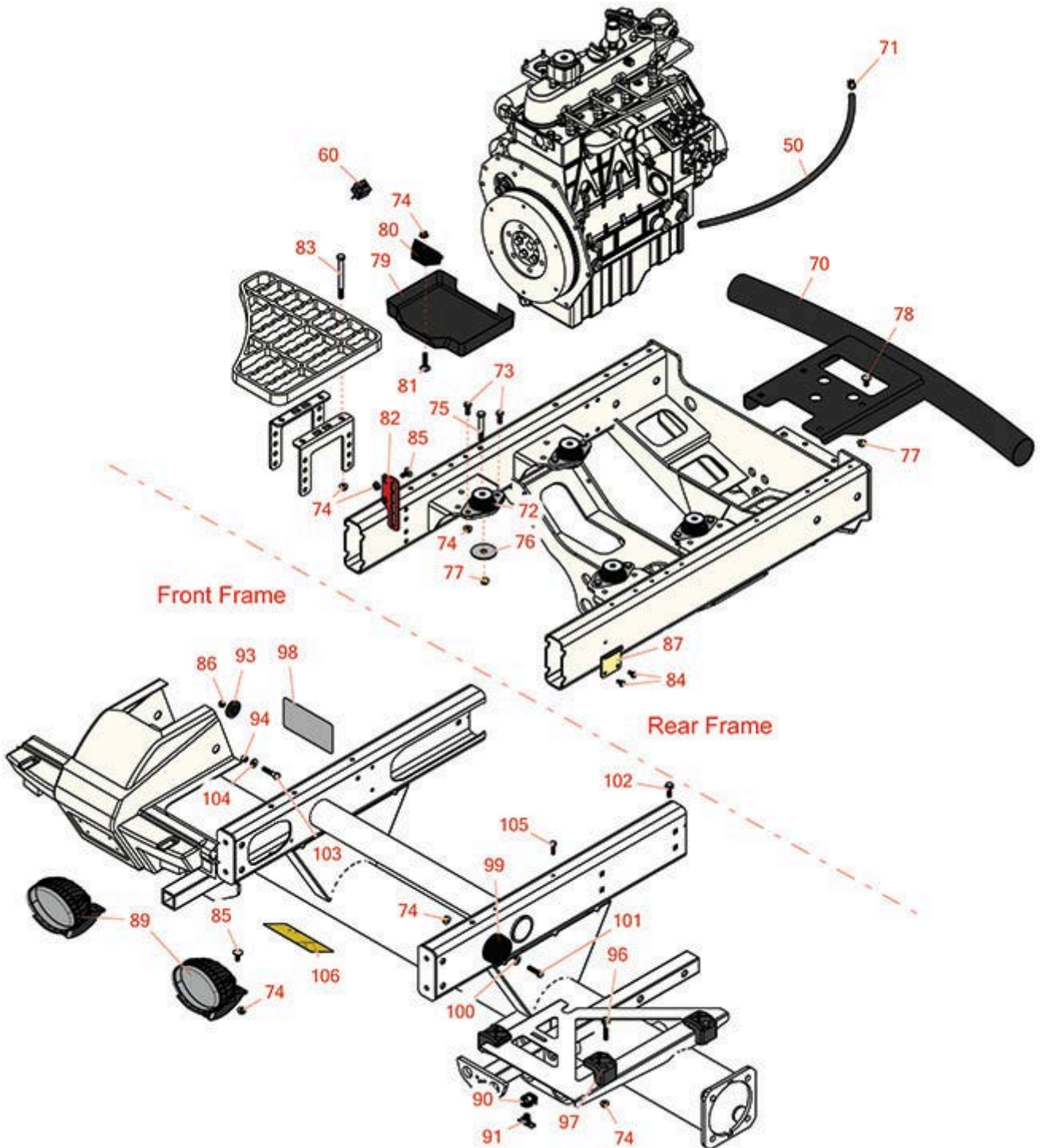




Replaces Toro Reelmaster 5510-G Parts

Traction Unit
Front Frame



All original equipment manufacturers names and part numbers are used for identification purposes only, and we are in no way implying that our products are original equipment parts. Prices subject to change without notice.



Replaces Toro Reelmaster 5510-G Parts

Traction Unit
Front Frame



Item No	R&R Part No.	OEM Part No.	Description	Qty Req	Price Each	Order Quantity
Hoses						
50	R110-3257	110-3257, 63-7630	Hose-Fuel	1	8.90	
50	R106-1128	106-1128	Hose - Fuel - Tank to Valve	1	3.95	
50	R109-0308	109-0308	Fuel Hose	1	6.80	
Gauges and Controls						
60	R99-7435	99-7435	Relay - 70 Amp	2	21.90	
Other Parts Available						
70	R110-8951-03	110-8951-03	Bumper Assy	1	141.85	
71	R2412-146	2412-146	Hose Clamp	1	1.45	
71	R92-2379	92-2379	Clamp - Hose	5	0.41	
72	R120-6274	120-6274	Mount - Motor - 215 lb Rating	4	19.40	
73	R322-4	322-4, 3290-115, 908018P	Bolt - Hex HD 5/16-18 x 7/8	8	0.47	
73	R32144-14	32104-32, 32104-49, 32144-14	Bolt - Hex Washer 5/16-18 x 5/8	8	2.45	
74	R104-8300	104-8300, 104-8300 , 119-4041	Locknut - 5/16-18 Flanged Y/Zinc	20	0.47	

All original equipment manufacturers names and part numbers are used for identification purposes only, and we are in no way implying that our products are original equipment parts. Prices subject to change without notice.



Replaces Toro Reelmaster 5510-G Parts

Traction Unit
Front Frame



Item No	R&R Part No.	OEM Part No.	Description	Qty Req	Price Each	Order Quantity
75	R101526	01-150-0970, 01-178-0620, 101526, 20-53-AGD, 321-11, 3224-8, 323-11, 323-12, 323-31, 323-4, 323-47	Bolt - Hex HD 3/8-16 x 2-1/2 GR5	4	0.91	
76	R87-5100	87-5100	Washer - Snubbing	4	2.50	
77	R104-8301	104-8301, 104-9301, 109-6658, 133-7570	Locknut - 3/8-16 Nylon Flanged	8	0.84	
78	R3231-21	3231-21	Screw - 3/8-16 x 3/4 Carriage	4	0.75	
79	R99-3513	99-3513	Tray - Battery	1	41.40	
80	R66-2490	66-2490	Retainer - Battery	1	6.05	
81	R3230-6	3230-6	Bolt - Carriage	1	1.65	
82	R108-7584-01	108-7584-01	Plate-Guide, Rod	1	6.90	
83	R323-17	323-17	Bolt - Hex HD 3/8-16 x 4	1	3.25	
84	R12-3270	12-3270, 30-0700, 32104-17, 9266714, Aug-80	Bolt - Hex Washer 1/4-20 x 1/2	2	1.45	
85	R3230-1	01-173-0506, 3230-1, 3230-20, 900037P	Bolt - Carriage 5/16-18 x 3/4	2	0.62	

All original equipment manufacturers names and part numbers are used for identification purposes only, and we are in no way implying that our products are original equipment parts. Prices subject to change without notice.



Replaces Toro Reelmaster 5510-G Parts

*Traction Unit
Front Frame*



Item No	R&R Part No.	OEM Part No.	Description	Qty Req	Price Each	Order Quantity
86	R301504	2296-42, 301504, 32127-24, 32128-33, 32146-17, 3296-16, 3296-42, 3296-42 , 915661P	Locknut - ESNA 1/4-20	2	0.18	
86	R32128-33	32128-33	Nut - 1/4-20 Flanged Serr	2	0.70	
87	R110-8972	110-8972	Hook-Latch	1	5.35	
89	R151712	108-6471, 112-9177, 94-9024	LED Oval Work Light - 12 LED 30w	2	78.25	
90	R2412-36	2210-87, 2412-36, 31-9140, 93-5818, 99-0772	Clamp - Hose 1/2	1	2.75	
91	R304-46	304-46	Draincock	1	5.30	
93	R240-11	240-11	Bushing - Rubber - Flanged	2	2.45	
94	R66-8010	66-8010	Spacer	2	3.20	
96	R94-5780	94-5780	Bolt - 5/16-18 x 1 3/4 Hx Fl	3	2.35	
97	R107-4543	107-4543	Clamp	2	6.30	
98	R110-0986	110-0986	Decal - Cover Plate	1	5.85	
99	R108-1605	108-1605	Bumper-Recess	1	5.85	
100	R310266	3256-23, 3256-3, 3556-3	Washer - Flat 5/16 USS	1	0.23	

All original equipment manufacturers names and part numbers are used for identification purposes only, and we are in no way implying that our products are original equipment parts. Prices subject to change without notice.



Replaces Toro Reelmaster 5510-G Parts

*Traction Unit
Front Frame*



Item No	R&R Part No.	OEM Part No.	Description	Qty Req	Price Each	Order Quantity
101	R400190	01-150-0720, 01-178-0510, 30-8680, 322-6, 513343	Bolt - Hex HD 5/16-18 x 1-1/4 GR5	1	0.40	
102	R3234-29	3234-17, 3234-29	Bolt - 5/16-18x1 Serr Hex	4	1.65	
103	R322-17	322-17	Bolt	8	2.35	
104	R87-6630	87-6630	Washer	2	0.59	
105	R106-9518	106-9518	Screw-Prh	2	1.25	
106	R110-8924	110-8924	Decal-Danger	1	13.30	

All original equipment manufacturers names and part numbers are used for identification purposes only, and we are in no way implying that our products are original equipment parts. Prices subject to change without notice.