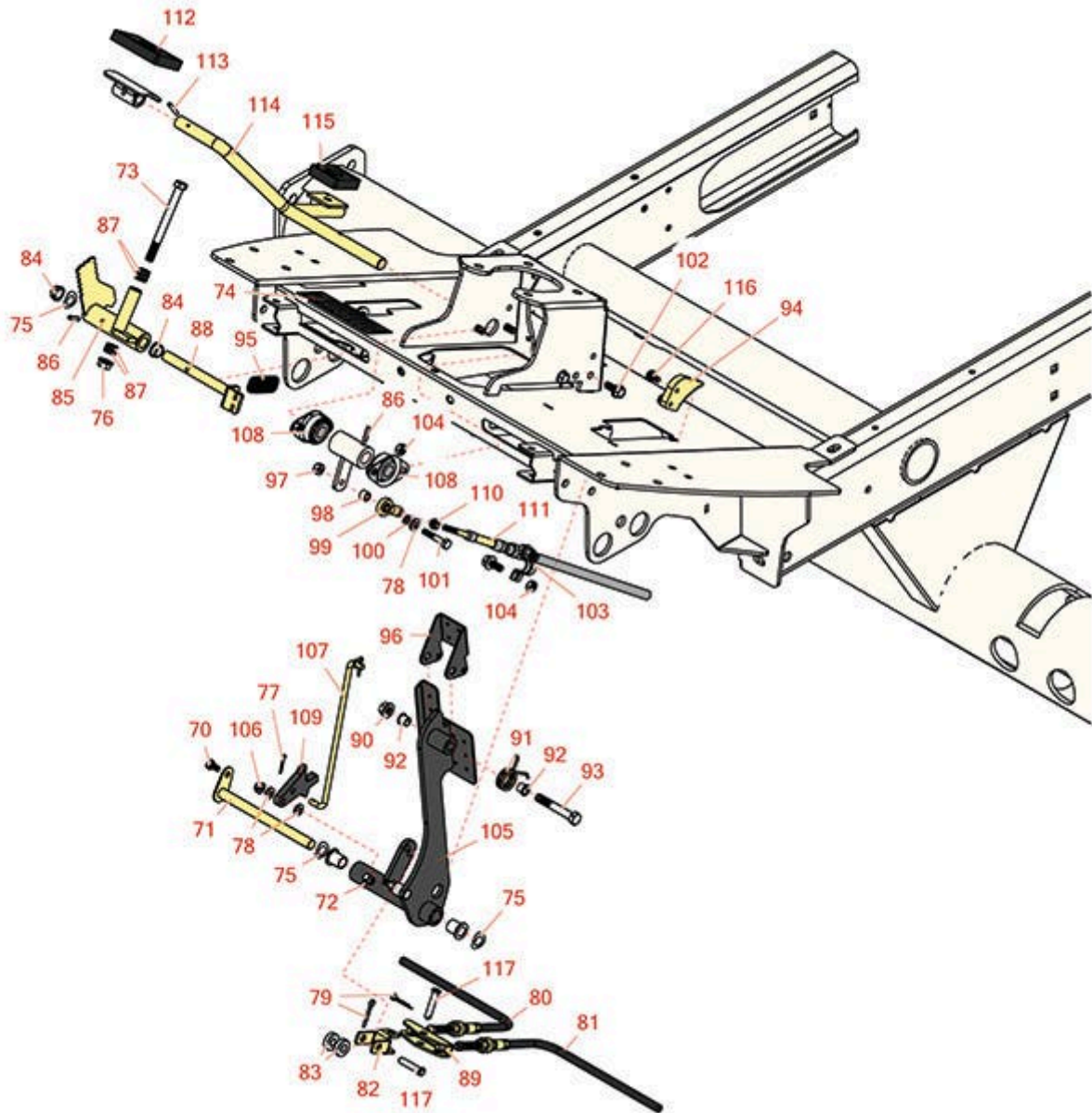




Replaces Toro Reelmaster 5510-G Parts

Traction Unit
Traction Pedals



All original equipment manufacturers names and part numbers are used for identification purposes only, and we are in no way implying that our products are original equipment parts. Prices subject to change without notice.



Replaces Toro Reelmaster 5510-G Parts

Traction Unit
Traction Pedals



Item No	R&R Part No.	OEM Part No.	Description	Qty Req	Price Each	Order Quantity
---------	--------------	--------------	-------------	---------	------------	----------------

Other Parts Available

70	R300403	32144-4, 32144-63, 49-2040	Bolt - Hex HD 1/4-20 x 1/2	1	0.35	
71	R104-7179	104-7179, 99-7169	Pivot-Pedal	1	19.90	
72	R302-60	302-60	Zerk - Grease 90 Deg.	1	0.68	
73	R323-17	323-17	Bolt - Hex HD 3/8-16 x 4	1	3.25	
74	R110-8921	110-8921	Decal-Speed, Mow	1	6.75	
75	R110-8982	110-8982	Washer - Spring	2	2.85	
76	R3296-39	32127-25, 32128-36, 3290-357, 3296-17, 3296-22, 3296-39, 915663P, 99-7443	Locknut - 3/8-16 Nylon	1	1.40	
77	R1023-4	01-151-0150, 1023-4, 19-6220, 214-14, 215-54, 28-9-D, 3272-4, 3272-6, 513567, 932008P	Pin - Cotter 3/32 x 3/4	1	0.23	
78	R3256-22	24-9-BD, 3-1032, 3256-1, 3256-22, 93-0954, 93-0989	Washer - Flat 1/4 Yellow	3	0.12	

All original equipment manufacturers names and part numbers are used for identification purposes only, and we are in no way implying that our products are original equipment parts. Prices subject to change without notice.



Replaces Toro Reelmaster 5510-G Parts

Traction Unit
Traction Pedals



Item No	R&R Part No.	OEM Part No.	Description	Qty Req	Price Each	Order Quantity
79	R3272-10	01-151-0120, 105-7512, 3272-10, N/A	Pin - Cotter 1/8 x 3/4	2	0.13	
80	R117-0106	117-0106	Cable - Brake - RH	1	72.45	
<i>Tech Note: Fits 2010 & Up:</i>						
81	R117-0107	117-0107	Cable - Brake - LH	1	72.45	
<i>Tech Note: Fits 2010 & Up:</i>						
83	R5-0652	5-0652	Spacer	2	4.80	
84	R256-156	256-156, 256-219	Bushing - Flanged	2	6.80	
85	R115-8059	115-8059	Yoke - Cable	1	8.10	
85	R117-8066	117-8066	Mow-Stop	1	63.60	
86	R32121-6	32121-6	Pin - Roll 3/16 x 1-1/4	2	0.46	
87	R62-4420	62-4420	Washer	8	4.35	
88	R106-3731	106-3731	Rod-Pivot	1	21.80	
89	R115-8060	115-8060	Clevis - Double	1	11.30	
90	R104-8301	104-8301, 104-9301, 109-6658, 133-7570	Locknut - 3/8-16 Nylon Flanged	1	0.84	
91	R99-7140	99-7140	Spring-Torsion	1	12.30	
92	R52-2891	52-2891	Bushing- Nylon	1	2.35	

All original equipment manufacturers names and part numbers are used for identification purposes only, and we are in no way implying that our products are original equipment parts. Prices subject to change without notice.



Replaces Toro Reelmaster 5510-G Parts

*Traction Unit
Traction Pedals*



Item No	R&R Part No.	OEM Part No.	Description	Qty Req	Price Each	Order Quantity
93	R101526	01-150-0970, 01-178-0620, 101526, 20-53-AGD, 321-11, 3224-8, 323-11, 323-12, 323-31, 323-4, 323-47	Bolt - Hex HD 3/8-16 x 2-1/2 GR5	1	0.91	
94	R99-7214	99-7214	Pawl - Brake	1	21.75	
95	R92-7305	92-7305	Spring-Extension	1	5.70	
96	R99-7963-03	99-7963-03	Pedal - Park	1	14.85	
97	R301504	2296-42, 301504, 32127-24, 32128-33, 32146-17, 3296-16, 3296-42, 3296-42 , 915661P	Locknut - ESNA 1/4-20	1	0.18	
98	R66-8010	66-8010	Spacer	1	3.20	
99	R2411-41	2411-41	Rod End - Ball Joint	1	22.35	
100	R24M7139	24M7139, 3256-16, 33093-00, 43-5930	Washer - Flat 6mm	1	0.70	
100	R6050-103	48-8010, 48-8030	Washer - Flat	1	0.23	
101	R400116	20-7-AD, 30-9680, 321-69, 321-9, 3222-3, 400116	Bolt - Hex HD 1/4-20 x 1-1/2	1	0.65	

All original equipment manufacturers names and part numbers are used for identification purposes only, and we are in no way implying that our products are original equipment parts. Prices subject to change without notice.



Replaces Toro Reelmaster 5510-G Parts

*Traction Unit
Traction Pedals*



Item No	R&R Part No.	OEM Part No.	Description	Qty Req	Price Each	Order Quantity
102	R3234-5	3234-5, 62-3310	Bolt - 5/16-18x3/4 Hx Ser Was HD	6	0.74	
103	R93-2092	93-2092	Clamp - Cable	1	3.95	
104	R3296-29	1-804256, 3290-357, 3296-29, 915662P	Locknut - 5/16-18 ESNA	4	2.95	
105	R115-0120-03	115-0120-03	Pedal - Brake	1	90.60	
106	R104-7201	104-7201	Locknut - 1/4-20 ESNA Flanged	1	0.62	
107	R115-0129	115-0129	Rod-Pawl - Brake	1	20.45	
108	R256-236	256-236, Oct-40	Bearing - 5/8 Flanged 2 Bolt	2	23.85	
109	R117-0238	117-0238	Detent	1	8.10	
110	R3220-1	3220-1	Nut - 1/4-28 Jam	1	0.14	
111	R107-2084	107-2084	Traction Cable Assy	1	82.20	
112	R74-9100	74-9100	Rubber Foot Pad - Forward	1	10.95	
113	R32121-45	32121-113, 32121-45, 32121-92	Pin - Spring Roll 5/32 x 1	1	0.24	
114	R106-3840	106-3840	Pedal-Traction	1	48.60	
115	R74-9110	74-9110	Rubber Foot Pad - Reverse	1	9.30	
116	R3234-13	3234-13, 960151P	Bolt - Flanged Hex 1/4-20	2	0.77	
117	R283-14	283-14	Pin - Clevis	2	3.65	

All original equipment manufacturers names and part numbers are used for identification purposes only, and we are in no way implying that our products are original equipment parts. Prices subject to change without notice.