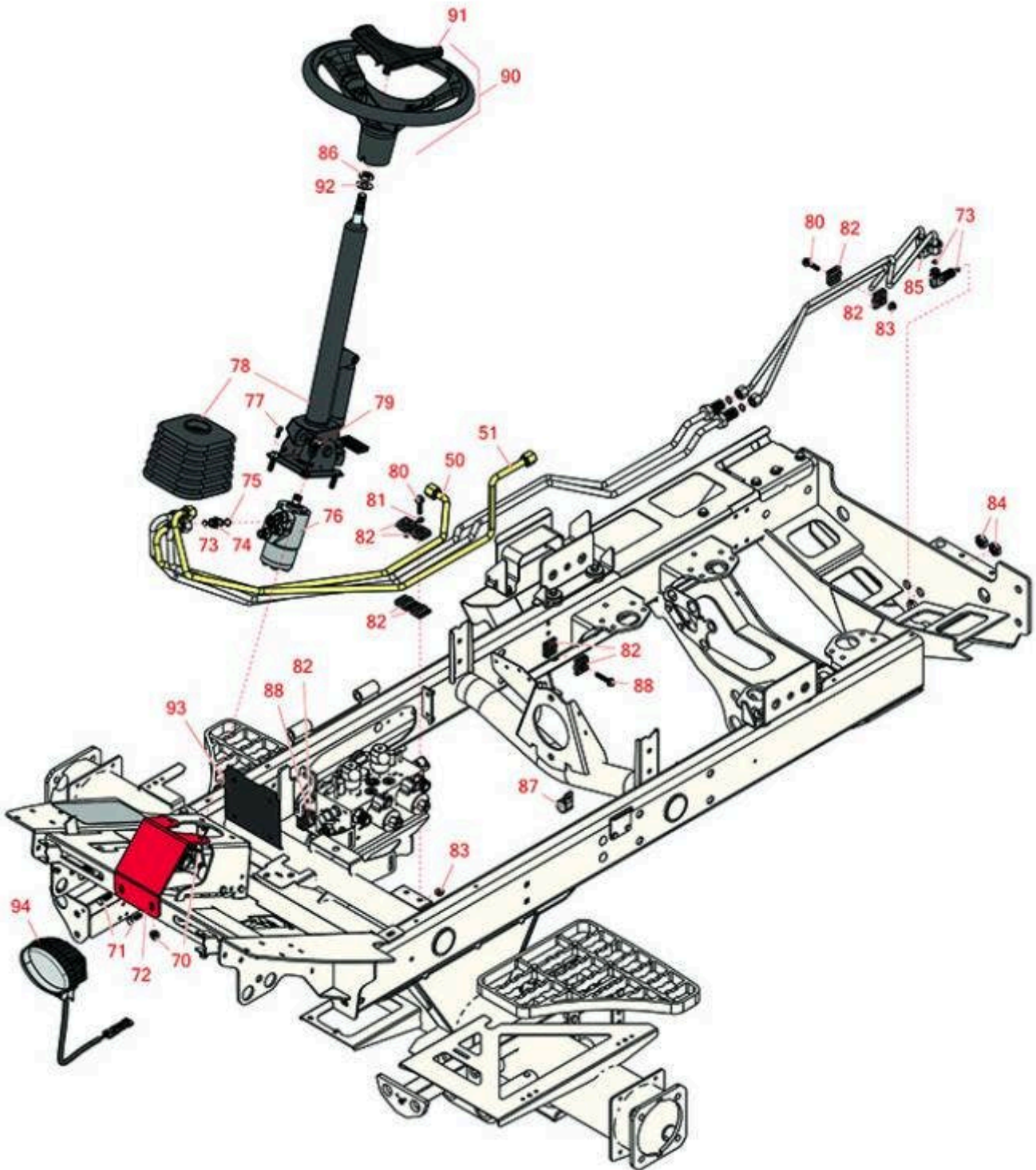




# Replaces Toro Reelmaster 5510-G Parts

Traction Unit  
Steering Column



All original equipment manufacturers names and part numbers are used for identification purposes only, and we are in no way implying that our products are original equipment parts. Prices subject to change without notice.



# Replaces Toro Reelmaster 5510-G Parts

Traction Unit  
Steering Column



Item No	R&R Part No.	OEM Part No.	Description	Qty Req	Price Each	Order Quantity
<b>Hoses</b>						
50	<b>R108-1710</b>	108-1710	Tube Assy	1	<b>61.95</b>	
51	<b>R108-1711</b>	108-1711	Tube Assy	1	<b>78.35</b>	
<b>Other Parts Available</b>						
70	<b>R104-8301</b>	104-8301, 104-9301, 109-6658, 133-7570	Locknut - 3/8-16 Nylon Flanged	14	<b>0.84</b>	
71	<b>R3234-11</b>	3234-11	Bolt - Hex Washer HD	2	<b>1.05</b>	
72	<b>R110-8876-01</b>	110-8876-01	Brace - Column	1	<b>30.60</b>	
73	<b>R237-22</b>	107-8844, 237-22, 237-78	O-Ring	4	<b>0.62</b>	
74	<b>R340-2</b>	340-2, 60-1920	Hydraulic Fitting - Striaight	4	<b>6.50</b>	
75	<b>R237-42</b>	237-42, 31-4160	O-Ring	4	<b>0.80</b>	
76	<b>R106-3621</b>	106-3621	Valve - Steering	1	<b>499.90</b>	
77	<b>R105-2409</b>	105-2409	M6-1.0 x 16 Socket HD C/S Pln	4	<b>1.20</b>	
78	<b>R106-3622</b>	106-3622	Column Assy - Tilt	1	<b>435.85</b>	
79	<b>R3274-1</b>	3274-1	Bolt - 3/8-16 x 1 1/4 Soc HD Cap	4	<b>4.95</b>	
80	<b>R322-7</b>	01-150-0750, 01-150-0760, 01-178-0512, 20-28-AD, 20-28-AGD, 322-7, 3223-4	Bolt - Hex HD 5/16-18 x 1-1/2	2	<b>0.62</b>	

All original equipment manufacturers names and part numbers are used for identification purposes only, and we are in no way implying that our products are original equipment parts. Prices subject to change without notice.



# Replaces Toro Reelmaster 5510-G Parts

*Traction Unit  
Steering Column*



Item No	R&R Part No.	OEM Part No.	Description	Qty Req	Price Each	Order Quantity
81	<b>R453009</b>	01-166-0400, 24-10-BD, 24-9-AD, 32-9650, 3256-2, 3256-23, 3256-3, 3256-67, 3290-217, 3556-3, 4-2390, 7-0152	Washer - Flat 5/16 SAE	2	<b>0.13</b>	
82	<b>R56-7973</b>	56-7973	Clamp - Tube	6	<b>13.95</b>	
83	<b>R104-8300</b>	104-8300, 104-8300 , 119-4041	Locknut - 5/16-18 Flanged Y/Zinc	3	<b>0.47</b>	
84	<b>R340-70</b>	340-70	Nut - Lock	4	<b>2.30</b>	
85	<b>R340-154</b>	340-154, 93-9150	Union - Bulkhead	2	<b>24.65</b>	
86	<b>R3296-33</b>	3296-33	Locknut - 5/8-18 ESNA Jam	1	<b>1.30</b>	
87	<b>R2412-4</b>	2412-4, Oct-70, Oct-80	Clamp - 3/4 in	1	<b>4.20</b>	
88	<b>R32144-57</b>	32144-57	Bolt - Hex Washer 5/16-18 x 1-1/2	1	<b>1.45</b>	
90	<b>R98-1471</b>	93-5212, 94-3500, 98-1471	Steering Wheel Assy - 14 in Incl Cap	1	<b>92.30</b>	
91	<b>R98-1468</b>	98-1468	Cap - 14" Steering Wheel	1	<b>13.15</b>	
92	<b>R3256-27</b>	24-15-BD, 32-7820, 3256-27, 7-0131, Jul-78	Washer - Flat 5/8 SAE	1	<b>0.26</b>	

All original equipment manufacturers names and part numbers are used for identification purposes only, and we are in no way implying that our products are original equipment parts. Prices subject to change without notice.



# Replaces Toro Reelmaster 5510-G Parts

*Traction Unit  
Steering Column*



Item No	R&R Part No.	OEM Part No.	Description	Qty Req	Price Each	Order Quantity
93	<b>R110-0947-03</b>	110-0947, 110-0947-03	Plate - Cover	1	<b>11.30</b>	
94	<b>R151712</b>	108-6471, 112-9177, 94-9024	LED Oval Work Light - 12 LED 30w	2	<b>78.25</b>	

All original equipment manufacturers names and part numbers are used for identification purposes only, and we are in no way implying that our products are original equipment parts. Prices subject to change without notice.