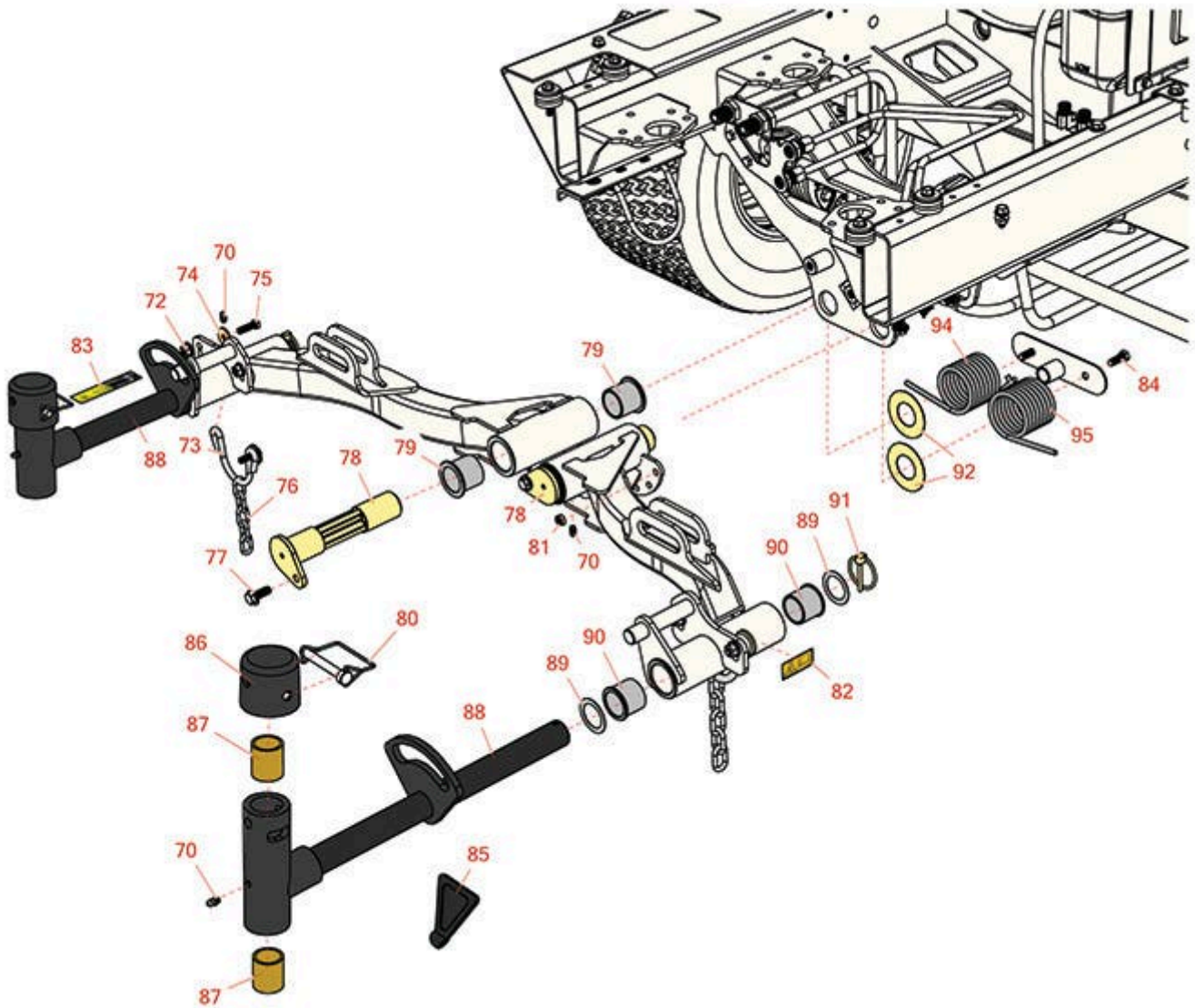




Replaces Toro Reelmaster 5510-G Parts

Traction Unit
Rear Lift Arm



All original equipment manufacturers names and part numbers are used for identification purposes only, and we are in no way implying that our products are original equipment parts. Prices subject to change without notice.



Replaces Toro Reelmaster 5510-G Parts

Traction Unit
Rear Lift Arm



Item No	R&R Part No.	OEM Part No.	Description	Qty Req	Price Each	Order Quantity
---------	--------------	--------------	-------------	---------	------------	----------------

Other Parts Available

70	R302-5	21-6010, 302-11, 302-37, 302-47, 302-5, 302-57, 302-58, 302-6, 31-0300, 32-9660, 60-0800, 62-3880, 92-4181	Fitting - Grease	4	0.27	
72	R104-8301	104-8301, 104-9301, 109-6658, 133-7570	Locknut - 3/8-16 Nylon Flanged	4	0.84	
73	R110-0922	110-0922	Hoop - Chain	2	8.35	
74	R63-8410	53-6380, 63-4810, 63-8410	Washer - Isolator Bushing	4	0.77	
75	R400264	01-150-0180, 01-178-0610, 20-48-AD, 20-48-AGD, 32-9160, 3224-3, 323-29, 323-7, 400264, 908035P	Bolt - Hex HD 3/8-16 x 1-1/4	4	0.40	
76	R84-2451	84-2451	Chain - Straight 5	2	4.75	
77	R32144-14	32104-32, 32104-49, 32144-14	Bolt - Hex Washer 5/16-18 x 5/8	2	2.45	
78	R125-2037	125-2037	Shaft	2	52.50	

All original equipment manufacturers names and part numbers are used for identification purposes only, and we are in no way implying that our products are original equipment parts. Prices subject to change without notice.



Replaces Toro Reelmaster 5510-G Parts

*Traction Unit
Rear Lift Arm*



Item No	R&R Part No.	OEM Part No.	Description	Qty Req	Price Each	Order Quantity
79	R69-6470	69-6470	Bushing - Flanged	4	6.15	
80	R107-7400	107-7400	Pin - Lynch	2	6.95	
81	R3296-29	1-804256, 3290-357, 3296-29, 915662P	Locknut - 5/16-18 ESNA	2	2.95	
82	R93-6696	93-6696	Decal - Warning	2	8.75	
83	R110-9642	110-9642	Decal	2	8.70	
84	R3234-11	3234-11	Bolt - Hex Washer HD	2	1.05	
85	R110-4088-03	110-4088-03, 119-8010-03	Kickstand	1	21.25	
86	R107-4027	107-4027	Cap - Pivot Yoke	2	14.25	
87	R256-254	256-254	Bushing 1-1/8 x 1.375 x 1.5	4	5.15	
88	R107-2052	107-2052, 138-1248	Pivot Yoke Assy	2	250.95	
89	R76-2980	76-2980	Washer - Thrust	4	4.55	
90	R104-0015	104-0015, 104-8339	Bushing - Flanged	4	5.15	
91	R92-1298	92-1298	Pin - Klik	2	2.45	
92	R110-5345	110-5345	Washer	2	2.50	
94	R99-5608-03	99-5608, 99-5608-03	Spring-Torsion, RH	1	19.15	
95	R99-5609-03	99-5609, 99-5609-03	Spring-Torsion, LH	1	19.15	

All original equipment manufacturers names and part numbers are used for identification purposes only, and we are in no way implying that our products are original equipment parts. Prices subject to change without notice.