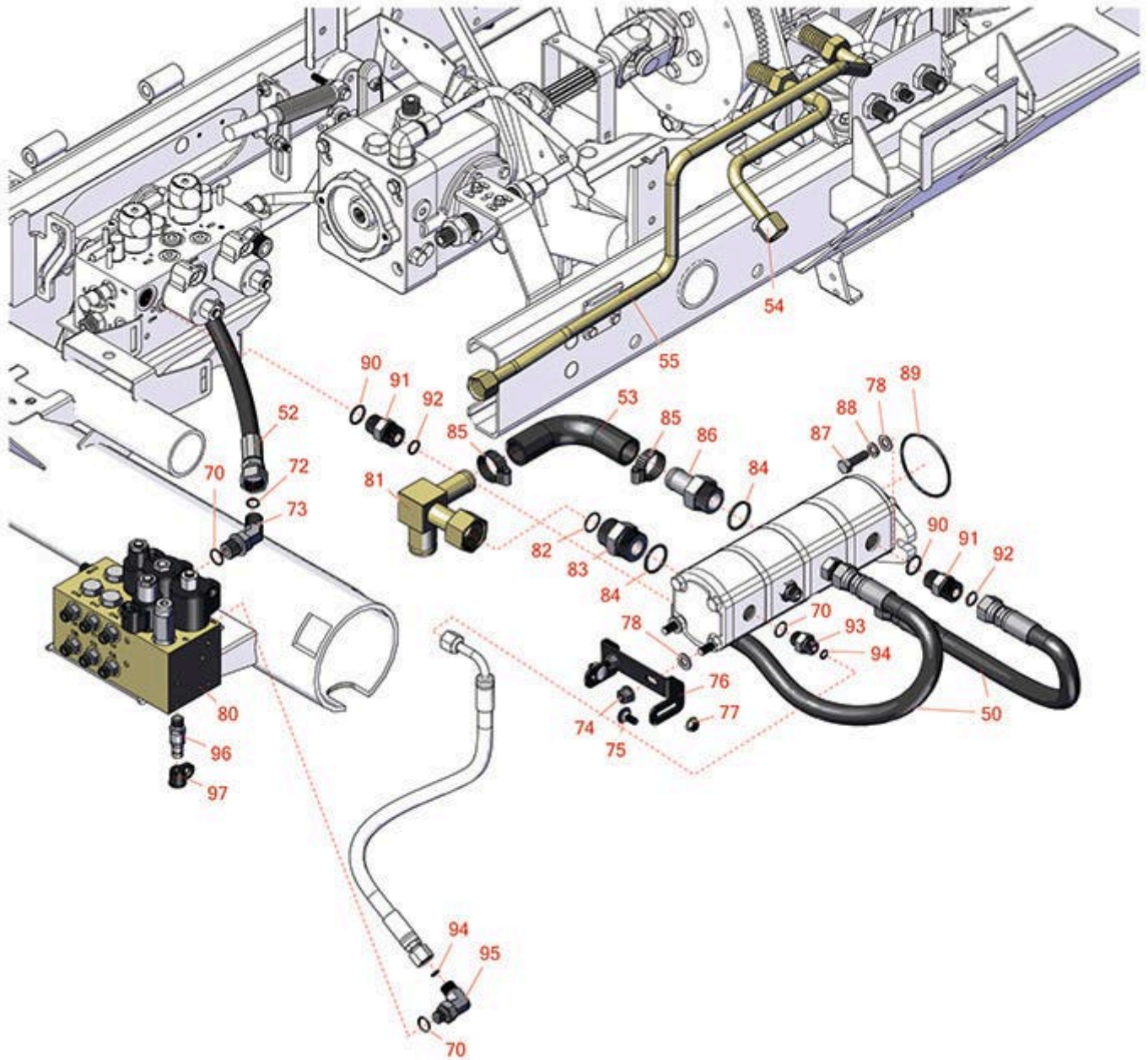




Replaces Toro Reelmaster 5510-G Parts

Traction Unit

Gear Pump & Hydraulic Lift Block



All original equipment manufacturers names and part numbers are used for identification purposes only, and we are in no way implying that our products are original equipment parts. Prices subject to change without notice.



Replaces Toro Reelmaster 5510-G Parts

Traction Unit

Gear Pump & Hydraulic Lift Block



Item No	R&R Part No.	OEM Part No.	Description	Qty Req	Price Each	Order Quantity
Hoses						
50	R108-1686	108-1686	Hydraulic Hose Assy	1	69.25	
52	R117-0180	117-0180	Hydraulic Hose Assy	1	58.95	
53	R108-1683	108-1683	Hose - Formed	1	29.10	
54	R117-0140	117-0140	Tube Assy	1	86.75	
55	R117-0141	117-0141	Tube Assy	1	100.35	
Other Parts Available						
70	R237-79	237-79	O-Ring	6	1.50	
72	R237-30	23-6320, 237-30	O-Ring - Seal	1	0.78	
73	R340-101	340-101	Hydraulic Fitting	1	17.15	
74	R103-9511	103-9511	Nut - Lock	2	1.20	
75	R3230-1	01-173-0506, 3230-1, 3230-20, 900037P	Bolt - Carriage 5/16-18 x 3/4	2	0.62	
76	R108-1801-01	108-1801-01	Bracket-Support - Pump	1	18.65	
77	R104-8300	104-8300, 104-8300 , 119-4041	Locknut - 5/16-18 Flanged Y/Zinc	2	0.47	

All original equipment manufacturers names and part numbers are used for identification purposes only, and we are in no way implying that our products are original equipment parts. Prices subject to change without notice.



Replaces Toro Reelmaster 5510-G Parts

Traction Unit

Gear Pump & Hydraulic Lift Block



Item No	R&R Part No.	OEM Part No.	Description	Qty Req	Price Each	Order Quantity
78	R453011	01-166-0100, 01-166-0120, 01-166-0270, 01-166-0500, 01-166-0600, 01-166-0620, 132-4593, 2356-3, 237-12, 24-10-AD, 24-11-AD, 24-11-BD, 24-12-AD, 24-12-BD, 30-9310, 32-8190, 3256-24, 3256-3, 3256-36, 3256-4, 453011, 47-9950, 48-9220, 513458, 7-0052	Washer - Flat 3/8 SAE Y/Zinc	4	0.11	
80	R105-7577	105-7577	Manifold Assy - Lift Blocks	1	1845.95	
81	R108-1672	108-1672	Manifold-Tube	1	146.10	
82	R340-65	340-65	O-Ring	1	0.86	
83	R104-3797	104-3797	Hydraulic Fitting - Striaght	1	19.90	
84	R237-146	237-146, 340-146	O-Ring	2	1.45	
85	R2412-34	2412-34, 31-0120	Clamp - Hose .75-1.5	1	1.50	
86	R354-78	354-78	Connector-Hose	1	27.35	
87	R3274-1	3274-1	Bolt - 3/8-16 x 1 1/4 Soc HD Cap	2	4.95	

All original equipment manufacturers names and part numbers are used for identification purposes only, and we are in no way implying that our products are original equipment parts. Prices subject to change without notice.



Replaces Toro Reelmaster 5510-G Parts

Traction Unit

Gear Pump & Hydraulic Lift Block



Item No	R&R Part No.	OEM Part No.	Description	Qty Req	Price Each	Order Quantity
88	R3254-6	01-166-0010, 01-166-0280, 01-166-0610, 3253-5, 3254-18, 3254-6, 3290-223, 48-9370	Washer - Lock 3/8	2	0.08	
89	R237-161	237-161	O-Ring	1	3.65	
90	R237-80	237-80, 327-80	O-Ring	4	1.85	
91	R340-7	340-7	Adapter	4	9.65	
92	R237-65	237-65, 237.65	O-Ring	4	0.65	
93	R340-3	340-3	Hydraulic Fitting - Adapter Connector	2	8.05	
94	R237-22	107-8844, 237-22, 237-78	O-Ring	4	0.62	
95	R340-18	340-18	Hydraulic Fitting	1	20.95	
96	R59-7410	59-7410	Tip-Nipple	1	20.15	
97	R354-79	354-79	Cap-Dust	1	4.85	

All original equipment manufacturers names and part numbers are used for identification purposes only, and we are in no way implying that our products are original equipment parts. Prices subject to change without notice.