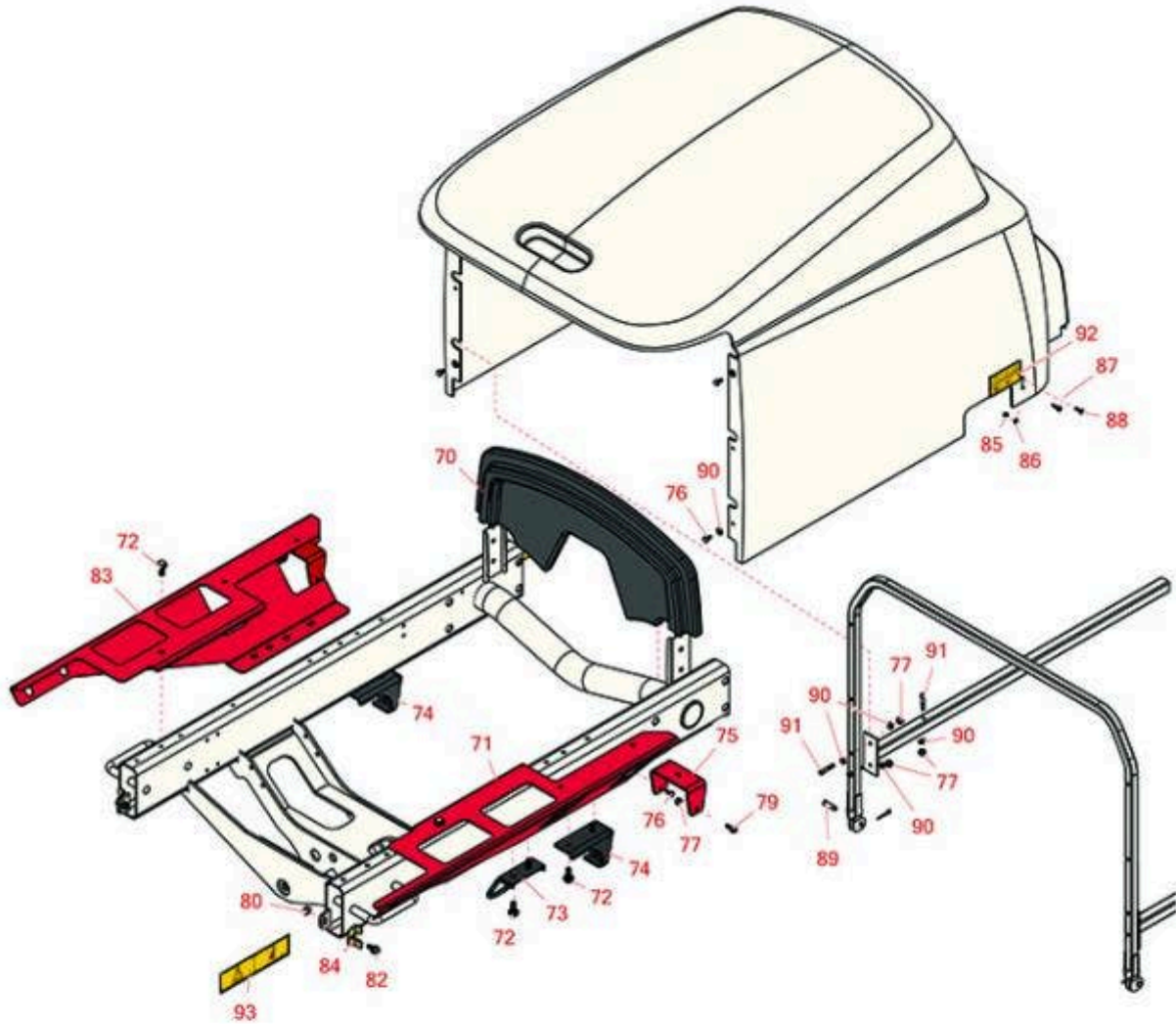




# Replaces Toro Reelmaster 5510-G Parts

Traction Unit  
Hood & Body



All original equipment manufacturers names and part numbers are used for identification purposes only, and we are in no way implying that our products are original equipment parts. Prices subject to change without notice.



# Replaces Toro Reelmaster 5510-G Parts

Traction Unit  
Hood & Body



Item No	R&R Part No.	OEM Part No.	Description	Qty Req	Price Each	Order Quantity
---------	--------------	--------------	-------------	---------	------------	----------------

## Other Parts Available

70	<b>R108-7587</b>	108-7587	Saddle-Hood	1	<b>91.50</b>	
71	<b>R110-5254-01</b>	110-5254-01	Adapter-Hood, RH	1	<b>82.95</b>	
72	<b>R32144-14</b>	32104-32, 32104-49, 32144-14	Bolt - Hex Washer 5/16-18 x 5/8	8	<b>2.45</b>	
73	<b>R110-8999</b>	110-8999	Muffler Guard	1	<b>22.30</b>	
74	<b>R110-0979-03</b>	110-0979-03	Bracket-Deflector	2	<b>22.80</b>	
75	<b>R110-5256-01</b>	110-5256-01	Bracket - Latch - Hood	2	<b>17.85</b>	
76	<b>R12-3270</b>	12-3270, 30-0700, 32104-17, 9266714, Aug-80	Bolt - Hex Washer 1/4-20 x 1/2	6	<b>1.45</b>	
77	<b>R301504</b>	2296-42, 301504, 32127-24, 32128-33, 32146-17, 3296-16, 3296-42, 3296-42 , 915661P	Locknut - ESNA 1/4-20	8	<b>0.18</b>	
77	<b>R104-7201</b>	104-7201	Locknut - 1/4-20 ESNA Flanged	8	<b>0.62</b>	
79	<b>R3234-33</b>	3234-33	Bolt - 1/4-20 x 3/4 Serr Hex Flanged	2	<b>0.51</b>	
80	<b>R104-8300</b>	104-8300, 104-8300 , 119-4041	Locknut - 5/16-18 Flanged Y/Zinc	6	<b>0.47</b>	
82	<b>R3234-5</b>	3234-5, 62-3310	Bolt - 5/16-18x3/4 Hx Ser Was HD	6	<b>0.74</b>	
83	<b>R110-5253-01</b>	110-5253-01	Adapter-Hood, LH	1	<b>82.95</b>	

All original equipment manufacturers names and part numbers are used for identification purposes only, and we are in no way implying that our products are original equipment parts. Prices subject to change without notice.



# Replaces Toro Reelmaster 5510-G Parts

*Traction Unit  
Hood & Body*



Item No	R&R Part No.	OEM Part No.	Description	Qty Req	Price Each	Order Quantity
84	<b>R110-8946</b>	110-8946	Clamp - Radiator Frame	2	<b>10.75</b>	
85	<b>R3296-12</b>	32127-20, 3296-12	Nut - 10-32 Nylon Lock	4	<b>0.55</b>	
86	<b>R3256-14</b>	24-7-BD, 32125-2, 3256-14, 3256-51, 51-2170	Washer - 10 Flat	4	<b>0.34</b>	
88	<b>R32105-13</b>	32105-13	Screw - Hx Was HD 10-32 x 3/4	4	<b>1.05</b>	
89	<b>R283-61</b>	283-61, 86-2140, N/A, R3296-12	Pin - Clevis 5/16 x 1-1/8	2	<b>0.78</b>	
90	<b>R3256-22</b>	24-9-BD, 3-1032, 3256-1, 3256-22, 93-0954, 93-0989	Washer - Flat 1/4 Yellow	12	<b>0.12</b>	
91	<b>R3234-21</b>	3234-21	Bolt - Hx HD Fl 1/4-20 x 1 1/4	6	<b>1.95</b>	
92	<b>R106-6754</b>	106-6754	Decal - Danger	1	<b>5.85</b>	
93	<b>R93-6689</b>	01-506-0540, 75-5190, 92-5955, 93-6689, 93-9867	Decal - No Riders	1	<b>6.45</b>	

All original equipment manufacturers names and part numbers are used for identification purposes only, and we are in no way implying that our products are original equipment parts. Prices subject to change without notice.