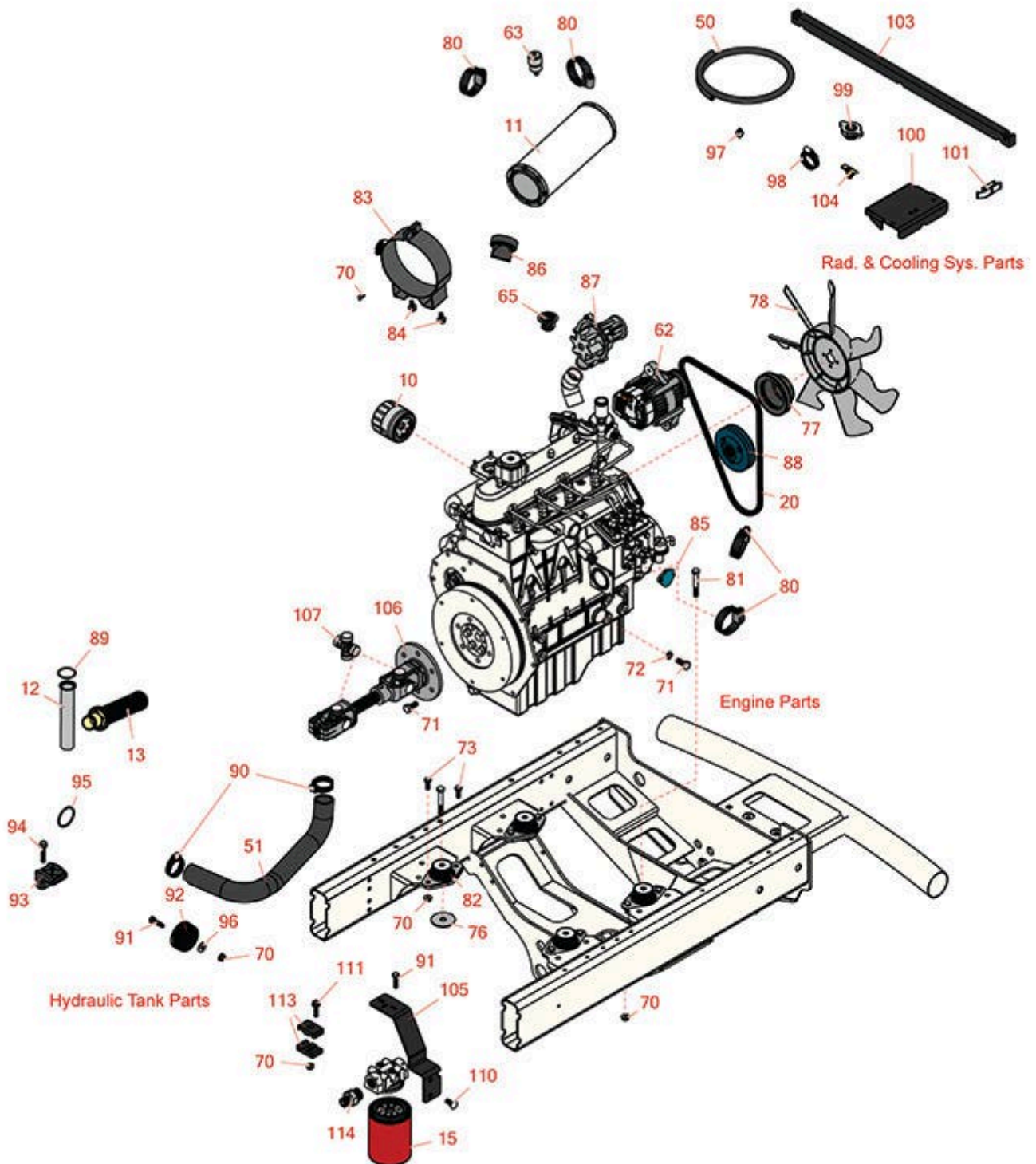




Replaces Toro Reelmaster 5510-G Parts

Traction Unit

Engine Air Cleaner, Intake & Exhaust



All original equipment manufacturers names and part numbers are used for identification purposes only, and we are in no way implying that our products are original equipment parts. Prices subject to change without notice.



Replaces Toro Reelmaster 5510-G Parts

Traction Unit

Engine Air Cleaner, Intake & Exhaust



Item No	R&R Part No.	OEM Part No.	Description	Qty Req	Price Each	Order Quantity
Filters						
10	R42-9030	104-5167, 108-3841, 127-0511, 42-9030, 67-4330, 98-9651	Baldwin Oil Filter - Engine	1	7.60	
11	R5000919	108-3810, 1083810, 98-9763, 989763	Baldwin Air Filter Element	1	26.95	
11	RRF10143	108-3810, 1083810, 98-9763, 989763	SilverGuard Air Filter Element	1	15.15	
12	R61-2790	61-2790	Screen - Filler - Hyd Oil	1	27.45	
13	R105-0131	105-0131	Strainer-Tank - Oil	1	98.85	
15	R86-3010	23-9740, 239470, 28-1370, 281370, 353-387, 353387, 54-0110, 540110, 76-6490, 86-3010, 863010, Dec-70	Baldwin Hydraulic Oil Filter	1	10.20	
Belts						
20	RX1628297010	127-0426, 98-9676	Kubota V-Belt	1	18.05	
Hoses						
50	R110-3257	110-3257, 63-7630	Hose-Fuel	1	8.90	

All original equipment manufacturers names and part numbers are used for identification purposes only, and we are in no way implying that our products are original equipment parts. Prices subject to change without notice.



Replaces Toro Reelmaster 5510-G Parts

Traction Unit

Engine Air Cleaner, Intake & Exhaust



Item No	R&R Part No.	OEM Part No.	Description	Qty Req	Price Each	Order Quantity
50	R109-0308	109-0308	Fuel Hose	1	6.80	
51	R108-1685	108-1685	Hose - Formed	1	44.45	
Gauges and Controls						
62	R121-3811	121-3811	Alternator Assy	1	467.35	
63	R93-9164	93-9164	Indicator - Service - Air Filter	1	34.20	
65	RX1943473014	105-2881, 98-7438, 98-7778, 98-9715	Kubota Thermostat Assy	1	29.95	
Other Parts Available						
70	R104-8300	104-8300, 104-8300, 119-4041	Locknut - 5/16-18 Flanged Y/Zinc	15	0.47	
71	R43-0090	43-0090, 95-8812	Bolt - 10mm x 1.25 x 25 Hex HD	13	7.40	
72	R48-9590	01-176-0040, 42-9600, 48-9590, 48-9690, 63-7780	Washer - Lock 10mm	13	0.41	
73	R322-4	322-4, 3290-115, 908018P	Bolt - Hex HD 5/16-18 x 7/8	8	0.47	
76	R87-5100	87-5100	Washer - Snubbing	4	2.50	
77	RX1624174250	110-0972, 98-9584, 99-3453	Kubota Pulley - Fan	1	45.93	
78	RX1629274110		Kubota Fan	1	74.62	
78	RX1628574110	110-0966	Kubota Fan - Suction 370mm	1	77.09	

All original equipment manufacturers names and part numbers are used for identification purposes only, and we are in no way implying that our products are original equipment parts. Prices subject to change without notice.



Replaces Toro Reelmaster 5510-G Parts

Traction Unit

Engine Air Cleaner, Intake & Exhaust



Item No	R&R Part No.	OEM Part No.	Description	Qty Req	Price Each	Order Quantity
80	R2412-130	2412-130, 2412-92	Clamp - Hose 1 5/16-2 1/2	4	3.15	
81	R101526	01-150-0970, 01-178-0620, 101526, 20-53-AGD, 321-11, 3224-8, 323-11, 323-12, 323-31, 323-4, 323-47	Bolt - Hex HD 3/8-16 x 2-1/2 GR5	4	0.91	
82	R120-6274	120-6274	Mount - Motor - 215 lb Rating	4	19.40	
83	R100-4825	100-4825	Band-Mounting,-Air Filter	1	39.70	
84	R3234-14	3234-14, 3234-23	Bolt - Hex Serrated Washer HD	2	0.83	
85	R99-3514	99-3514	Cover	1	8.05	
86	R87-9400	87-9400	Valve - Vacuator	1	7.25	
87	R107-9089	104-4885, 107-9089, 108-4426	Water Pump Assy	1	334.80	
88	RX1624974280	105-3745, X1624974280	Kubota Fan Drive Pulley	1	140.72	
89	R237-101	237-101	O-Ring	1	2.15	
90	R2412-111	2412-111	Clamp - Hose - Worm	2	4.15	
91	R400190	01-150-0720, 01-178-0510, 30-8680, 322-6, 513343	Bolt - Hex HD 5/16-18 x 1-1/4 GR5	2	0.40	
92	R108-1605	108-1605	Bumper-Recess	1	5.85	

All original equipment manufacturers names and part numbers are used for identification purposes only, and we are in no way implying that our products are original equipment parts. Prices subject to change without notice.



Replaces Toro Reelmaster 5510-G Parts

Traction Unit

Engine Air Cleaner, Intake & Exhaust



Item No	R&R Part No.	OEM Part No.	Description	Qty Req	Price Each	Order Quantity
93	R107-4543	107-4543	Clamp	1	6.30	
94	R94-5780	94-5780	Bolt - 5/16-18 x 1 3/4 Hx Fl	1	2.35	
95	R340-136	340-136	O-Ring	1	4.35	
96	R453011	01-166-0100, 01-166-0120, 01-166-0270, 01-166-0500, 01-166-0600, 01-166-0620, 132-4593, 2356-3, 237-12, 24-10-AD, 24-11-AD, 24-11-BD, 24-12-AD, 24-12-BD, 30-9310, 32-8190, 3256-24, 3256-3, 3256-36, 3256-4, 453011, 47-9950, 48-9220, 513458, 7-0052	Washer - Flat 3/8 SAE Y/Zinc	1	0.11	
97	R92-2379	92-2379	Clamp - Hose	1	0.41	
98	R2412-34	2412-34, 31-0120	Clamp - Hose .75-1.5	2	1.50	
99	R93-5957	93-5957	Cap - Radiator	2	16.60	
100	R110-5310-01	110-5310-01	Bracket-Mounting	1	36.50	
101	R115-1554	105-3912, 115-1554, 115-1554-01	Latch-Draw	2	21.30	
103	R110-5276	110-5276	Seal-Foam-Radiator	1	12.95	

All original equipment manufacturers names and part numbers are used for identification purposes only, and we are in no way implying that our products are original equipment parts. Prices subject to change without notice.



Replaces Toro Reelmaster 5510-G Parts

Traction Unit

Engine Air Cleaner, Intake & Exhaust



Item No	R&R Part No.	OEM Part No.	Description	Qty Req	Price Each	Order Quantity
104	R304-46	304-46	Draincock	1	5.30	
105	R110-0906-01	110-0906-01	Support -Oil Filter	1	27.90	
106	R108-1641	108-1641	Driveshaft Assy	1	433.30	
107	R54-9180	54-9180, 99-6570	Kit - U-Joint	2	27.90	
110	R3231-27	3231-27	Bolt - Carriage 3/8-16 x 7/8	2	0.53	
111	R3234-36	3234-36	Bolt - 5/16-18 x 1 1/4 Hx HD Flange	1	1.10	
113	R56-7972	56-7972	Clamp - Tube	2	13.60	
114	R100-4240	100-4240	No 8 Orfs Male x No 12 Orb Male	1	32.55	

All original equipment manufacturers names and part numbers are used for identification purposes only, and we are in no way implying that our products are original equipment parts. Prices subject to change without notice.