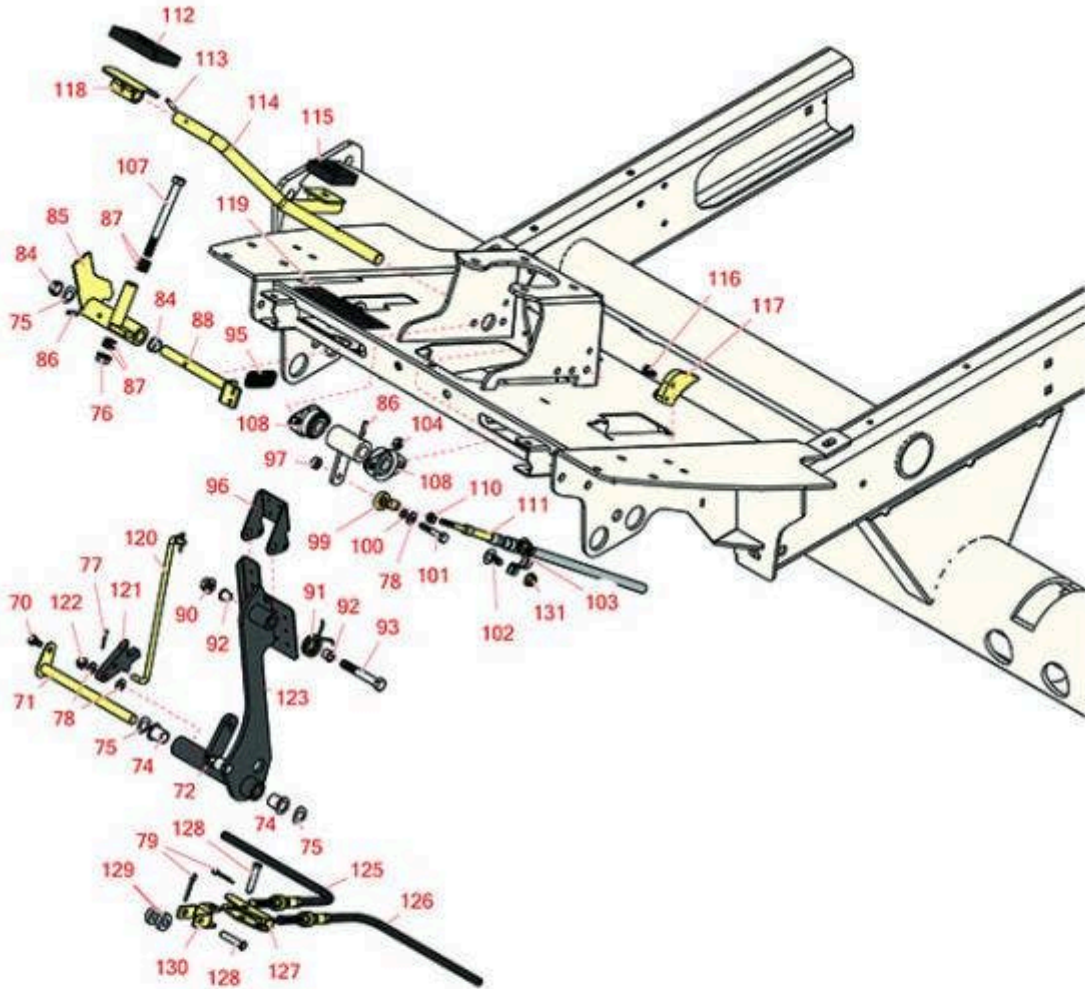




Replaces Toro Reelmaster 5410-D Parts

Traction Unit - with Yanmar Engine

Traction Pedal



All original equipment manufacturers names and part numbers are used for identification purposes only, and we are in no way implying that our products are original equipment parts. Prices subject to change without notice.



Replaces Toro Reelmaster 5410-D Parts

Traction Unit - with Yanmar Engine

Traction Pedal



Item No	R&R Part No.	OEM Part No.	Description	Qty Req	Price Each	Order Quantity
70	R300403	32144-4, 32144-63, 49-2040	Bolt - Hex HD 1/4-20 x 1/2	1	0.35	
71	R104-7179	104-7179, 99-7169	Pivot-Pedal	1	19.90	
72	R302-60	302-60	Zerk - Grease 90 Deg.	1	0.68	
74	R256-155	256-155, 265-155	Bushing - Flanged	2	3.45	
75	R110-8982	110-8982	Washer - Spring	2	2.85	
76	R3296-39	32127-25, 32128-36, 3290-357, 3296-17, 3296-22, 3296-39, 915663P, 99-7443	Locknut - 3/8-16 Nylon	1	1.40	
77	R1023-4	01-151-0150, 1023-4, 19-6220, 214-14, 215-54, 28-9-D, 3272-4, 3272-6, 513567, 932008P	Pin - Cotter 3/32 x 3/4	1	0.23	
78	R3256-22	24-9-BD, 3-1032, 3256-1, 3256-22, 93-0954, 93-0989	Washer - Flat 1/4 Yellow	3	0.12	
79	R3272-10	01-151-0120, 105-7512, 3272-10, N/A	Pin - Cotter 1/8 x 3/4	2	0.13	

All original equipment manufacturers names and part numbers are used for identification purposes only, and we are in no way implying that our products are original equipment parts. Prices subject to change without notice.



Replaces Toro Reelmaster 5410-D Parts

Traction Unit - with Yanmar Engine

Traction Pedal



Item No	R&R Part No.	OEM Part No.	Description	Qty Req	Price Each	Order Quantity
84	R256-156	256-156, 256-219	Bushing - Flanged	2	6.80	
85	R117-8066	117-8066	Mow-Stop	1	63.60	
86	R32121-6	32121-6	Pin - Roll 3/16 x 1-1/4	2	0.46	
87	R62-4420	62-4420	Washer	8	4.35	
88	R106-3731	106-3731	Rod-Pivot	1	21.80	
90	R104-8301	104-8301, 104-9301, 109-6658, 133-7570	Locknut - 3/8-16 Nylon Flanged	1	0.84	
91	R99-7140	99-7140	Spring-Torsion	1	12.30	
92	R52-2891	52-2891	Bushing- Nylon	1	2.35	
93	R101526	01-150-0970, 01-178-0620, 101526, 20-53-AGD, 321-11, 3224-8, 323-11, 323-12, 323-31, 323-4, 323-47	Bolt - Hex HD 3/8-16 x 2-1/2 GR5	1	0.91	
95	R92-7305	92-7305	Spring-Extension	1	5.70	
96	R99-7963-03	99-7963-03	Pedal - Park	1	14.85	
97	R301504	2296-42, 301504, 32127-24, 32128-33, 32146-17, 3296-16, 3296-42, 3296-42, 915661P	Locknut - ESNA 1/4-20	1	0.18	

All original equipment manufacturers names and part numbers are used for identification purposes only, and we are in no way implying that our products are original equipment parts. Prices subject to change without notice.



Replaces Toro Reelmaster 5410-D Parts

Traction Unit - with Yanmar Engine

Traction Pedal



Item No	R&R Part No.	OEM Part No.	Description	Qty Req	Price Each	Order Quantity
99	R2411-41	2411-41	Rod End - Ball Joint	1	22.35	
100	R24M7139	24M7139, 3256-16, 33093-00, 43-5930	Washer - Flat 6mm	1	0.70	
100	R6050-103	48-8010, 48-8030	Washer - Flat	1	0.23	
101	R400116	20-7-AD, 30-9680, 321-69, 321-9, 3222-3, 400116	Bolt - Hex HD 1/4-20 x 1-1/2	1	0.65	
102	R3230-23	3230-23, Mar-61	Bolt - 5/16-18x3/4 - Carriage	6	0.70	
103	R93-2092	93-2092	Clamp - Cable	1	3.95	
104	R3296-29	1-804256, 3290-357, 3296-29, 915662P	Locknut - 5/16-18 ESNA	4	2.95	
107	R323-17	323-17	Bolt - Hex HD 3/8-16 x 4	1	3.25	
108	R256-236	256-236, Oct-40	Bearing - 5/8 Flanged 2 Bolt	2	23.85	
110	R3220-1	3220-1	Nut - 1/4-28 Jam	1	0.14	
111	R107-2084	107-2084	Traction Cable Assy	1	82.20	
112	R74-9100	74-9100	Rubber Foot Pad - Forward	1	10.95	
113	R32121-45	32121-113, 32121-45, 32121-92	Pin - Spring Roll 5/32 x 1	1	0.24	
114	R106-3840	106-3840	Pedal-Traction	1	48.60	

All original equipment manufacturers names and part numbers are used for identification purposes only, and we are in no way implying that our products are original equipment parts. Prices subject to change without notice.



Replaces Toro Reelmaster 5410-D Parts

*Traction Unit - with Yanmar Engine
Traction Pedal*



Item No	R&R Part No.	OEM Part No.	Description	Qty Req	Price Each	Order Quantity
115	R74-9110	74-9110	Rubber Foot Pad - Reverse	1	9.30	
116	R3234-13	3234-13, 960151P	Bolt - Flanged Hex 1/4-20	2	0.77	
117	R99-7214	99-7214	Pawl - Brake	1	21.75	
118	R49-6440-03	117-9507, 49-6440, 49-6440-03	Pedal - Forward Assy	1	34.80	
119	R110-8921	110-8921	Decal-Speed, Mow	1	6.75	
120	R115-0129	115-0129	Rod-Pawl - Brake	1	20.45	
121	R117-0238	117-0238	Detent	1	8.10	
122	R104-7201	104-7201	Locknut - 1/4-20 ESNA Flanged	1	0.62	
123	R115-0120-03	115-0120-03	Pedal - Brake	1	90.60	
125	R117-0106	117-0106	Cable - Brake - RH	1	72.45	
<i>Tech Note: Fits 2010 & Up:</i>						
126	R117-0107	117-0107	Cable - Brake - LH	1	72.45	
<i>Tech Note: Fits 2010 & Up:</i>						
127	R115-8059	115-8059	Yoke - Cable	1	8.10	
128	R283-14	283-14	Pin - Clevis	2	3.65	
129	R5-0652	5-0652	Spacer	2	4.80	
130	R115-8060	115-8060	Clevis - Double	1	11.30	
131	R104-8300	104-8300, 104-8300, 119-4041	Locknut - 5/16-18 Flanged Y/Zinc	2	0.47	

All original equipment manufacturers names and part numbers are used for identification purposes only, and we are in no way implying that our products are original equipment parts. Prices subject to change without notice.