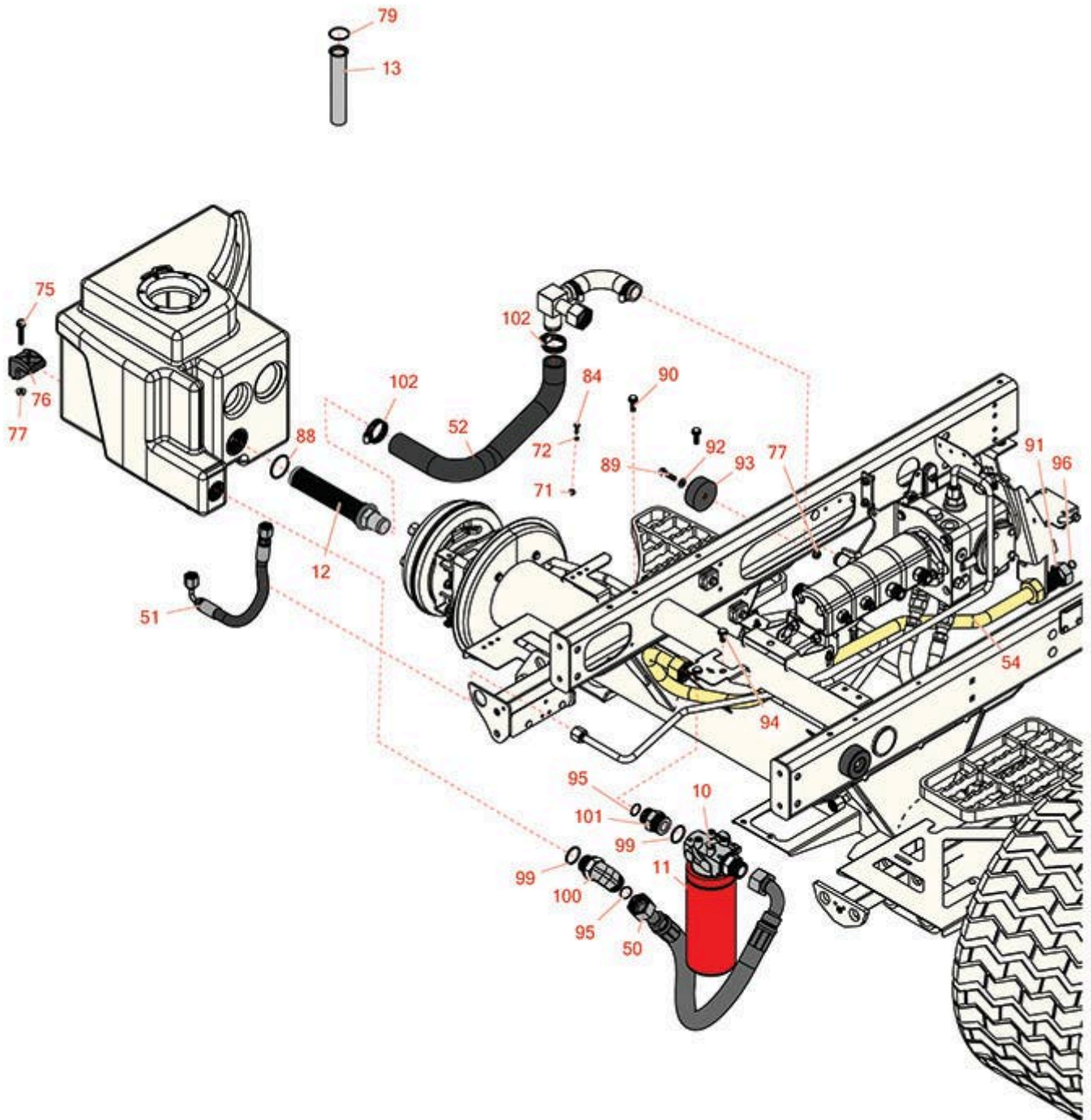




# Replaces Toro Reelmaster 5410-D Parts

Traction Unit - with Yanmar Engine  
Hydraulic Tank



All original equipment manufacturers names and part numbers are used for identification purposes only, and we are in no way implying that our products are original equipment parts. Prices subject to change without notice.



# Replaces Toro Reelmaster 5410-D Parts

*Traction Unit - with Yanmar Engine  
Hydraulic Tank*



Item No	R&R Part No.	OEM Part No.	Description	Qty Req	Price Each	Order Quantity
<b>Filters</b>						
10	<b>R104-0080</b>	104-0080	Filter Head Assy w/Filter	1	<b>153.20</b>	
11	<b>RRF10621</b>		Slverguard Oil Filter - Hyd	1	<b>46.15</b>	
11	<b>R94-2621</b>	94-2621	Baldwin Oil Filter - Hyd	1	<b>74.30</b>	
12	<b>R105-0131</b>	105-0131	Strainer-Tank - Oil	1	<b>98.85</b>	
13	<b>R61-2790</b>	61-2790	Screen - Filler - Hyd Oil	1	<b>27.45</b>	
<b>Hoses</b>						
50	<b>R108-1689</b>	108-1689	Hydraulic Hose Assy	1	<b>195.35</b>	
51	<b>R66-8490</b>	66-8490	Hydraulic Hose Assy	1	<b>64.45</b>	
52	<b>R108-1685</b>	108-1685	Hose - Formed	1	<b>44.45</b>	
54	<b>R108-1699</b>	108-1699	Tube Assy	1	<b>169.70</b>	
<b>Other Parts Available</b>						
71	<b>R3296-2</b>	32127-10, 3296-2, 9157404	Nut - #10 Lock	8	<b>0.94</b>	
72	<b>R3256-14</b>	24-7-BD, 32125-2, 3256-14, 3256-51, 51-2170	Washer - 10 Flat	8	<b>0.34</b>	
75	<b>R94-5780</b>	94-5780	Bolt - 5/16-18 x 1 3/4 Hx Fl	2	<b>2.35</b>	
76	<b>R107-4543</b>	107-4543	Clamp	2	<b>6.30</b>	
77	<b>R104-8300</b>	104-8300, 104-8300, 119-4041	Locknut - 5/16-18 Flanged Y/Zinc	3	<b>0.47</b>	
79	<b>R237-101</b>	237-101	O-Ring	1	<b>2.15</b>	

All original equipment manufacturers names and part numbers are used for identification purposes only, and we are in no way implying that our products are original equipment parts. Prices subject to change without notice.



# Replaces Toro Reelmaster 5410-D Parts

*Traction Unit - with Yanmar Engine  
Hydraulic Tank*



Item No	R&R Part No.	OEM Part No.	Description	Qty Req	Price Each	Order Quantity
84	<b>R32105-13</b>	32105-13	Screw - Hx Was HD 10-32 x 3/4	8	<b>1.05</b>	
88	<b>R340-136</b>	340-136	O-Ring	1	<b>4.35</b>	
89	<b>R400190</b>	01-150-0720, 01-178-0510, 30-8680, 322-6, 513343	Bolt - Hex HD 5/16-18 x 1-1/4 GR5	1	<b>0.40</b>	
90	<b>R3234-29</b>	3234-17, 3234-29	Bolt - 5/16-18x1 Serr Hex	2	<b>1.65</b>	
91	<b>R340-128</b>	340-128	Nut-Bulkhead	1	<b>10.40</b>	
92	<b>R453009</b>	01-166-0400, 24-10-BD, 24-9-AD, 32-9650, 3256-2, 3256-23, 3256-3, 3256-67, 3290-217, 3556-3, 4-2390, 7-0152	Washer - Flat 5/16 SAE	1	<b>0.13</b>	
93	<b>R108-1605</b>	108-1605	Bumper-Recess	1	<b>5.85</b>	
94	<b>R3234-1</b>	321-11, 3234-1	Bolt - Flanged Serrated Hex HD 3/8-16 x 3/4	4	<b>1.45</b>	
95	<b>R340-65</b>	340-65	O-Ring	4	<b>0.86</b>	
96	<b>R237-30</b>	23-6320, 237-30	O-Ring - Seal	2	<b>0.78</b>	
99	<b>R237-146</b>	237-146, 340-146	O-Ring	2	<b>1.45</b>	
100	<b>R340-129</b>	340-129	Hydraulic Fitting - 90 Deg	1	<b>57.40</b>	
101	<b>R104-3797</b>	104-3797	Hydraulic Fitting - Striaight	2	<b>19.90</b>	

All original equipment manufacturers names and part numbers are used for identification purposes only, and we are in no way implying that our products are original equipment parts. Prices subject to change without notice.



# Replaces Toro Reelmaster 5410-D Parts

*Traction Unit - with Yanmar Engine  
Hydraulic Tank*



Item No	R&R Part No.	OEM Part No.	Description	Qty Req	Price Each	Order Quantity
102	<b>R2412-111</b>	2412-111	Clamp - Hose - Worm	2	<b>4.15</b>	

All original equipment manufacturers names and part numbers are used for identification purposes only, and we are in no way implying that our products are original equipment parts. Prices subject to change without notice.