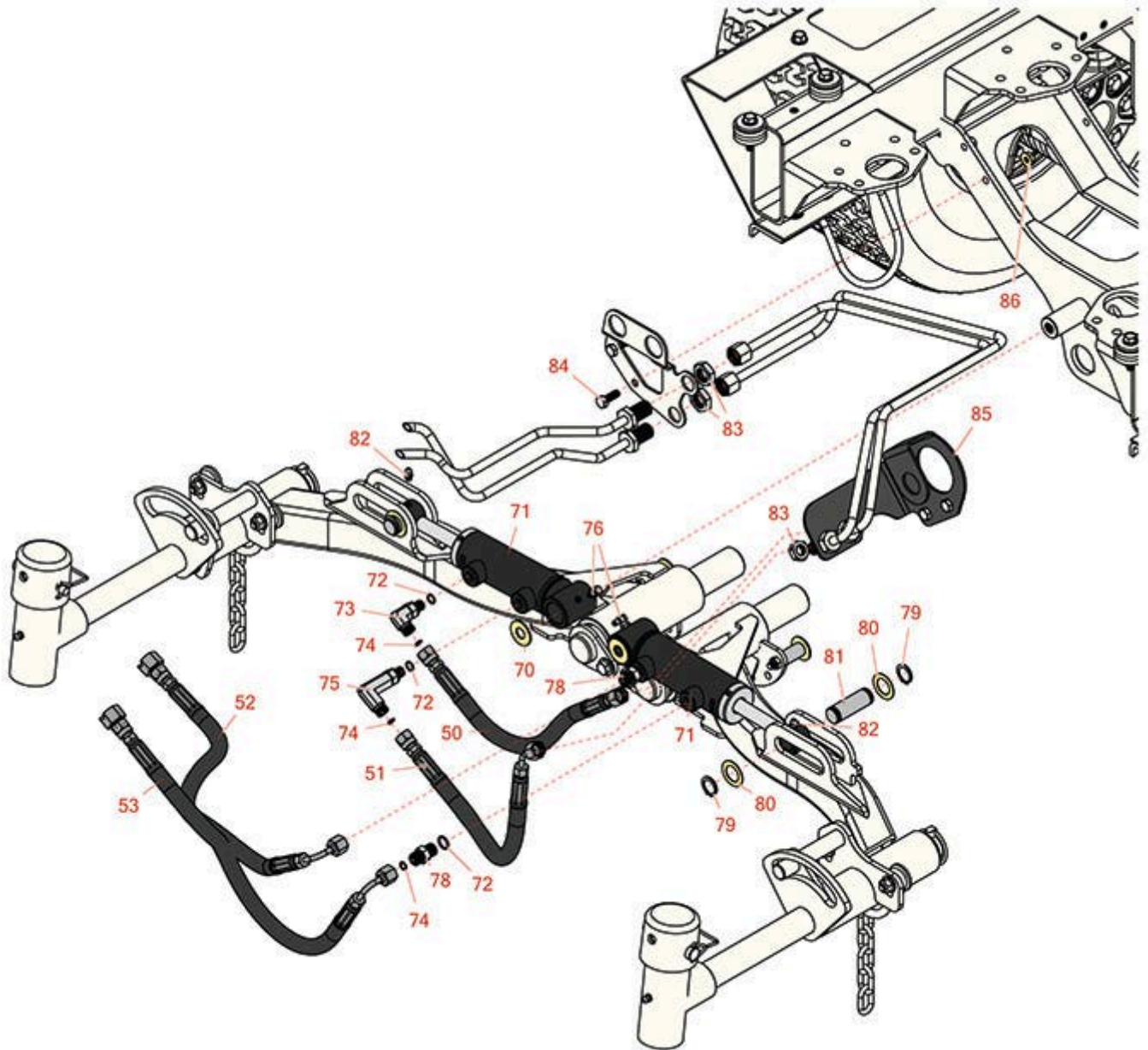




# Replaces Toro Reelmaster 5410-D Parts

*Traction Unit - with Yanmar Engine  
Hydraulic Cylinder*



All original equipment manufacturers names and part numbers are used for identification purposes only, and we are in no way implying that our products are original equipment parts. Prices subject to change without notice.



# Replaces Toro Reelmaster 5410-D Parts

*Traction Unit - with Yanmar Engine  
Hydraulic Cylinder*



Item No	R&R Part No.	OEM Part No.	Description	Qty Req	Price Each	Order Quantity
<b>Hoses</b>						
50	<b>R110-0931</b>	110-0931	Hydraulic Hose Assy	1	<b>38.15</b>	
51	<b>R110-8966</b>	110-8966	Hydraulic Hose Assy	1	<b>52.10</b>	
52	<b>R110-0929</b>	110-0929	Hydraulic Hose Assy	1	<b>46.15</b>	
53	<b>R110-0930</b>	110-0930, 110-2930	Hydraulic Hose Assy	1	<b>46.15</b>	
<b>Other Parts Available</b>						
70	<b>R453017</b>	01-166-0050, 01-166-0240, 01-166-0800, 24-13-AD, 24-14-AD, 32-8110, 3256-26, 3256-6, 453017, 69-8980, 87-7270	Washer - Flat 1/2	2	<b>0.28</b>	
71	<b>R119-6988</b>	119-6988	Hydraulic Cylinder	2	<b>349.60</b>	
72	<b>R237-22</b>	107-8844, 237-22, 237-78	O-Ring	2	<b>0.62</b>	
73	<b>R340-132</b>	340-132	Hydraulic Fitting - 90 Deg	1	<b>14.40</b>	
74	<b>R237-21</b>	237-21, 327-21	O-Ring	4	<b>0.47</b>	
75	<b>R100-7695</b>	100-7695	Adapter-Hyd	1	<b>49.15</b>	
76	<b>R302-60</b>	302-60	Zerk - Grease 90 Deg.	2	<b>0.68</b>	
78	<b>R340-92</b>	340-92	Hydraulic Fitting - Striaight	2	<b>6.95</b>	
79	<b>R32120-93</b>	32120-93	Snap Ring - HD	4	<b>1.20</b>	

All original equipment manufacturers names and part numbers are used for identification purposes only, and we are in no way implying that our products are original equipment parts. Prices subject to change without notice.



# Replaces Toro Reelmaster 5410-D Parts

*Traction Unit - with Yanmar Engine  
Hydraulic Cylinder*



Item No	R&R Part No.	OEM Part No.	Description	Qty Req	Price Each	Order Quantity
80	<b>R3-6498</b>	3--6498, 3-6498, 47-8270	Washer - Thrust	4	<b>4.10</b>	
81	<b>R104-0046</b>	104-0046	Pin - Slide - Cylinder	2	<b>7.15</b>	
82	<b>R302-5</b>	21-6010, 302-11, 302-37, 302-47, 302-5, 302-57, 302-58, 302-6, 31-0300, 32-9660, 60-0800, 62-3880, 92-4181	Fitting - Grease	2	<b>0.27</b>	
83	<b>R340-78</b>	340-78	Nut - Lock Bulkhead	4	<b>2.30</b>	
84	<b>R322-4</b>	322-4, 3290-115, 908018P	Bolt - Hex HD 5/16-18 x 7/8	4	<b>0.47</b>	
85	<b>R110-0917-01</b>	110-0917-01	Bracket-Bulkhead - LH	1	<b>23.75</b>	
86	<b>R104-8300</b>	104-8300, 104-8300 , 119-4041	Locknut - 5/16-18 Flanged Y/Zinc	4	<b>0.47</b>	

All original equipment manufacturers names and part numbers are used for identification purposes only, and we are in no way implying that our products are original equipment parts. Prices subject to change without notice.