

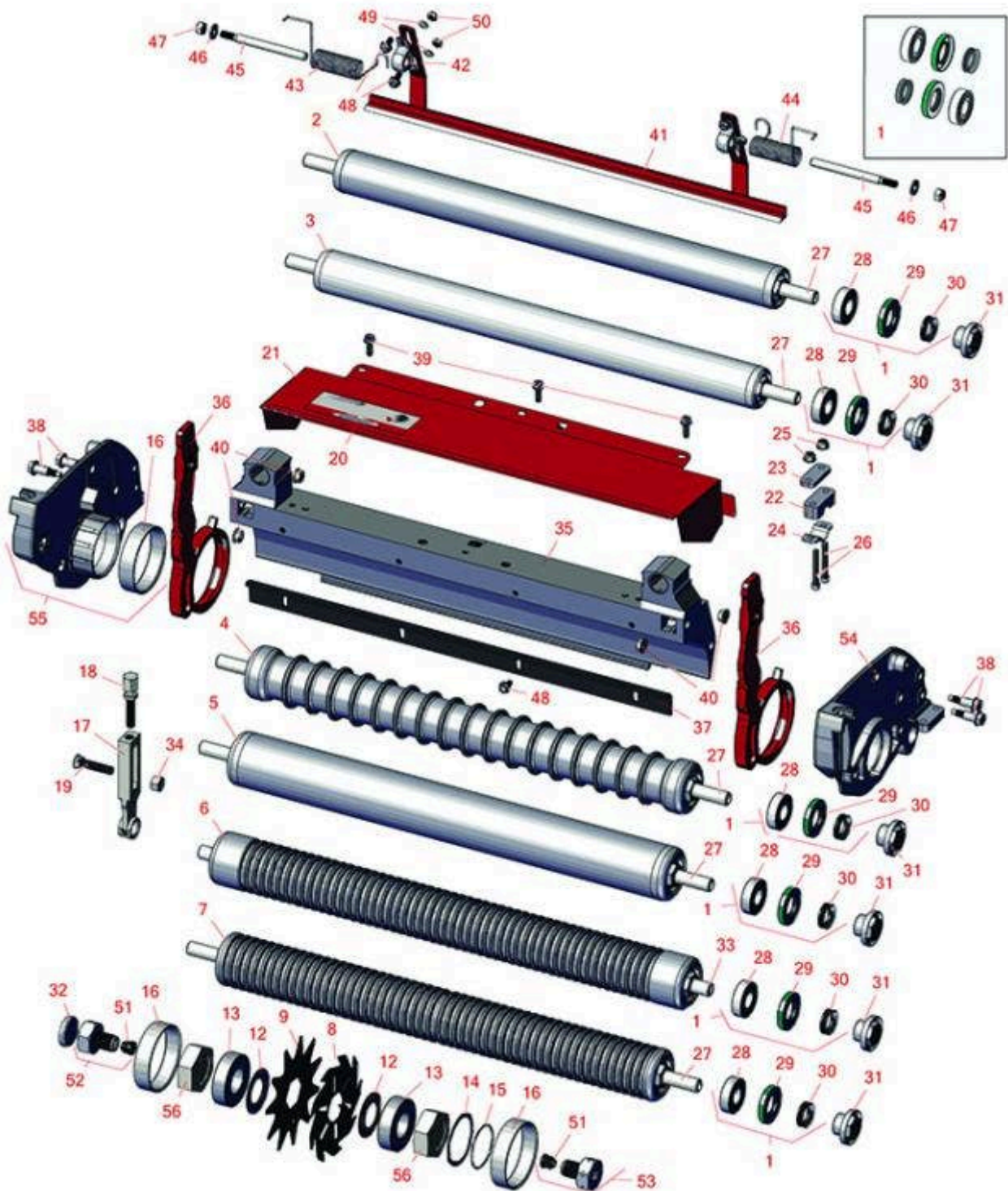


# Replaces Toro Greensmaster eTriFlex

## 3360 Parts

Dethatching Unit - Model 04720

Dethatching Reel & Frame



All original equipment manufacturers names and part numbers are used for identification purposes only, and we are in no way implying that our products are original equipment parts. Prices subject to change without notice.



# Replaces Toro Greensmaster eTriFlex

## 3360 Parts

Dethatching Unit - Model 04720

Dethatching Reel & Frame



Item No	R&R Part No.	OEM Part No.	Description	Qty Req	Price Each	Order Quantity
---------	--------------	--------------	-------------	---------	------------	----------------

### Overhaul Kits and Service Tools

1	<b>R107-1594</b>	107-1594	Overhaul Kit - Roller	1	<b>38.45</b>	
---	------------------	----------	-----------------------	---	--------------	--

*Tech Note: Includes 2 ea.: R106-6941 Seals, R106-6942 V-Rings & R251-347 Bearings:*

2	<b>R140-5560</b>	105-5776, 106-6945, 107-3509, 119-4093, 120-9595, 140-5560	Roller - Smooth 2 in Steel Rear	0	<b>163.85</b>	
---	------------------	---	---------------------------------	---	---------------	--

3	<b>R115-7356</b>	115-7356	Roller - Smooth Tubular Aluminum - 2 in Dia	1	<b>220.30</b>	
---	------------------	----------	---	---	---------------	--

*Tech Note: Constructed with a through shaft, this light weight aluminum roller uses a through shaft and ball bearings.:*

4	<b>R115-7386</b>	115-7386	Roller - Wide Grooved Machined Aluminum - 2-1/2 Dia	1	<b>259.95</b>	
---	------------------	----------	---	---	---------------	--

*Tech Note: Constructed with a through shaft, this aluminum roller is machined with 1-1/8" wide grooves for the least amount of ground contact and uses ball bearings.:*

5	<b>R115-7388</b>	115-7388	Roller - Smooth Tubular Steel 2-1/2 in Dia	1	<b>250.15</b>	
---	------------------	----------	--	---	---------------	--

*Tech Note: Constructed with a through shaft, this steel roller uses a through shaft and ball bearings.:*

6	<b>R121-4675</b>	121-4675	Roller - Extended Machined Grooved	1	<b>359.95</b>	
---	------------------	----------	------------------------------------	---	---------------	--

7	<b>R115-7360</b>	115-7360	Roller - Narrow Grooved Machined Aluminum - 2 1/2	1	<b>339.85</b>	
---	------------------	----------	---	---	---------------	--

*Tech Note: Constructed with a through shaft, this aluminum roller is machined with narrow grooves and uses ball bearings.:*

### Blades

8	<b>R117-6824</b>	117-6824	Blade - Carbide Tipped 1.2mm 1 5/16 Hex	36	<b>12.35</b>	
---	------------------	----------	---	----	--------------	--

All original equipment manufacturers names and part numbers are used for identification purposes only, and we are in no way implying that our products are original equipment parts. Prices subject to change without notice.



# Replaces Toro Greensmaster eTriFlex

## 3360 Parts

Dethatching Unit - Model 04720

Dethatching Reel & Frame



Item No	R&R Part No.	OEM Part No.	Description	Qty Req	Price Each	Order Quantity
<i>Tech Note: 9 TOOTH BLADE:</i>						
8	<b>R119-1128</b>	119-1128	Blade - Carbide Tipped 2mm 1 5/16 Hex	36	<b>11.85</b>	
9	<b>R121-6674</b>	121-6674	Blade - Verti-Cut 1 5/16 Hex ID	36	<b>7.95</b>	
<b>Other Parts Available</b>						
12	<b>R115-3299</b>	115-3299	Seal- Flocked	2	<b>11.40</b>	
13	<b>R115-3296</b>	115-3296	Bearing	2	<b>23.50</b>	
13	<b>R140-5510</b>	140-5510	Bearing - Sealed Stainless	2	<b>21.34</b>	
14	<b>R105-5700</b>	105-5700, 115-5258	Wave Washer - Bearing	1	<b>2.55</b>	
15	<b>R360-0398</b>	360-0398	O-Ring	1	<b>1.95</b>	
16	<b>R117-6619</b>	117-6619	Bushing	2	<b>10.25</b>	
17	<b>R115-7041</b>	115-7041	Bracket - Front Roller 5 1/4 in	2	<b>29.25</b>	
18	<b>R110-7352</b>	110-7352	Screw - HOC 2 5/8 Stainless	2	<b>12.65</b>	
19	<b>R99-3773</b>	99-3773	Bolt- Plow 3/8-16 x 1 3/4	2	<b>9.55</b>	
20	<b>R354083</b>	104-7729, 354083	Decal - Danger	1	<b>1.25</b>	
20	<b>R137-9706</b>	137-9706	Decal- Warning	1	<b>3.95</b>	
21	<b>R119-4095</b>	119-4095	Grass Shield Assy	1	<b>42.60</b>	
22	<b>R105-5710</b>	105-5710, 119-4166	Spacer - Roller	2	<b>10.65</b>	
23	<b>R105-5711</b>	105-5711, 119-4165	Shim - Roller	2	<b>4.35</b>	

All original equipment manufacturers names and part numbers are used for identification purposes only, and we are in no way implying that our products are original equipment parts. Prices subject to change without notice.



# Replaces Toro Greensmaster eTriFlex

## 3360 Parts

*Dethatching Unit - Model 04720*

*Dethatching Reel & Frame*



Item No	R&R Part No.	OEM Part No.	Description	Qty Req	Price Each	Order Quantity
24	<b>R105-5712</b>	105-5712, 119-4157	Retainer - Roller	2	<b>4.35</b>	
25	<b>R119-4040</b>	119-4040	Nut - 1/4-20 Fl Locknut	4	<b>0.47</b>	
26	<b>R119-4035</b>	119-4035	Bolt - 1/4-20 x 1 3/4 Soc HD Cap Scr	4	<b>0.89</b>	
27	<b>R119-4090</b>	119-4090	Shaft - Roller - Hardened	1	<b>62.15</b>	
28	<b>R251-347</b>	251-347, 72-5690	Bearing - Ball	2	<b>8.10</b>	
29	<b>R106-6941</b>	106-6941	Seal - Double Lip	2	<b>4.55</b>	
30	<b>R106-6942</b>	106-6942	V-Ring - Roller	2	<b>5.85</b>	
31	<b>R108-3151</b>	106-6939, 108-3151	Locknut - Roller - Stainless	2	<b>15.55</b>	
32	<b>R105-5708</b>	105-5708, 121-46009, 121-4609	Plug - Expansion	1	<b>5.40</b>	
33	<b>R120-5404</b>	120-5404	Shaft- Roller	1	<b>54.80</b>	
34	<b>R115-7193</b>	115-7193	Nut-HOC	2	<b>1.90</b>	
35	<b>R119-9303</b>	105-5799, 119-9303	Frame - Crossmember	1	<b>185.20</b>	
36	<b>R119-9307-01</b>	119-9307-01	Arm - Pitch	2	<b>72.70</b>	
37	<b>R115-3303-03</b>	115-3303-03	Bar - Cutoff	1	<b>10.25</b>	
38	<b>R115-7042</b>	115-7042	Bolt-Shoulder, Flange	4	<b>2.90</b>	
39	<b>R119-4012</b>	119-4012	Screw - Hx Washer HD Self Threading	3	<b>0.94</b>	
40	<b>R104-8300</b>	104-8300, 104-8300 , 119-4041	Locknut - 5/16-18 Flanged Y/Zinc	4	<b>0.47</b>	

All original equipment manufacturers names and part numbers are used for identification purposes only, and we are in no way implying that our products are original equipment parts. Prices subject to change without notice.



# Replaces Toro Greensmaster eTriFlex

## 3360 Parts

Dethatching Unit - Model 04720

Dethatching Reel & Frame



Item No	R&R Part No.	OEM Part No.	Description	Qty Req	Price Each	Order Quantity
41	<b>R106-9095-01</b>	106-9095-01	Scraper - Assy	1	<b>61.45</b>	
42	<b>R256-239</b>	256-239	Bearing	2	<b>2.55</b>	
43	<b>R106-9093</b>	106-9093	Spring - RH - SS	1	<b>6.80</b>	
44	<b>R106-9094</b>	106-9094	Spring - LH - SS	1	<b>6.80</b>	
45	<b>R106-9091</b>	106-9091	Pin - Scraper	2	<b>7.50</b>	
46	<b>R33094-00</b>	33094-00, 93-5914	Washer - Flat - 8mm Hardened	2	<b>0.12</b>	
47	<b>R33024-00</b>	33024-00	Locknut - 8mm x 1.25	2	<b>0.67</b>	
48	<b>R33113-016</b>	33113-016, 48-7620	Bolt - Hex Washer M6-1.0 x 12	4	<b>0.48</b>	
49	<b>R24M7139</b>	24M7139, 3256-16, 33093-00, 43-5930	Washer - Flat 6mm	4	<b>0.70</b>	
50	<b>R33023-00</b>	33023-00, 48-7900, 49-7810	Locknut - ESNA 6mm x 1.0	4	<b>0.29</b>	
51	<b>R120-3220</b>	120-3220	Plug - Plastic	2	<b>1.05</b>	
52	<b>R117-6829</b>	117-6829	RH Nut Assy	1	<b>50.95</b>	
53	<b>R117-6828</b>	117-6828	LH Nut Assy	1	<b>50.95</b>	
<i>Tech Note: Ser# 316999999-403430000:</i>						
53	<b>R120-3221</b>	120-3221	Reel Nut Assy - LH	1	<b>28.95</b>	
<i>Tech Note: Ser# 410400000-999999999:</i>						
54	<b>R119-4005</b>	119-4005	Side Plate Assy-LH Incl R117-6619	1	<b>71.05</b>	
55	<b>R119-4007</b>	119-4007	Side Plate Assy-RH Incl R117-6619	1	<b>71.05</b>	

All original equipment manufacturers names and part numbers are used for identification purposes only, and we are in no way implying that our products are original equipment parts. Prices subject to change without notice.



# Replaces Toro Greensmaster eTriFlex

## 3360 Parts

*Dethatching Unit - Model 04720*

*Dethatching Reel & Frame*



Item No	R&R Part No.	OEM Part No.	Description	Qty Req	Price Each	Order Quantity
56	<b>R3220-25</b>	3220-25	Nut - Jam 1-3/8-12	2	<b>22.15</b>	

All original equipment manufacturers names and part numbers are used for identification purposes only, and we are in no way implying that our products are original equipment parts. Prices subject to change without notice.