

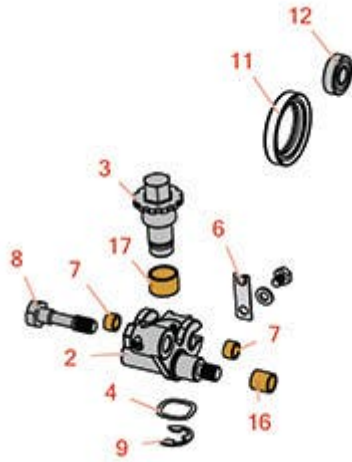


# Replaces Toro Greensmaster eFlex 2120 Parts



*DPA Cutting Unit - Models 04290 & 04292*

*Groomer Drive - Counter-Rotating Model 04260*



All original equipment manufacturers names and part numbers are used for identification purposes only, and we are in no way implying that our products are original equipment parts. Prices subject to change without notice.



# Replaces Toro Greensmaster eFlex 2120 Parts



*DPA Cutting Unit - Models 04290 & 04292*

*Groomer Drive - Counter-Rotating Model 04260*

Item No	R&R Part No.	OEM Part No.	Description	Qty Req	Price Each	Order Quantity
1	<b>R106-8536</b>	106-8536	LH Lift Arm Assy	1	<b>57.40</b>	
2	<b>R106-8535</b>	106-8535	RH Lift Arm Assy	1	<b>61.85</b>	
3	<b>R106-8482</b>	106-8482	Adjuster-Groomer	2	<b>19.40</b>	
4	<b>R107-8107</b>	106-8490, 107-8107	Washer - Wave	2	<b>5.15</b>	
5	<b>R106-8527</b>	106-8527	Bushing	1	<b>9.25</b>	
6	<b>R104-4754</b>	104-4754	Spring-Detent	2	<b>15.90</b>	
7	<b>R106-8489</b>	106-8489	Bushing-Sleeve	2	<b>3.05</b>	
8	<b>R106-8528</b>	106-8528	Screw - Lock	2	<b>7.60</b>	
9	<b>R32120-19</b>	32120-19, 32120-81	E-Ring	2	<b>1.55</b>	
11	<b>R253-146</b>	105-0150, 253-143, 253-146, 253-153	Seal	1	<b>3.85</b>	
12	<b>R106-4237</b>	106-4237	Bearing	2	<b>10.60</b>	
14	<b>R106-8530</b>	106-8530	Seal - Oil	2	<b>9.05</b>	
15	<b>R107-8105</b>	106-8520, 107-8105	Bearing-Ball - Extended	2	<b>19.40</b>	
16	<b>R256-2</b>	256-2	Bushing - Idler Pulley	2	<b>3.25</b>	
17	<b>R256-42</b>	256-42	Bushing	2	<b>6.30</b>	

All original equipment manufacturers names and part numbers are used for identification purposes only, and we are in no way implying that our products are original equipment parts. Prices subject to change without notice.