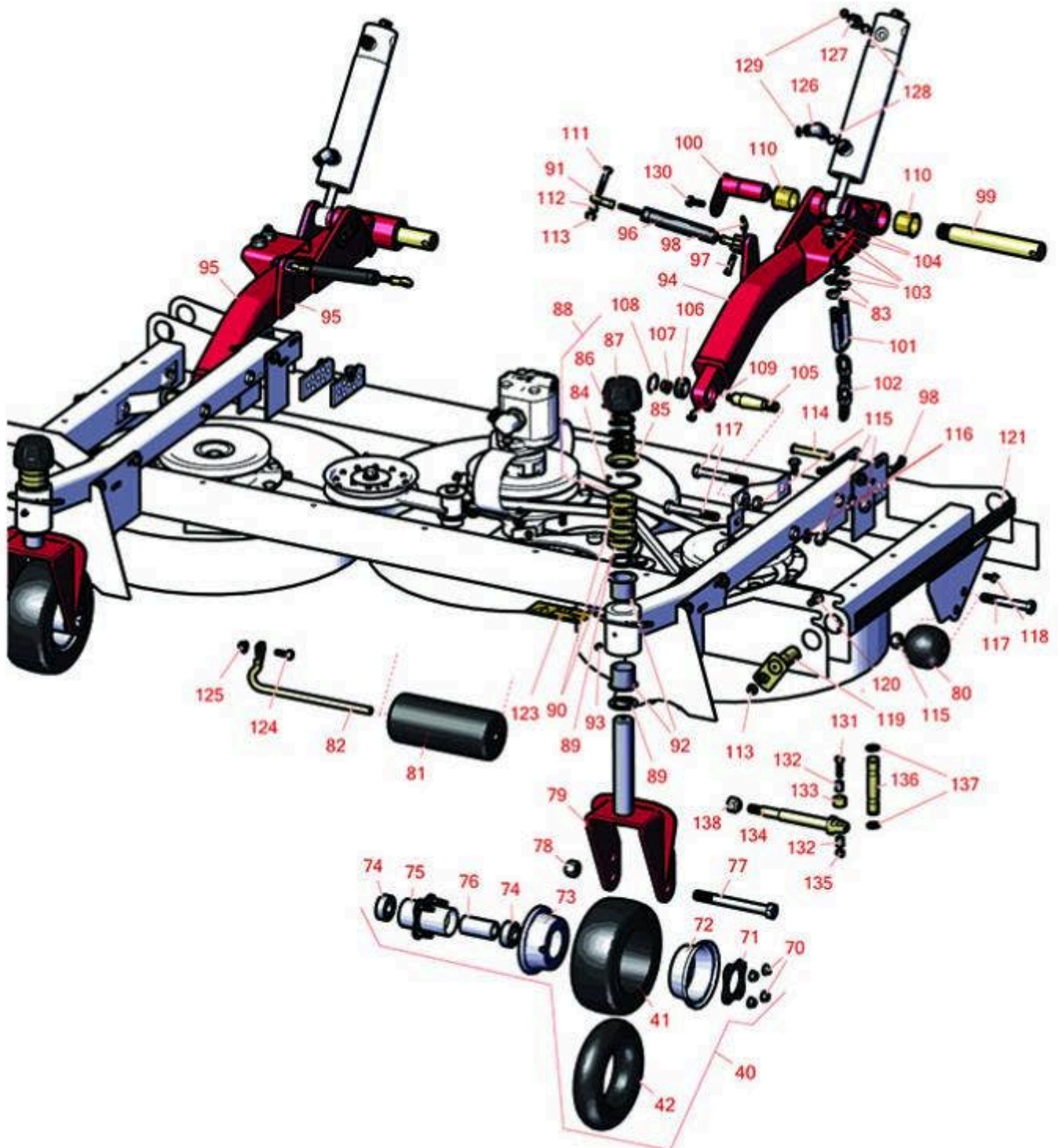




# Replaces Toro Groundsmaster 4100-D

## Parts

Rotary Mower - Model 30449  
Front Deck Lift Arms



All original equipment manufacturers names and part numbers are used for identification purposes only, and we are in no way implying that our products are original equipment parts. Prices subject to change without notice.



# Replaces Toro Groundsmaster 4100-D Parts

Rotary Mower - Model 30449  
Front Deck Lift Arms



Item No	R&R Part No.	OEM Part No.	Description	Qty Req	Price Each	Order Quantity
<b>Tires &amp; Wheels</b>						
40	<b>R93-9938</b>	86-0020, 93-9938	Wheel Assy - Castor - Pneu 8x3.50-4	2	<b>94.50</b>	
41	<b>R93-9939</b>	93-9939, 98-2877	Tire - 8x3.50-4 (4 Ply) Sm Pneu	2	<b>19.15</b>	
41	<b>R150615</b>	136-4424, 137-5924	Tire - Foam Filled 8-3.5 x 4 Sm 4 Ply	2	<b>59.25</b>	
42	<b>R68-8950</b>	68-8950	Tube - Castor Wheel 9x3.50-4 TR87	2	<b>5.45</b>	
70	<b>R32128-16</b>	32128-16	Locknut - 5/16-24 Flanged Top	8	<b>0.90</b>	
71	<b>R93-4242</b>	93-4242	Plate - Caster Wheel	2	<b>4.65</b>	
72	<b>R95-2741</b>	137-5552, 95-2741	Rim - Wheel Half w/o Valve Hole	2	<b>14.25</b>	
73	<b>R93-4239</b>	93-4239	Rim - Wheel Half w/Valve Hole	2	<b>14.95</b>	
74	<b>R108-9017</b>	108-9017, 120-3366	Bearing-Stainless	4	<b>24.15</b>	
75	<b>R93-5980</b>	93-4238, 93-5980	Hub Assy - w/o Bearings/Spacer	2	<b>45.25</b>	
76	<b>R93-4241</b>	93-4241	Spacer - Caster Wheel	2	<b>10.70</b>	
77	<b>R327-24</b>	327-24	Bolt - Hex HD 5/8-11 x 6	2	<b>4.35</b>	
78	<b>R3296-53</b>	3296-53	Locknut - 5/8-11 ESNA Yellow	2	<b>1.85</b>	
79	<b>R92-7750-01</b>	86-2410, 92-7750, 92-7750-01	Fork - Castor	2	<b>147.50</b>	
80	<b>R29-4820</b>	29-4820	Roller	2	<b>16.55</b>	
81	<b>R68-6710</b>	68-6710	Roller - Rotary Deck	1	<b>37.65</b>	
82	<b>R68-6840</b>	68-6840	Shaft - Roller	1	<b>38.60</b>	

All original equipment manufacturers names and part numbers are used for identification purposes only, and we are in no way implying that our products are original equipment parts. Prices subject to change without notice.



# Replaces Toro Groundsmaster 4100-D Parts

Rotary Mower - Model 30449  
Front Deck Lift Arms



Item No	R&R Part No.	OEM Part No.	Description	Qty Req	Price Each	Order Quantity
83	<b>R443118</b>	01-188-0813, 22-15-AJD, 3217-9	Nut - 1/2-13 Zinc	4	<b>0.39</b>	
84	<b>R92-5581</b>	92-5581	Ring - Retaining	2	<b>2.45</b>	
85	<b>R92-5583</b>	92-5583	Washer- Cap	2	<b>4.15</b>	
86	<b>R92-9726</b>	92-9726	Spring - Compression	2	<b>17.90</b>	
87	<b>R92-8861</b>	92-5582, 92-8861	Cap - HOC	2	<b>35.30</b>	
88	<b>R92-9727</b>	92-9727	Cap Assy - HOC	2	<b>59.10</b>	
89	<b>R69-6860</b>	69-6860	Washer - 1/8 - Caster Wheel	4	<b>3.45</b>	
90	<b>R69-1510</b>	69-1510	Spacer - 1/2 Caster Fork	8	<b>3.25</b>	
91	<b>R104-8331</b>	104-8331	Rod End - Spherical	4	<b>34.15</b>	
92	<b>R69-6470</b>	69-6470	Bushing - Flanged	4	<b>6.15</b>	
93	<b>R302-5</b>	21-6010, 302-11, 302-37, 302-47, 302-5, 302-57, 302-58, 302-6, 31-0300, 32-9660, 60-0800, 62-3880, 92-4181	Fitting - Grease	2	<b>0.27</b>	
94	<b>R105-7346</b>	105-7346	LH Arm Assy	1	<b>676.30</b>	
95	<b>R105-7345</b>	105-7345	RH Arm Assy	1	<b>676.30</b>	
96	<b>R105-3249</b>	104-7512, 105-3249	Damper	2	<b>113.70</b>	

All original equipment manufacturers names and part numbers are used for identification purposes only, and we are in no way implying that our products are original equipment parts. Prices subject to change without notice.



# Replaces Toro Groundsmaster 4100-D Parts

Rotary Mower - Model 30449  
Front Deck Lift Arms



Item No	R&R Part No.	OEM Part No.	Description	Qty Req	Price Each	Order Quantity
97	<b>R283-6</b>	283-6, 30-8920	Clevis Pin - 5/16 x 1 1/4	2	<b>1.45</b>	
98	<b>R3290-467</b>	3290-467	Pin-Hair	2	<b>0.41</b>	
99	<b>R100-3017</b>	100-3017	Pin - Lift Arm	2	<b>105.75</b>	
100	<b>R105-7325</b>	105-7325	Pin Assy	2	<b>52.45</b>	
101	<b>R104-0108</b>	104-0108	U-Bolt	2	<b>11.25</b>	
102	<b>R95-6231</b>	95-6231	Chain - HOC	2	<b>9.30</b>	
103	<b>R3256-26</b>	01-166-0540, 01-166-0820, 17-2530, 24-13-BD, 30-8570, 3256-26, 356206, 48-9390	Washer - 1/2 in	4	<b>0.41</b>	
104	<b>R3296-25</b>	30-3380, 32127-21, 32127-31, 3290-160, 3290-33, 3296-13, 3296-25, 3296-45, 329645	Locknut - 1/2-13 Heavy ESNA	4	<b>2.15</b>	
105	<b>R105-7468</b>	105-7468	Stud- Tapered	2	<b>37.05</b>	
106	<b>R105-7441</b>	105-7441	Bearing - Spherical	2	<b>46.90</b>	
107	<b>R32128-42</b>	32128-42	Nut-HF	2	<b>1.05</b>	
108	<b>R458461</b>	32151-34	Snap Ring	2	<b>1.10</b>	
109	<b>R700414</b>	302-11, 302-19, 302-4, 32-8170	Zerk - Grease 1/4-28 45 Deg	2	<b>0.76</b>	

All original equipment manufacturers names and part numbers are used for identification purposes only, and we are in no way implying that our products are original equipment parts. Prices subject to change without notice.



# Replaces Toro Groundsmaster 4100-D Parts

Rotary Mower - Model 30449  
Front Deck Lift Arms



Item No	R&R Part No.	OEM Part No.	Description	Qty Req	Price Each	Order Quantity
110	<b>R104-0015</b>	104-0015, 104-8339	Bushing - Flanged	4	<b>5.15</b>	
111	<b>R19H3130</b>	322-9, 3223-5	Bolt - Hex HD 5/16-18 x 1-3/4	2	<b>0.84</b>	
112	<b>R92-6998</b>	92-6998	Spacer-Yoke, Right	2	<b>4.10</b>	
113	<b>R104-8300</b>	104-8300, 104-8300, 119-4041	Locknut - 5/16-18 Flanged Y/Zinc	4	<b>0.47</b>	
114	<b>R283-55</b>	283-55	Clevis Pin - 1/2 x 3	2	<b>6.30</b>	
115	<b>R3296-41</b>	32146-19, 3296-41, Mar-74	Locknut - 5/8-18 Nyl Ins Gr 8	6	<b>2.55</b>	
116	<b>R187-0</b>	3256-25, 7-0032	Washer - Flat 7/16 SAE	4	<b>0.22</b>	
117	<b>R325-17</b>	01-150-0640, 01-150-0850, 01-178-0832, 01-178-0836, 20-97-AGD, 325-17, 325-18, 48-9260	Bolt - Hex Head	5	<b>2.75</b>	
118	<b>R49-2040</b>	32104-42, 32104-95, 32144-44, 49-2040	Bolt - Hex Washer 1/4-20 x 3/4	12	<b>0.72</b>	
119	<b>R106-7171</b>	106-7171, 84-1350	Pin Pivot Assy	2	<b>81.35</b>	

All original equipment manufacturers names and part numbers are used for identification purposes only, and we are in no way implying that our products are original equipment parts. Prices subject to change without notice.



# Replaces Toro Groundsmaster 4100-D Parts

Rotary Mower - Model 30449  
Front Deck Lift Arms



Item No	R&R Part No.	OEM Part No.	Description	Qty Req	Price Each	Order Quantity
120	<b>R3230-2</b>	01-173-0508, 25-25-AGD, 3230-16, 3230-2, 513624, 513633, 513635, 900038P	Bolt - Carriage	4	<b>1.05</b>	
121	<b>R107-0170-03</b>	107-0170-03	Strap - Wing	1	<b>22.35</b>	
123	<b>R93-7818</b>	93-7818	Decal - Blade Torque	2	<b>5.80</b>	
124	<b>R3234-11</b>	3234-11	Bolt - Hex Washer HD	1	<b>1.05</b>	
125	<b>R104-8301</b>	104-8301, 104-9301, 109-6658, 133-7570	Locknut - 3/8-16 Nylon Flanged	1	<b>0.84</b>	
126	<b>R340-77</b>	340-100, 340-77, 95-7889	Hydraulic Fitting	2	<b>15.85</b>	
127	<b>R340-2</b>	340-2, 60-1920	Hydraulic Fitting - Striaight	2	<b>6.50</b>	
128	<b>R237-42</b>	237-42, 31-4160	O-Ring	2	<b>0.80</b>	
129	<b>R237-22</b>	107-8844, 237-22, 237-78	O-Ring	2	<b>0.62</b>	
130	<b>R3234-29</b>	3234-17, 3234-29	Bolt - 5/16-18x1 Serr Hex	2	<b>1.65</b>	
131	<b>R400190</b>	01-150-0720, 01-178-0510, 30-8680, 322-6, 513343	Bolt - Hex HD 5/16-18 x 1-1/4 GR5	1	<b>0.40</b>	
132	<b>R86-2090</b>	86-2090	Bushing 5/16 ID x 1/2 OD x 5/8 L	4	<b>4.15</b>	

All original equipment manufacturers names and part numbers are used for identification purposes only, and we are in no way implying that our products are original equipment parts. Prices subject to change without notice.



# Replaces Toro Groundsmaster 4100-D Parts

*Rotary Mower - Model 30449  
Front Deck Lift Arms*



Item No	R&R Part No.	OEM Part No.	Description	Qty Req	Price Each	Order Quantity
133	<b>R86-2120</b>	86-2120	Roller - Lock	2	<b>13.05</b>	
134	<b>R106-4317</b>	106-4317	Support - Spring	2	<b>92.80</b>	
135	<b>R3296-47</b>	3296-47	Locknut - 5/16-18 Jam Nyloc	2	<b>0.59</b>	
136	<b>R105-7482</b>	105-7482	Pin-Latch	2	<b>37.25</b>	
137	<b>R32120-93</b>	32120-93	Snap Ring - HD	4	<b>1.20</b>	
138	<b>R242-50</b>	242-50	Nut - 1/2-20 Wheel	2	<b>1.50</b>	

All original equipment manufacturers names and part numbers are used for identification purposes only, and we are in no way implying that our products are original equipment parts. Prices subject to change without notice.