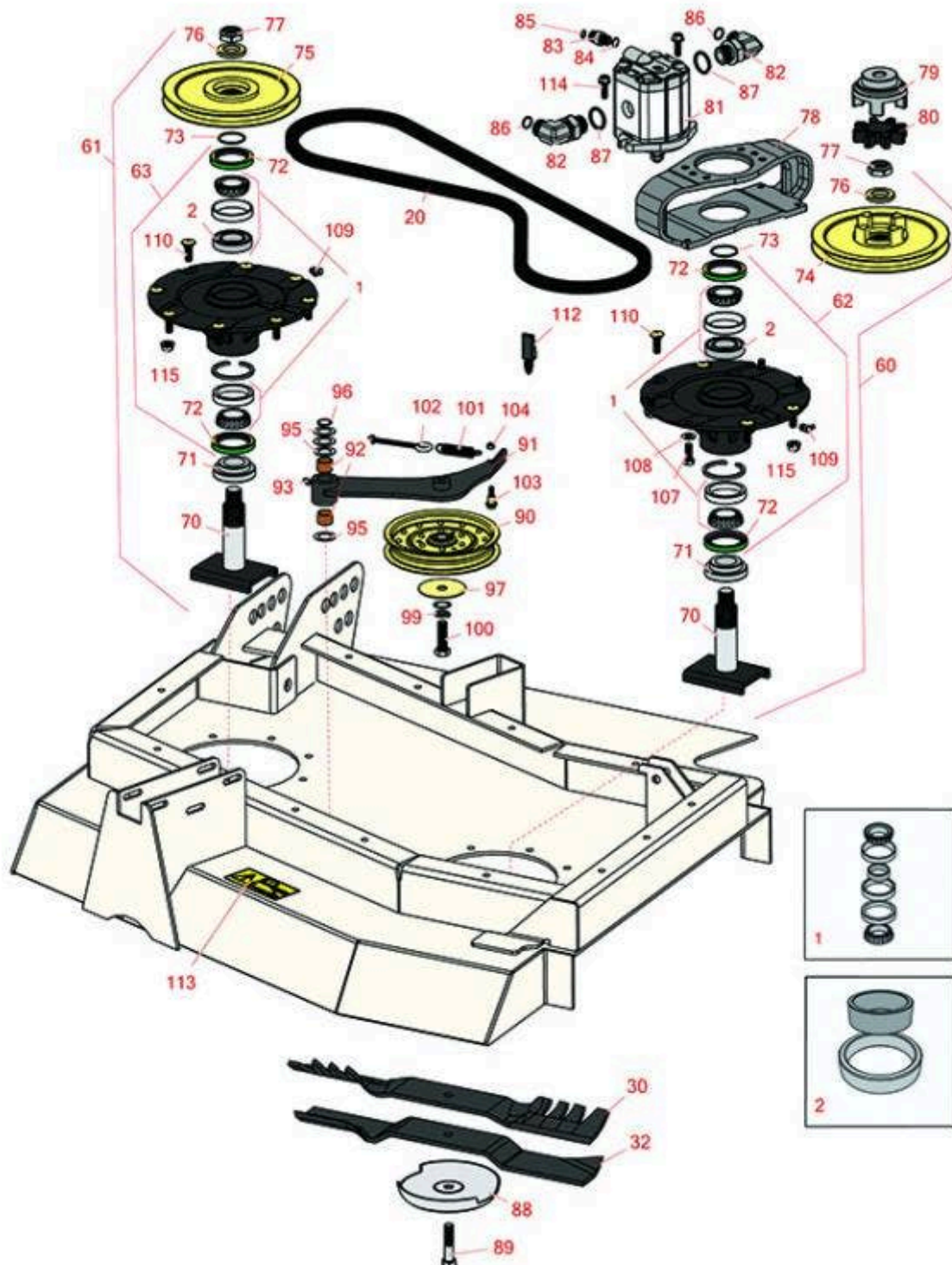




Replaces Toro Groundsmaster 4100-D Parts

Rotary Mower - Model 30449
Right-Hand Deck Lift Arms and Spindle



All original equipment manufacturers names and part numbers are used for identification purposes only, and we are in no way implying that our products are original equipment parts. Prices subject to change without notice.



Replaces Toro Groundsmaster 4100-D Parts

Rotary Mower - Model 30449
Right-Hand Deck Lift Arms and Spindle



Item No	R&R Part No.	OEM Part No.	Description	Qty Req	Price Each	Order Quantity
Overhaul Kits						
1	R110-8297	110-8297, 26-1830	Bearing Set w/Retaining Rings - Spindle	2	23.90	
2	R104-3549	104-3549	Spacer Set - Spindle Bearing	2	26.60	
Belts						
20	R108-8077	105-7438, 108-8077	V-Belt - Deck	1	41.15	
Rotary Blades						
30	R107-0215-03	107-0215-03	Mower Blade - Mulcher - 19 in	2	23.95	
32	R106-7166-03	106-7166-03	Mower Blade - Combo - 19 in	2	21.05	
Other Parts Available						
60	R119-4547	104-3529, 119-4547, 139-1035	Driving Spindle Assy	1	795.70	
61	R119-4776	104-3532, 119-4776	Spindle Assy	1	449.10	
62	R119-4546	104-3552, 119-3552, 119-4546	Spindle Housing Assy	1	307.35	
63	R119-4775	119-4775	Spindle Housing Assy	1	299.35	
70	R104-3554	104-3554	Shaft - Spindle Assy.	2	49.85	
71	R92-9800	69-6950, 69-6980, 92-9800	Spacer - Spindle	2	19.20	
72	R253-154	253-154	Seal - Spindle	4	4.20	
73	R106-7159	106-7159	O-Ring	2	0.66	
74	R104-3545	104-3545	Pulley - Drive	1	129.45	

All original equipment manufacturers names and part numbers are used for identification purposes only, and we are in no way implying that our products are original equipment parts. Prices subject to change without notice.



Replaces Toro Groundsmaster 4100-D Parts



Rotary Mower - Model 30449

Right-Hand Deck Lift Arms and Spindle

Item No	R&R Part No.	OEM Part No.	Description	Qty Req	Price Each	Order Quantity
75	R104-3546	104-3546	Pulley - Lower Driven	1	115.10	
76	R104-8322	104-8322, 120-5576	Washer - Spindle Shaft Hardened	2	7.85	
77	R32127-46	32127-46, 3296-60	Locknut	2	2.85	
78	R104-3544	104-3544	Mount - Motor Drive	1	87.30	
79	R104-3541	104-3541	Hub - Drive	1	66.95	
80	R104-3542	104-3542	Spider	1	37.15	
81	R99-5489	99-5489	Hydraulic Motor	1	468.30	
82	R340-139	340-139	Hydraulic Fitting - 90 Deg	2	66.30	
83	R340-2	340-2, 60-1920	Hydraulic Fitting - Striaight	1	6.50	
84	R237-42	237-42, 31-4160	O-Ring	1	0.80	
85	R237-22	107-8844, 237-22, 237-78	O-Ring	1	0.62	
86	R237-65	237-65, 237.65	O-Ring	2	0.65	
87	R237-81	237-81, 237.81, 327-81	O-Ring	2	2.30	
88	R72-9361	27-1000, 27-1001, 72-9360, 72-9361	Cup - Anti-Scalp	2	21.60	
89	R92-5816	92-5816	Bolt - Hex HD 1/2-20 x 2-1/4	2	4.15	
90	R110-9596	110-9596, 132-9421	Pulley- Flat Idler	1	32.15	

All original equipment manufacturers names and part numbers are used for identification purposes only, and we are in no way implying that our products are original equipment parts. Prices subject to change without notice.



Replaces Toro Groundsmaster 4100-D Parts



Rotary Mower - Model 30449

Right-Hand Deck Lift Arms and Spindle

Item No	R&R Part No.	OEM Part No.	Description	Qty Req	Price Each	Order Quantity
91	R110-6128	110-6128	Idler Arm Assy	1	73.85	
92	R256-76	256-76	Bushing	2	3.65	
93	R302-5	21-6010, 302-11, 302-37, 302-47, 302-5, 302-57, 302-58, 302-6, 31-0300, 32-9660, 60-0800, 62-3880, 92-4181	Fitting - Grease	1	0.27	
95	R3-6498	3--6498, 3-6498, 47-8270	Washer - Thrust	4	4.10	
96	R458013	30-0580, 32120-72, 458013, 93-2525, 936125	Ring - Retaining	1	0.54	
97	R100-3102	100-3102	Washer-Flat	1	2.50	
99	R3253-7	01-166-0030, 01-166-0080, 01-166-0290, 01-166-0810, 23-13-GD, 3253-7, 48-9380	Washer - Lock 1/2	1	0.13	
100	R325-7	01-150-0380, 01-178-0814, 3226-3, 325-7, 48-9490	Bolt - 1/2-13 x 1 3/4 Hex HD Gr 5	1	0.84	
101	R107938	107938	Spring - Extension	1	7.15	

All original equipment manufacturers names and part numbers are used for identification purposes only, and we are in no way implying that our products are original equipment parts. Prices subject to change without notice.



Replaces Toro Groundsmaster 4100-D Parts



Rotary Mower - Model 30449

Right-Hand Deck Lift Arms and Spindle

Item No	R&R Part No.	OEM Part No.	Description	Qty Req	Price Each	Order Quantity
102	R68-0090	68-0090	Screw - Adjusting	1	4.95	
103	R104-0858	104-0858	Bolt - Shoulder	1	7.45	
104	R3296-56	3296-56	Nut - Lock - 1/4-20 ESNA Jam	1	1.60	
107	R323-6	01-150-0010, 01-178-0608, 20-47-AD, 20-47-AGD, 3224-2, 323-6, 49-3510, 908034P, 908332	Bolt - Hex HD 3/8-16 x 1 GR5 YZ	4	0.59	
108	R453011	01-166-0100, 01-166-0120, 01-166-0270, 01-166-0500, 01-166-0600, 01-166-0620, 132-4593, 2356-3, 237-12, 24-10-AD, 24-11-AD, 24-11-BD, 24-12-AD, 24-12-BD, 30-9310, 32-8190, 3256-24, 3256-3, 3256-36, 3256-4, 453011, 47-9950, 48-9220, 513458, 7-0052	Washer - Flat 3/8 SAE Y/Zinc	4	0.11	
109	R302-60	302-60	Zerk - Grease 90 Deg.	2	0.68	
110	R114-8195	114-8195, R & R ONLY	Bolt- Ribbed Neck	12	2.95	

All original equipment manufacturers names and part numbers are used for identification purposes only, and we are in no way implying that our products are original equipment parts. Prices subject to change without notice.



Replaces Toro Groundsmaster 4100-D Parts



Rotary Mower - Model 30449

Right-Hand Deck Lift Arms and Spindle

Item No	R&R Part No.	OEM Part No.	Description	Qty Req	Price Each	Order Quantity
112	R74-5950	249-48, 74-5950	Latch - Swell	4	13.15	
113	R93-7818	93-7818	Decal - Blade Torque	1	5.80	
114	R3234-42	3234-42	Bolt - 3/8-16 x 1 Hx HD Fl	2	0.99	
115	R104-8301	104-8301, 104-9301, 109-6658, 133-7570	Locknut - 3/8-16 Nylon Flanged	12	0.84	

All original equipment manufacturers names and part numbers are used for identification purposes only, and we are in no way implying that our products are original equipment parts. Prices subject to change without notice.