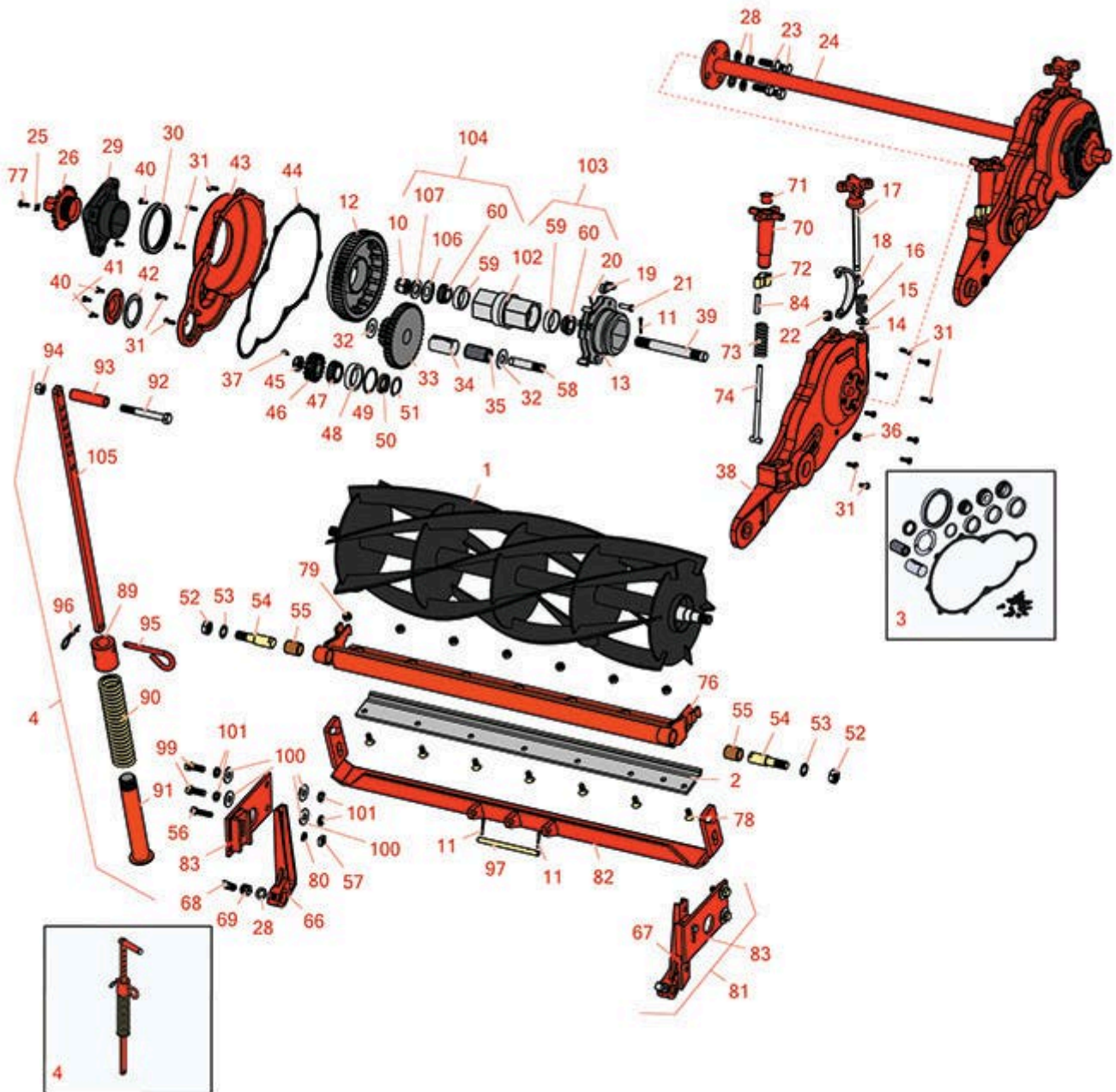




Replaces Jacobsen Blitzer Parts

Cutting Unit
Reel & Bedknife



All original equipment manufacturers names and part numbers are used for identification purposes only, and we are in no way implying that our products are original equipment parts. Prices subject to change without notice.



Replaces Jacobsen Blitzer Parts

Cutting Unit
Reel & Bedknife



Item No	R&R Part No.	OEM Part No.	Description	Qty Req	Price Each	Order Quantity
---------	--------------	--------------	-------------	---------	------------	----------------

R&R Reels, Lifetime Guaranteed

1	R101253		Reel - 6 Blade 10 in Dia	1	322.95	
1	R502673	502673	Reel - 5 Blade 10 in	1	305.15	
1	R502674	502674	Reel - 4 Blade 10 in Dia.	1	286.70	

R&R Bedknives, Lifetime Guaranteed

2	R325163	325163	Bedknife - 30" 7 Hole	1	49.65	
---	----------------	--------	-----------------------	---	--------------	--

Overhaul Kits & Service Tools

3	R500605		Overhaul Kit - Cutting Unit	0	121.50	
---	----------------	--	-----------------------------	---	---------------	--

Tech Note: Includes 18 ea.: R407706 Screws; 4 ea.: R254-78 Bearings, R254-79 Bearing Cups; 2 ea.: R302755 Cups, R311957 Rings, R315872 Seals, R315873 Seals, R315876 Gaskets, R315914 Bearings, R315928 Gaskets, R315967 Seals, R315977 Bearings... <Click Part# for more>:

4	R110030	110030	Lever Assy	1	133.35	
---	----------------	--------	------------	---	---------------	--

Tech Note: Use with pull frames only, will not fit Ranger or F10. Includes: 1ea: R110031 Tube, R316133 Spring, R318001 Pin, R319873 Handle, R32146-11 Locknut, R335677 Lever, R358414 Nut, R400456 Bolt, & R460312 Pin:

Other Parts Available

10	R445686	445686	Nut - 3/4-16 Castle	2	3.65	
11	R460028	460028	Pin - Cotter 1/8 x 1	2	0.34	
12	R203976	203976	Gear - Main Ductile Steel	2	120.55	
13	R203975	203975	Wheel - Pawl Carrier	2	105.70	
14	R460026	460026	Pin - Cotter 1/8 x 3/4	2	0.26	
15	R315861	315861	Washer	2	0.77	
16	R316765	316765	Spring - RH	1	4.80	
16	R316766	316766	Spring - LH	1	4.80	
17	R153215	153215	Handle - Release	2	31.95	

All original equipment manufacturers names and part numbers are used for identification purposes only, and we are in no way implying that our products are original equipment parts. Prices subject to change without notice.



Replaces Jacobsen Blitzer Parts

Cutting Unit
Reel & Bedknife



Item No	R&R Part No.	OEM Part No.	Description	Qty Req	Price Each	Order Quantity
18	R203968	203968	Fork - Release	2	32.60	
19	R204871	204871	Pawl - Main Gear Ductile	8	6.80	
20	R460012	460012	Pin - Cotter 3/32 x 3/4	8	0.23	
21	R315867	315867	Pin - Hardened Pawl	8	2.45	
22	R472205	472205	Plug - 3/8	2	1.55	
23	R400406	400406	Bolt - Hex HD 1/2-13 x 1-1/4	8	1.45	
24	R108126	108126	Axle - Blitzer	1	152.15	
25	R327676	327676	Tab - Locking	2	0.95	
26	R204119	204119	Cap - Hub	2	26.05	
28	R446154	446152, 446154	Washer - Lock 1/2	8	0.26	
29	R203984	203984	Hub - Ground Wheel	2	114.70	
30	R315967	315967	Seal - Cover	2	9.20	
31	R407706	407706	Screw - Housing Cover	18	0.35	
32	R302295	302295	Washer	2	0.45	
33	R331834	331834	Gear - Int. Ductile Steel	2	98.20	
34	R315978	315978	Sleeve - Bearing	2	2.35	
<i>Tech Note: Rotates in same direction of gear rotation:</i>						
35	R315977	315977	Bearing - Int Gear	2	6.05	
36	R472203	472203	Plug - 1/4	2	1.20	
37	R315877	315877	Key - Pinion Gear	4	2.15	
38	R109550	109550	Housing - Gear LH Fits Blitz	1	314.35	
38	R109551	109551	Housing - Gear RH Fits Blitz	1	314.35	

All original equipment manufacturers names and part numbers are used for identification purposes only, and we are in no way implying that our products are original equipment parts. Prices subject to change without notice.



Replaces Jacobsen Blitzer Parts

Cutting Unit
Reel & Bedknife



Item No	R&R Part No.	OEM Part No.	Description	Qty Req	Price Each	Order Quantity
39	R545515	545515	Stud - Ground Wheel	2	16.05	
40	R408052	408052	Screw - 12-24 x 1/2 Bind HD	10	0.51	
41	R352635	352635	Cap - Cover	2	5.40	
42	R315876	315876	Gasket - Insp Plate	2	0.51	
43	R203986	203986	Cover - Housing	2	64.95	
44	R315928	315928	Gasket - Cover	2	3.85	
45	R444742	444742	Nut - 3/4-16 Gripco Centerlock	2	2.30	
45	R3296-15	3296-15, 367029, 444742	Locknut - 3/4-16 Nylon Jam	2	2.15	
46	R315843	315843	Gear - Pinion	2	27.70	
47	R500711	500711	Bearing - with Cup	2	19.75	
47	R315914	315914	Tapered Bearing Cone	2	13.30	
48	R302755	302755	Cup - Bearing	2	7.40	
49	R315910	315910	Spacer	1	1.10	
50	R315872	315872, 336781	Seal - Reel	2	4.20	
51	R315873	315873	Seal - Washer	2	0.46	
52	R443828	443828	Nut - 5/8-18 Hex	2	0.62	
53	R447224	447224	Washer - Lock 5/8 Int Star Z	2	0.40	
54	R315909	315909	Stud - Bedknife Backing	2	17.05	
54	R500264	500264	Stud - with Bushing	2	23.35	
55	R545723	545723	Bushing - For Backing Stud	2	6.80	
56	R400266	400266	Bolt - Hex HD 3/8-16 x 1-1/2	2	0.66	

All original equipment manufacturers names and part numbers are used for identification purposes only, and we are in no way implying that our products are original equipment parts. Prices subject to change without notice.



Replaces Jacobsen Blitzer Parts

Cutting Unit
Reel & Bedknife



Item No	R&R Part No.	OEM Part No.	Description	Qty Req	Price Each	Order Quantity
57	R444510	444510	Nut - 3/8-16 Sq.	2	0.39	
58	R315851	315851	Stud - Intermediate	2	13.70	
59	R254-79	254-79, 4121175	Cup - Bearing	4	3.20	
<i>Tech Note: Use R254-79M installation mandrel to properly install race.:</i>						
60	R254-78	254-78, 385174, 4121174, 4135152	Tapered Bearing Cone	4	6.05	
66	R500763	500763	Bracket - Roller LH	1	43.05	
67	R500764	500764	Bracket - Roller RH	1	43.05	
68	R412003	412003	Screw - 1/2-13 x 1-1/2 Sq HD	2	1.40	
69	R443818	443818	Nut - 1/2-13 Hex Jam Zinc	2	0.35	
70	R500548	500548	Handle - Adjusting	2	29.95	
71	R312794	312794	Plug - Adj. Handle	2	0.32	
72	R315964	315964	Spring - Friction	2	3.25	
73	R315966	315966	Spring - Adjusting	2	4.15	
<i>Tech Note: Spring overall length is 2-3/4":</i>						
73	R315844	315844	Spring - Worn Reel	2	6.05	
<i>Tech Note: Special spring used for worn reels, 2-1/2" long:</i>						
74	R316351	316351	Screw - Adjusting Blitzer	2	8.75	
76	R130304	130304	Backing Bar - Bed Knife	1	219.10	
<i>Tech Note: Includes R545723:</i>						
77	R400106	400106	Bolt - Hex HD 1/4-20 x 5/8	2	0.28	

All original equipment manufacturers names and part numbers are used for identification purposes only, and we are in no way implying that our products are original equipment parts. Prices subject to change without notice.



Replaces Jacobsen Blitzer Parts

Cutting Unit
Reel & Bedknife



Item No	R&R Part No.	OEM Part No.	Description	Qty Req	Price Each	Order Quantity
78	R101270	402698, 403757	Screw - Bedknife 3/8-24 x 13/16	7	0.54	
79	R101271	445684	Nut - Bedknife	7	0.54	
80	R3254-6	3254-6, 446140, 446142	Washer - Lock 3/8	2	0.08	
81	R700480		Conversion Kit - Skid to Roller	1	165.15	
<i>Tech Note: Includes: 4 ea: R400336 Bolt, R446146 Washer, R453013 Washer; 2 ea: R400266 Bolt, R444510 Nut, R3254-6 Washer; 1 ea: R154217 Bracket, R154218 Bracket, R500763 Bracket & R500764 Bracket:</i>						
82	R500238	500238	Skid - w/Pin Fits Blitzer	1	150.50	
83	R154217	154217	Bracket - Support LH	1	45.30	
83	R154218	154218	Bracket - Support RH	1	45.30	
84	R461406	461406	Pin - Roll	2	1.20	
89	R358414	358414	Nut - Adjusting Lever	1	37.50	
90	R316133	316133	Spring - Lever Fits Blitzer	1	24.95	
<i>Tech Note: Use with pull frames only, will not fit Ranger or F10:</i>						
91	R110031	110031	Tube - Outer Lever Assy	1	36.50	
<i>Tech Note: Use with pull frames only, will not fit Ranger or F10:</i>						
92	R400456	400456	Bolt - Handle	1	2.85	
93	R319873	319873	Handle - Spring Lever	1	4.70	
94	R32146-11	443120	Locknut - 1/2-20 Center	1	0.78	
95	R318001	318001	Pin - Lock	1	5.70	
96	R460312	460312	Pin - Hair Cotter	1	0.69	
97	R316478	316478	Rod - Fits Blitzer Skid	1	7.45	

All original equipment manufacturers names and part numbers are used for identification purposes only, and we are in no way implying that our products are original equipment parts. Prices subject to change without notice.



Replaces Jacobsen Blitzer Parts

Cutting Unit
Reel & Bedknife



Item No	R&R Part No.	OEM Part No.	Description	Qty Req	Price Each	Order Quantity
99	R400336	400336	Bolt - Hex HD 7/16-14 x 1-1/4 GR5	4	0.70	
100	R453013	452008, 453013	Washer - Flat 7/16	4	0.26	
101	R446146	446146, 446148	Lock Washer - 7/16	4	0.23	
102	R500236	500236	Cylinder - Wheel	2	87.80	
<i>Tech Note: Includes 1 R500533 & R500534:</i>						
103	R500534	500534, R500534	Bearing - with Cup	4	11.80	
104	R500533	500533	Bearing - w/Cup and Ring	2	14.95	
105	R335677	325296, 335677	Lever - Fits Blitzer	1	36.95	
<i>Tech Note: Use with pull frames only, will not fit Ranger or F10:</i>						
106	R311957	311957	Ring - Nilos	2	3.55	
107	R453022	453022	Washer - 3/4 SAE	2	0.43	

All original equipment manufacturers names and part numbers are used for identification purposes only, and we are in no way implying that our products are original equipment parts. Prices subject to change without notice.