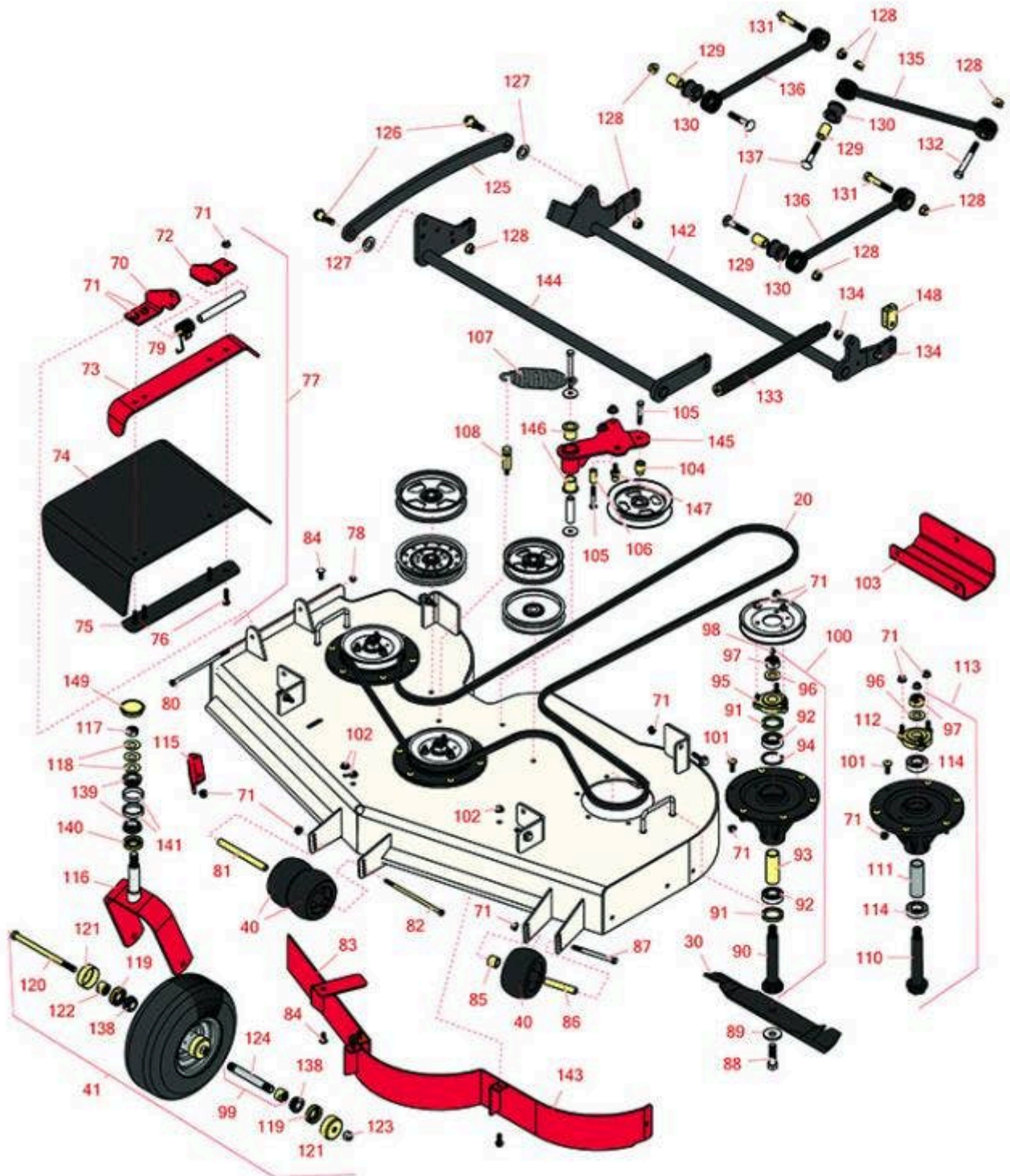




Replaces Toro Z Master Professional 5000 Parts

Zero Turn Mower with 48in deck - Model 74904
48in Side Discharge Deck



All original equipment manufacturers names and part numbers are used for identification purposes only, and we are in no way implying that our products are original equipment parts. Prices subject to change without notice.



Replaces Toro Z Master Professional 5000 Parts

Zero Turn Mower with 48in deck - Model 74904
48in Side Discharge Deck



Item No	R&R Part No.	OEM Part No.	Description	Qty Req	Price Each	Order Quantity
Belts						
20	R115-7407	115-7407	Belt- V	1	109.25	
Rotary Blades						
30	R107-3192-03	107-3192-03	Mower Blade - 16.5 in High-Flow	3	15.35	
30	R110-0414	110-0414	Mower Blade Kit - 16.5 in High-Flow Set/6	1	0.00	
Wheels						
40	R68-2730	1-603299, 68-2730	Wheel - Anti Scalp	3	7.85	
41	R127-9531	127-9531	Tire & Wheel - 13x5.00-6 - Grey	2	148.60	
Other Parts Available						
70	R106-3253-01	106-3253-01	Plate-Hinge, Front	1	22.95	
71	R104-8301	104-8301, 104-9301, 109-6658, 133-7570	Locknut - 3/8-16 Nylon Flanged	44	0.84	
72	R108-4059-01	108-4059-01	Plate-Hinge, Rear	1	22.95	
73	R106-3246-01	106-3246-01	Deflector	1	37.35	
74	R151416	108-5029, 110-0759, 151416	Deflector - Long	1	37.35	
75	R106-3248-03	106-3248-03	Strap - Discharge	1	14.20	
76	R3231-4	01-157-0440, 01-173-0612, 3231-4	Bolt - Carriage 3/8-16 x 1-1/2	4	1.20	
77	R108-2792	108-2792	Rubber Deflector Assy	1	97.35	
78	R3296-47	3296-47	Locknut - 5/16-18 Jam Nyloc	1	0.59	

All original equipment manufacturers names and part numbers are used for identification purposes only, and we are in no way implying that our products are original equipment parts. Prices subject to change without notice.



Replaces Toro Z Master Professional 5000 Parts

Zero Turn Mower with 48in deck - Model 74904
48in Side Discharge Deck



Item No	R&R Part No.	OEM Part No.	Description	Qty Req	Price Each	Order Quantity
79	R108-4052	108-4052	Spring - Torsion	1	14.60	
80	R322-50	322-50	Bolt - Hx HD 5/16-18 x 7 1/2	1	3.75	
81	R98-5967	98-5967	Spacer-Wheel	1	10.35	
82	R108-5388	108-5388	Bolt - Hx HD 3/8-16 x 7 1/2	1	9.25	
83	R115-7455-01	115-7455-01	Baffle Assy	1	73.05	
84	R3231-27	3231-27	Bolt - Carriage 3/8-16 x 7/8	8	0.53	
85	R98-7913	98-7913	Spacer - Tube	1	5.80	
86	R98-7912	98-7912	Bushing - Spanner Wheel	1	5.85	
87	R323-23	01-150-0810, 01-178-0636, 20-60-AGD, 323-23	Bolt - Hex HD 3/8-16 x 4-1/2	1	2.45	
88	R51-4060	51-4060	Bolt - Blade	3	4.55	
89	R103-0865	103-0865	Washer - Blade Bolt HD	3	4.80	
90	R119-8527	119-1851, 119-8527	Spindle Shaft and Zerk Assy	3	76.65	
91	R253-133	253-133	Seal - Oil	6	8.05	
92	R119-8558	119-8558, 76-7500	Bearing - Ball - Special	6	9.85	
93	R117-6184	117-6184	Spacer	3	7.50	
94	R119-8532	114-8161, 119-8532	Snap Ring	3	4.20	
95	R117-6172	117-6172	Spindle Hub Assy w/Studs	3	28.90	
96	R92-5836	92-5836	Flat Washer - Hardened	3	4.10	
97	R3296-67	3296-67	Locknut - 3/4-16 Heavy Jam RH Thread	3	3.75	

All original equipment manufacturers names and part numbers are used for identification purposes only, and we are in no way implying that our products are original equipment parts. Prices subject to change without notice.



Replaces Toro Z Master Professional 5000 Parts

Zero Turn Mower with 48in deck - Model 74904
48in Side Discharge Deck



Item No	R&R Part No.	OEM Part No.	Description	Qty Req	Price Each	Order Quantity
98	R471219	30-8360, 302-2, 302-24, 302-31, 302-52, 471219	Zerk - Grease	3	0.41	
99	R126-5360	126-5360	Axle- Caster w/Spacer Nut	2	18.15	
100	R119-8560	117-6157, 119-8560	Spindle Assy	3	201.95	
101	R114-8195	114-8195, R & R ONLY	Bolt- Ribbed Neck	18	2.95	
102	R32128-43	30-8990, 32128-43, 3290-357	Nut - Flanged Whiz - 3/8-16	3	0.62	
103	R121-7975-01	121-7975-01	Plate - Skid	1	14.35	
104	R112-4212	112-4212	Mount-Pulley	1	9.25	
105	R323-11	01-150-1440, 01-178-0618, 20-52-AD, 3224-7, 323-11	Bolt - 3/8-16 x 2 1/4 GR5	2	0.84	
106	R104-0151	104-0151	Spacer	1	10.95	
107	R116-6317	116-0133, 116-6317	Spring - Extension	1	17.50	
108	R114-5867	114-5867	Anchor - Spring - Tall	1	12.05	
110	R127-0556	127-0556	Shaft- Spindle	3	33.10	
111	R127-0554	127-0554	Spacer - Bearing	3	11.70	
112	R127-0557	127-0557	Spindle Hub Assy w/Studs	3	28.90	
113	R127-0560	127-0560	Spindle Assy - No Grease	3	274.70	

All original equipment manufacturers names and part numbers are used for identification purposes only, and we are in no way implying that our products are original equipment parts. Prices subject to change without notice.



Replaces Toro Z Master Professional 5000 Parts

Zero Turn Mower with 48in deck - Model 74904
48in Side Discharge Deck



Item No	R&R Part No.	OEM Part No.	Description	Qty Req	Price Each	Order Quantity
114	R116-0720	116-0720	Bearing - Ball - Special Triple Seal	2	9.30	
115	R107-8541-01	107-8541-01	Baffle - Discharge	1	12.65	
116	R116-6702-01	116-6702-01	Fork-Caster	2	64.25	
117	R3296-51	3296-51, 3296-81	Nut - Nylon Lock 3/4-10 Gr 8	2	5.70	
118	R1-633508	1-633508	Washer - Spring Disc	6	3.10	
119	R103-0063	103-0063	Seal - Grease	4	5.15	
120	R325-42	325-42	Bolt - 1/2-13 x 8 Hex Head Gr 5	2	10.30	
121	R103-2768	103-2768	Guard - Seal	4	3.45	
122	R103-3051	103-3051	Spacer - Nut - Hardened	4	7.45	
123	RF5003	32127-29, 32131-5, 32132-5, 3296-23	Locknut - ESNA 1/2-13	2	0.78	
124	R103-3155	103-3155	Axle - Caster	2	21.05	
125	R116-0797-03	116-0797-03	Link-Lift - Deck	1	78.60	
126	R116-0780	116-0780	Bolt - Hx HD Fl Shoulder	2	8.45	
127	R453022	01-166-0480, 01-166-1220, 21-3880, 217-21, 30-8550, 30-9110, 3256-28, 3256-44, 46-9030, Mar-71	Washer - 3/4 SAE	2	0.43	
128	R32128-23	32128-23, 3218-23, 99-5107	Nut - Lock Hex Flanged 1/2-13	6	1.45	

All original equipment manufacturers names and part numbers are used for identification purposes only, and we are in no way implying that our products are original equipment parts. Prices subject to change without notice.



Replaces Toro Z Master Professional 5000 Parts

Zero Turn Mower with 48in deck - Model 74904
48in Side Discharge Deck



Item No	R&R Part No.	OEM Part No.	Description	Qty Req	Price Each	Order Quantity
129	R109-5010	109-5010	Spacer	6	3.65	
130	R109-5009	109-5009	Bushing - Suspension - Rubber	6	2.95	
131	R325-12	01-150-0320, 01-150-0880, 01-178-0824, 20-93-AD, 325-12	Bolt - Hx HD	1	5.35	
132	R325-17	01-150-0640, 01-150-0850, 01-178-0832, 01-178-0836, 20-97-AGD, 325-17, 325-18, 48-9260	Bolt - Hex Head	1	2.75	
133	R116-0886	116-0886	Spring - Extension	1	86.85	
134	R32128-37	32128-37	Nut - 7-16-14 Hx Serr Fl	2	3.25	
135	R109-5013	109-5013	Panhard Rod Assy	1	76.35	
136	R109-7952	109-7952	Deck Strut Assy	2	76.70	
137	R3233-34	3233-34	Carriage Bolt - 1/2-13 x 2 1/2 Grade 5	3	7.15	
138	R254-78	01-102-0060, 01-102-0130, 1-633585, 254-78, 32-7790, 32-9580, 93-4813	Tapered Bearing Cone	4	6.05	
139	R254-94	1-543509, 254-94, 32-8090, 32-8240, 32-9640, 40440, 62-3330	Tapered Bearing Cone	4	7.15	

All original equipment manufacturers names and part numbers are used for identification purposes only, and we are in no way implying that our products are original equipment parts. Prices subject to change without notice.



Replaces Toro Z Master Professional 5000 Parts

Zero Turn Mower with 48in deck - Model 74904
48in Side Discharge Deck



Item No	R&R Part No.	OEM Part No.	Description	Qty Req	Price Each	Order Quantity
140	R116-5647	116-5647	Seal - Grease	2	3.05	
141	R254-72	01-103-0050, 01-103-0120, 01-103-0140, 1-543508, 254-71, 254-72, 40439, 62-3340, 99-4511	Cup - Bearing	4	3.85	
142	R116-0459-03	116-0459-03	Lift - Rear Deck	1	193.20	
143	R114-5862-01	114-5862-01	Baffle	1	96.05	
144	R126-2475-03	116-2217-03, 126-2475-03	Decklift - Front	1	113.95	
145	R114-5870	114-5870	Idler Arm Assy with Bushings	1	117.15	
146	R1-303514	1-303514	Bearing - Flanged	2	13.15	
147	R132-4729	132-4729	Anchor - Spring - Short	1	9.65	
148	R109-9066	109-9066	Yoke - Adjust - Deck	4	4.80	
149	R103-4882	103-4882	Grease Cap - Castor	2	4.20	

All original equipment manufacturers names and part numbers are used for identification purposes only, and we are in no way implying that our products are original equipment parts. Prices subject to change without notice.