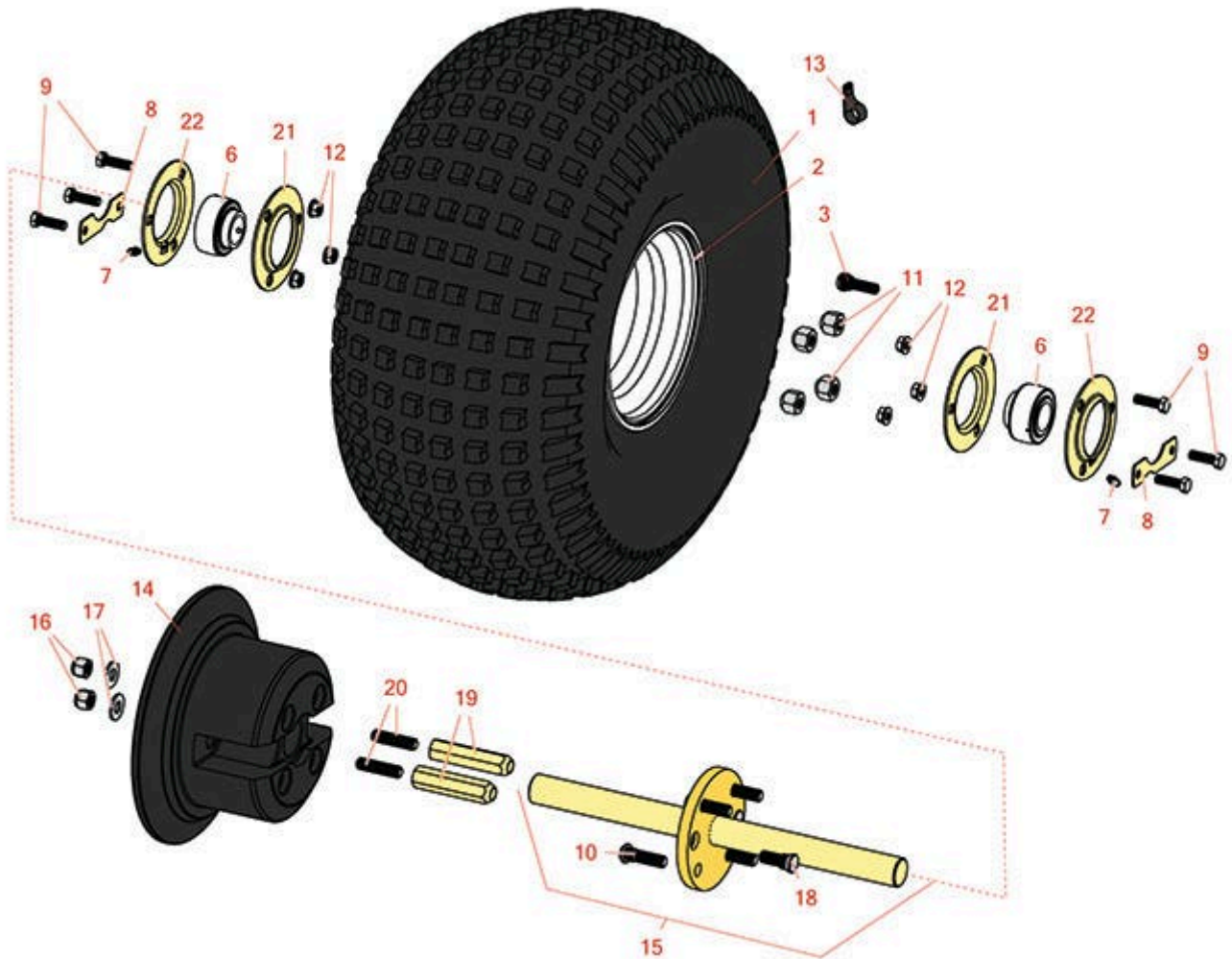




# Replaces Toro Sand Pro 2020 Parts

Traction Unit - Model 08884 & 08887

Front Wheel & Steering



All original equipment manufacturers names and part numbers are used for identification purposes only, and we are in no way implying that our products are original equipment parts. Prices subject to change without notice.



# Replaces Toro Sand Pro 2020 Parts

Traction Unit - Model 08884 & 08887

Front Wheel & Steering



| Item No | R&R Part No. | OEM Part No. | Description | Qty Req | Price Each | Order Quantity |
|---------|--------------|--------------|-------------|---------|------------|----------------|
|---------|--------------|--------------|-------------|---------|------------|----------------|

### Tires

|   |                 |  |  |   |               |  |
|---|-----------------|--|--|---|---------------|--|
| 1 | <b>R95-0621</b> | 95-0621  | Tire w/Wheel - 22x11.00-8 Nhs (2 Ply)<br>Carlisle Knobby | 1 | <b>180.65</b> |  |
| 2 | <b>R94-6116</b> | 114-4643,<br>242-53,<br>242-86,<br>46-4810,<br>94-6116 | Rim - 8x8.5 White  | 1 | <b>70.60</b>  |  |
| 3 | <b>R232-24</b>  | 232-24,<br>232-35                                      | Stem - Valve w/ Cap                                      | 1 | <b>3.25</b>   |  |

### Other Parts Available

|    |                 |  |                                 |   |              |  |
|----|-----------------|--|---------------------------------|---|--------------|--|
| 6  | <b>R251-352</b> | 251-352  | Bearing                         | 2 | <b>22.65</b> |  |
| 7  | <b>R302-5</b>   | 21-6010,<br>302-11,<br>302-37,<br>302-47,<br>302-5,<br>302-57,<br>302-58,<br>302-6,<br>31-0300,<br>32-9660,<br>60-0800,<br>62-3880,<br>92-4181 | Fitting - Grease                | 2 | <b>0.27</b>  |  |
| 8  | <b>R88-8350</b> | 88-8350  | Tab-Bearing                     | 2 | <b>4.65</b>  |  |
| 9  | <b>R323-6</b>   | 01-150-0010,<br>01-178-0608,<br>20-47-AD,<br>20-47-AGD,<br>3224-2,<br>323-6,<br>49-3510,<br>908034P,<br>908332                                 | Bolt - Hex HD 3/8-16 x 1 GR5 YZ | 6 | <b>0.59</b>  |  |
| 10 | <b>R10-6830</b> | 10-6830,<br>75-9440  | Stud - Wheel 1/2-20 x 1 3/4     | 4 | <b>8.50</b>  |  |

All original equipment manufacturers names and part numbers are used for identification purposes only, and we are in no way implying that our products are original equipment parts. Prices subject to change without notice.



# Replaces Toro Sand Pro 2020 Parts

*Traction Unit - Model 08884 & 08887*

*Front Wheel & Steering*



| Item No | R&R Part No.        | OEM Part No.   | Description               | Qty Req | Price Each    | Order Quantity |
|---------|---------------------|--|---------------------------|---------|---------------|----------------|
| 11      | <b>R242-50</b>      | 242-50   | Nut - 1/2-20 Wheel        | 4       | <b>1.50</b>   |                |
| 12      | <b>R3296-39</b>     | 32127-25,<br>32128-36,<br>3290-357,<br>3296-17,<br>3296-22,<br>3296-39,<br>915663P,<br>99-7443 | Locknut - 3/8-16 Nylon    | 3       | <b>1.40</b>   |                |
| 13      | <b>R2412-41</b>     | 2412-41  | Clamp                     | 2       | <b>4.80</b>   |                |
| 14      | <b>R112-7641-03</b> | 112-7641-03  | Weight - Wheel            | 1       | <b>327.90</b> |                |
| 15      | <b>R112-7673</b>    | 112-7673   | Axle Shaft Assy           | 1       | <b>282.95</b> |                |
| 16      | <b>RF5003</b>       | 32127-29,<br>32131-5,<br>32132-5,<br>3296-23   | Locknut - ESNA 1/2-13     | 2       | <b>0.78</b>   |                |
| 16      | <b>R3296-19</b>     | 30-5020,<br>32118-3,<br>32127-26,<br>32127-41,<br>3296-19,<br>60-6530                          | Locknut - 1/2-20          | 2       | <b>1.55</b>   |                |
| 17      | <b>R87-7270-01</b>  | 87-7270,<br>87-7270-01   | Washer - Flat 1/2         | 2       | <b>0.29</b>   |                |
| 18      | <b>R108-7662</b>    | 108-7662   | Stud - Wheel - 1/2-20 x 2 | 2       | <b>3.25</b>   |                |
| 19      | <b>R107-3399</b>    | 107-3399   | Adapter-Weight, Wheel     | 2       | <b>20.95</b>  |                |
| 20      | <b>R110-6311</b>    | 110-6311   | Stud - Hardened           | 2       | <b>7.15</b>   |                |
| 21      | <b>R85-8950</b>     | 85-8950  | Flange - Ball Bearing     | 2       | <b>6.15</b>   |                |
| 22      | <b>R85-8940</b>     | 85-8940  | Flange - w/Zerk           | 2       | <b>5.15</b>   |                |

All original equipment manufacturers names and part numbers are used for identification purposes only, and we are in no way implying that our products are original equipment parts. Prices subject to change without notice.