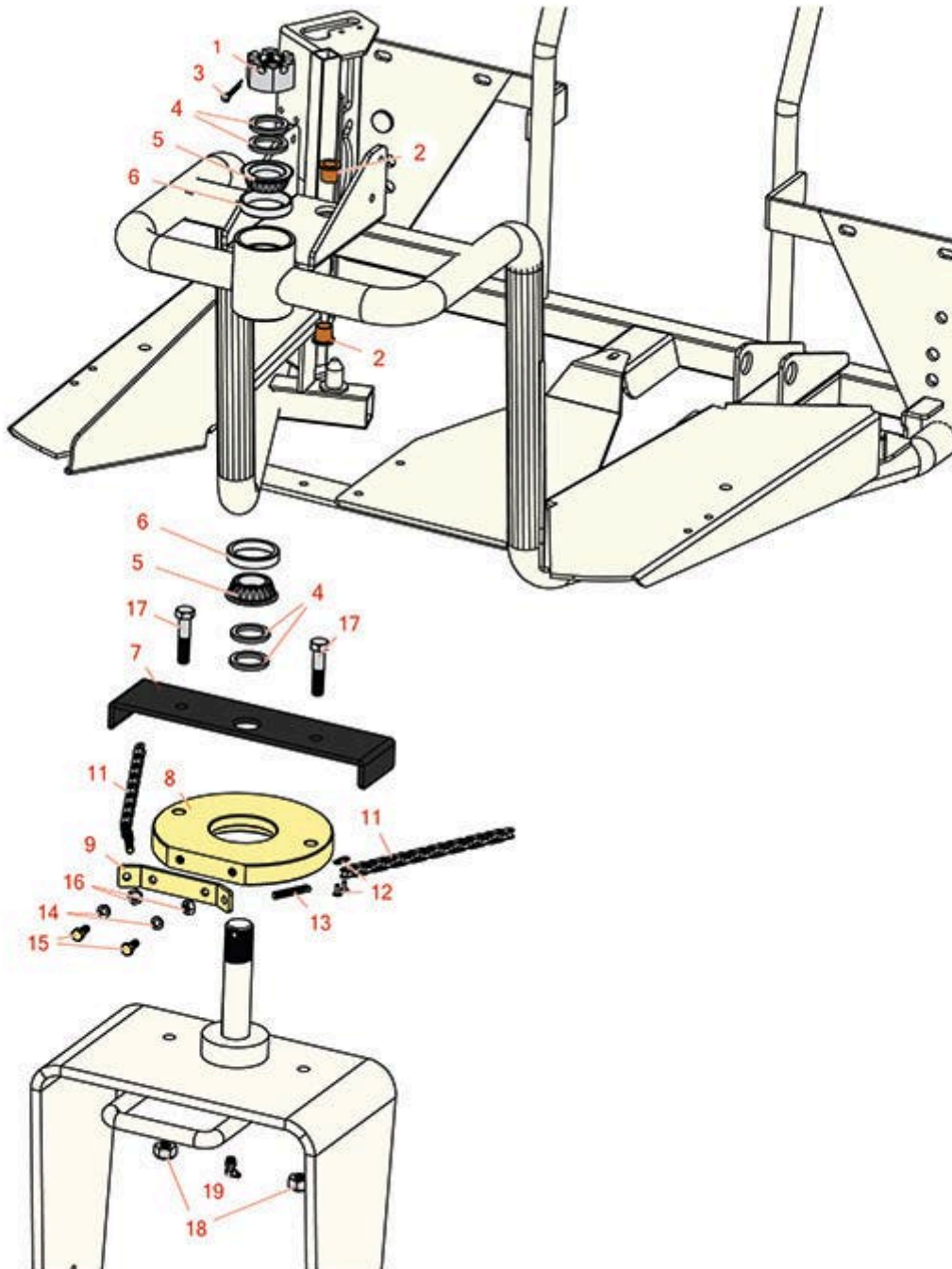




# Replaces Toro Sand Pro 2020 Parts

Traction Unit - Model 08884 & 08887

Front Caster Fork



All original equipment manufacturers names and part numbers are used for identification purposes only, and we are in no way implying that our products are original equipment parts. Prices subject to change without notice.



# Replaces Toro Sand Pro 2020 Parts

*Traction Unit - Model 08884 & 08887*

*Front Caster Fork*



Item No	R&R Part No.	OEM Part No.	Description	Qty Req	Price Each	Order Quantity
1	<b>R32136-9</b>	32136-9	Nut - 1-1/4-12 Slotted	1	<b>6.30</b>	
2	<b>R65-8770</b>	65-8770	Bushing	2	<b>4.80</b>	
3	<b>R3272-37</b>	3272-37	Pin - Cotter 1/4 x 2-1/2	1	<b>0.54</b>	
4	<b>R18-6320</b>	18-6320	Washer - Steering Fork	4	<b>3.15</b>	
5	<b>R254-70</b>	115-9472, 254-70	Tapered Bearing Cone - w/Seal	2	<b>19.40</b>	
6	<b>R254-61</b>	01-103-0090, 115-9471, 254-61, 92-0611, 93-4850	Cup	2	<b>6.70</b>	
7	<b>R92-7179-01</b>	92-7179-01	Plate-Stop, Fork	1	<b>26.25</b>	
8	<b>R98-0924-01</b>	98-0924, 98-0924-01	Guide-Chain	1	<b>125.30</b>	
9	<b>R98-0925</b>	98-0925	Bracket-Chain	1	<b>17.05</b>	
11	<b>R92-5039</b>	92-5039	Chain - Steering	2	<b>24.90</b>	
12	<b>R2710-11</b>	01-251-0210, 2710-11, 30-0150	Link - Connecting NO.40 NP	2	<b>2.35</b>	
13	<b>R18-6380</b>	18-6380	Pin - Adjustment Steering	2	<b>7.90</b>	
14	<b>R3253-4</b>	01-166-0110, 01-166-0510, 23-10-GD, 24-7170, 30-8520, 3253-4, 42-9850, 48-9350, 48-9360, 48-9570, 68-9420, 99-7577	Washer - Lock 5/16 Zinc	2	<b>0.14</b>	

All original equipment manufacturers names and part numbers are used for identification purposes only, and we are in no way implying that our products are original equipment parts. Prices subject to change without notice.



# Replaces Toro Sand Pro 2020 Parts

*Traction Unit - Model 08884 & 08887*

*Front Caster Fork*



Item No	R&R Part No.	OEM Part No.	Description	Qty Req	Price Each	Order Quantity
15	<b>R322-3</b>	01-150-1420, 01-178-0506, 20-24-AD, 20-24-AGD, 322-3, 48-9270, 513339, 908017P	Bolt - Hex HD 5/16-18 x 3/4	2	<b>0.62</b>	
16	<b>R444754</b>	01-189-0518, 3296-4	Locknut - 5/16-24 Center	2	<b>0.43</b>	
17	<b>R325-10</b>	01-150-0620, 01-178-0820, 20-91-AGD, 3226-6, 325-10	Bolt	2	<b>3.25</b>	
18	<b>R3296-25</b>	30-3380, 32127-21, 32127-31, 3290-160, 3290-33, 3296-13, 3296-25, 3296-45, 329645	Locknut - 1/2-13 Heavy ESNA	2	<b>2.15</b>	
19	<b>R323016</b>	302-33, 323016	Zerk - Grease	1	<b>0.80</b>	

All original equipment manufacturers names and part numbers are used for identification purposes only, and we are in no way implying that our products are original equipment parts. Prices subject to change without notice.