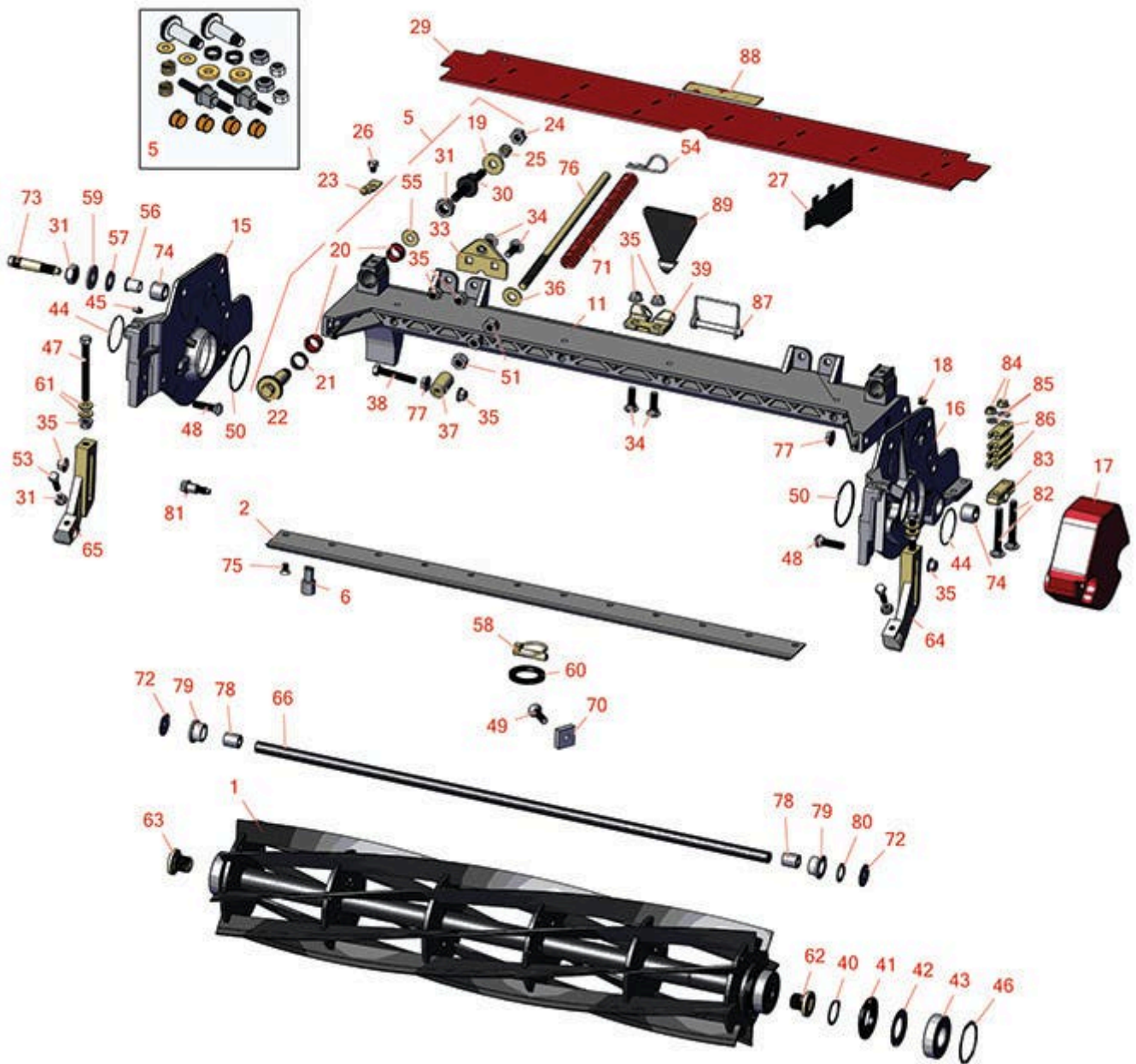




Replaces Toro Reelmaster 7000-D Parts

32in DPA Cutting Unit - Model 03727

Reel & Bedknife



All original equipment manufacturers names and part numbers are used for identification purposes only, and we are in no way implying that our products are original equipment parts. Prices subject to change without notice.



Replaces Toro Reelmaster 7000-D Parts

32in DPA Cutting Unit - Model 03727

Reel & Bedknife



Item No	R&R Part No.	OEM Part No.	Description	Qty Req	Price Each	Order Quantity
R&R Reels Lifetime Guaranteed						
1	R133-0193	133-0193	Reel - 5 Blade Razor Series Radial 32x7	1	524.90	
1	R137-8482	137-8482	Reel - 5 Blade Razor Series Radial w/Bearings and Seals 32x7	1	572.95	
1	R137-8483	137-8483	Reel - 8 Blade Razor Series Radial w/Bearings and Seals 32x7	1	601.35	
1	R133-0195	133-0195	Reel - 8 Blade Razor Series Radial Low Drag w/Bearings and Seals 32x7	1	548.85	
R&R Bedknife, Lifetime Guaranteed						
2	R114-9389	114-9389	Bedknife - 32 in Unit - Standard	1	62.60	
2	R114-9391	114-9391	Bedknife - 32 in Unit - Heavy Duty	1	62.80	
R&R Razor Tool Steel Bedknives, Lifetime Guaranteed						
2	R112-8956	112-8956	Bedknife - Razor Tool Steel - 32 x 3/8 Fairway	1	121.55	
Overhaul Kits						
5	R120-7230	120-7230	Overhaul Kit - Fits DPA Units	0	180.50	
<i>Tech Note: Incl 2 ea.: R108-0015, R115-7039, R119-4155, R120-5116, R120-5118, R120-5120, R3296-33, R3296-48 & 4 ea: R106-5344:</i>						
6	R51-0880	51-0880	Bedknife Screw Driver Tool	0	35.65	
Other Parts Available						
11	R112-8978	112-8978	Frame - Center 32 in Unit	1	296.70	
15	R137-5967	137-5967	Side Plate Assy - 7 in RH Aluminum	1	211.60	
16	R137-5963	137-5963, 137-5967	Side Plate Assy - 7 in LH Aluminum	1	211.60	
17	R108-4269-01	108-4269-01	Weight	1	82.65	

All original equipment manufacturers names and part numbers are used for identification purposes only, and we are in no way implying that our products are original equipment parts. Prices subject to change without notice.



Replaces Toro Reelmaster 7000-D Parts

32in DPA Cutting Unit - Model 03727

Reel & Bedknife



Item No	R&R Part No.	OEM Part No.	Description	Qty Req	Price Each	Order Quantity
18	R170714	302-34, 302-39, 62-3520	Fitting - Pressure Relief	2	2.25	
19	R119-4155	119-4155	Washer - Hardened	2	7.50	
20	R106-5344	106-5344	Bushing - Flanged and Keyed	4	5.05	
21	R120-5116	120-5116	Washer - Wave	2	6.90	
22	R120-5118	120-5118	Shaft - Adjuster	2	31.05	
<i>Tech Note: 2012 & Newer:</i>						
23	R99-2097	99-2097	Detent - Bed Bar Adjuster	2	8.75	
24	R3296-48	119-4039, 32146-7, 3296-34, 3296-48	Locknut - 7/16-14 ESNA	2	0.55	
25	R120-5120	120-5120	Spring - Compression	2	2.35	
26	R114-9396	114-9396, 119-4067	Bolt - Hex HD 5/16-18 x 3/8	2	1.45	
27	R110-1706	110-1706	Deflector	7	3.40	
29	R112-8983	112-8983	Front Grass Shield Assy - 32 in Units	1	44.65	
30	R115-7039	115-7039	Screw - Adjuster - Bedbar	2	29.85	
<i>Tech Note: 2012 & Newer:</i>						
31	R3296-33	3296-33	Locknut - 5/8-18 ESNA Jam	2	1.30	
<i>Tech Note: 2012 & Newer:</i>						
33	R110-4069	110-4069	Bracket	1	7.05	

All original equipment manufacturers names and part numbers are used for identification purposes only, and we are in no way implying that our products are original equipment parts. Prices subject to change without notice.



Replaces Toro Reelmaster 7000-D Parts

32in DPA Cutting Unit - Model 03727

Reel & Bedknife



Item No	R&R Part No.	OEM Part No.	Description	Qty Req	Price Each	Order Quantity
34	R3231-25	01-173-0610, 30-9970, 3231-25, 3231-3, 900064P	Bolt - Carriage 3/8-16 x 1-1/4	4	0.66	
35	R104-8301	104-8301, 104-9301, 109-6658, 133-7570	Locknut - 3/8-16 Nylon Flanged	7	0.84	
36	R87-7270-01	87-7270, 87-7270-01	Washer - Flat 1/2	1	0.29	
37	R99-8662	99-8662	Tube - Spring	1	11.55	
38	R104-3396	104-3396	Bolt - Hex HD 3/8-16 x 2-1/4	1	1.55	
39	R110-4058	110-4058	Bracket - Chain	1	19.40	
40	R92-2601	92-2601	Snap Ring	2	2.45	
41	R127-4284	127-4284	Washer - Special	2	3.85	
42	R115-3299	115-3299	Seal- Flocked	2	11.40	
43	R115-3296	115-3296	Bearing	2	23.50	
44	R112-6967	112-6967	O-Ring	2	1.95	
45	R302-5	21-6010, 302-11, 302-37, 302-47, 302-5, 302-57, 302-58, 302-6, 31-0300, 32-9660, 60-0800, 62-3880, 92-4181	Fitting - Grease	2	0.27	

All original equipment manufacturers names and part numbers are used for identification purposes only, and we are in no way implying that our products are original equipment parts. Prices subject to change without notice.



Replaces Toro Reelmaster 7000-D Parts

32in DPA Cutting Unit - Model 03727

Reel & Bedknife



Item No	R&R Part No.	OEM Part No.	Description	Qty Req	Price Each	Order Quantity
46	R105-5700	105-5700, 115-5258	Wave Washer - Bearing	1	2.55	
47	R107-4026	107-4026	Bolt - Hex Tap 3/8-16 x 3-3/4	2	6.25	
48	R3231-4	01-157-0440, 01-173-0612, 3231-4	Bolt - Carriage 3/8-16 x 1-1/2	2	1.20	
49	R3289-17	3289-17	Screw - 3/8-16 x 1 1/2 Fl Soc HD	2	2.85	
50	R117-8177	117-8177	O-Ring	2	2.45	
51	R443818	01-191-0813, 3218-18, 3218-5, 3248-18	Nut - 1/2-13 Hex Jam Zinc	2	0.35	
53	R322-16	322-16, Apr-00	Bolt - Hex HD 5/16-18 x 1-1/8	2	1.65	
54	R92-2762	92-2762	Pin - Snap	1	1.50	
55	R108-0015	108-0015	Washer - Flat	2	1.20	
56	R56-9520	56-9520	Bushing - Nyliner	2	1.55	
57	R61-1950	61-1950	Washer - Nylon - Bed Bar	2	0.64	
58	R283-71	283-71	Pin - Lynch Heavy Duty	1	2.45	
59	R453017	01-166-0050, 01-166-0240, 01-166-0800, 24-13-AD, 24-14-AD, 32-8110, 3256-26, 3256-6, 453017, 69-8980, 87-7270	Washer - Flat 1/2	2	0.28	
60	R94-8946	94-1427, 94-8946	Washer - Thrust	1	3.15	

All original equipment manufacturers names and part numbers are used for identification purposes only, and we are in no way implying that our products are original equipment parts. Prices subject to change without notice.



Replaces Toro Reelmaster 7000-D Parts

32in DPA Cutting Unit - Model 03727

Reel & Bedknife



Item No	R&R Part No.	OEM Part No.	Description	Qty Req	Price Each	Order Quantity
61	R453011	01-166-0100, 01-166-0120, 01-166-0270, 01-166-0500, 01-166-0600, 01-166-0620, 132-4593, 2356-3, 237-12, 24-10-AD, 24-11-AD, 24-11-BD, 24-12-AD, 24-12-BD, 30-9310, 32-8190, 3256-24, 3256-3, 3256-36, 3256-4, 453011, 47-9950, 48-9220, 513458, 7-0052	Washer - Flat 3/8 SAE Y/Zinc	4	0.11	
62	R127-7111	127-7111	Insert-Threaded - 7 in Reel (LH)	1	25.40	
63	R127-7109	127-7109	Insert-Threaded - 7 in Reel (RH)	1	25.40	
64	R120-0404	120-0404	Bracket- High HOC - LH	1	53.80	
<i>Tech Note: Fits 2011 & Newer:</i>						
65	R120-0405	120-0405	Bracket - High HOC - RH	1	53.80	
<i>Tech Note: Fits 2011 & Newer:</i>						
66	R119-4262	119-4262	Tube - Support - 32 in Units	1	49.80	
70	R119-1603	119-1603	Spacer - Pivot	2	13.60	
71	R119-4285	119-4285	Spring - Compression	1	41.60	
72	R130-8094	130-8094	Washer	2	4.70	

All original equipment manufacturers names and part numbers are used for identification purposes only, and we are in no way implying that our products are original equipment parts. Prices subject to change without notice.



Replaces Toro Reelmaster 7000-D Parts

32in DPA Cutting Unit - Model 03727

Reel & Bedknife



Item No	R&R Part No.	OEM Part No.	Description	Qty Req	Price Each	Order Quantity
73	R106-9623	106-9623	Bolt - Bedbar	2	14.15	
74	R106-9618	106-9618	Bushing - Rubber	2	7.90	
75	R119-4151	119-4151	Screw - Bedknife 5/16-18 x 17/32	10	0.29	
76	R115-2007	107-7437, 115-2007	Rod - Spring	1	20.45	
77	R32128-43	30-8990, 32128-43, 3290-357	Nut - Flanged Whiz - 3/8-16	7	0.62	
78	R108-4279	108-4279	Spacer - Frame	2	6.75	
79	R93-2877	93-2877	Bushing - Flanged	2	3.65	
80	R67-9410	67-9410	Washer - Clevis Pin	2	1.55	
81	R107-2979	107-2979	Bolt - Shoulder	6	3.25	
82	R3230-26	3230-26	Screw - Carriage 5/16-18 x 3	4	3.40	
82	R3230-30	3230-30	Bolt - Carriage 5/16x4 1/2	4	6.30	
83	R106-3924	106-3924	Bracket - Rear Roller	2	15.70	
84	R104-8300	104-8300, 104-8300, 119-4041	Locknut - 5/16-18 Flanged Y/Zinc	4	0.47	
85	R94-6936	94-6936, 94-9236	Washer - Hardened - 5/16 SAE	4	0.57	
86	R119-0626	119-0626	Shim - Roller - 1/4 in - Slotted	12	5.45	
87	R107-7400	107-7400	Pin - Lynch	1	6.95	
88	R93-6688	93-6688	Decal - Warning	1	2.30	
89	R110-4088-03	110-4088-03, 119-8010-03	Kickstand	1	21.25	

All original equipment manufacturers names and part numbers are used for identification purposes only, and we are in no way implying that our products are original equipment parts. Prices subject to change without notice.