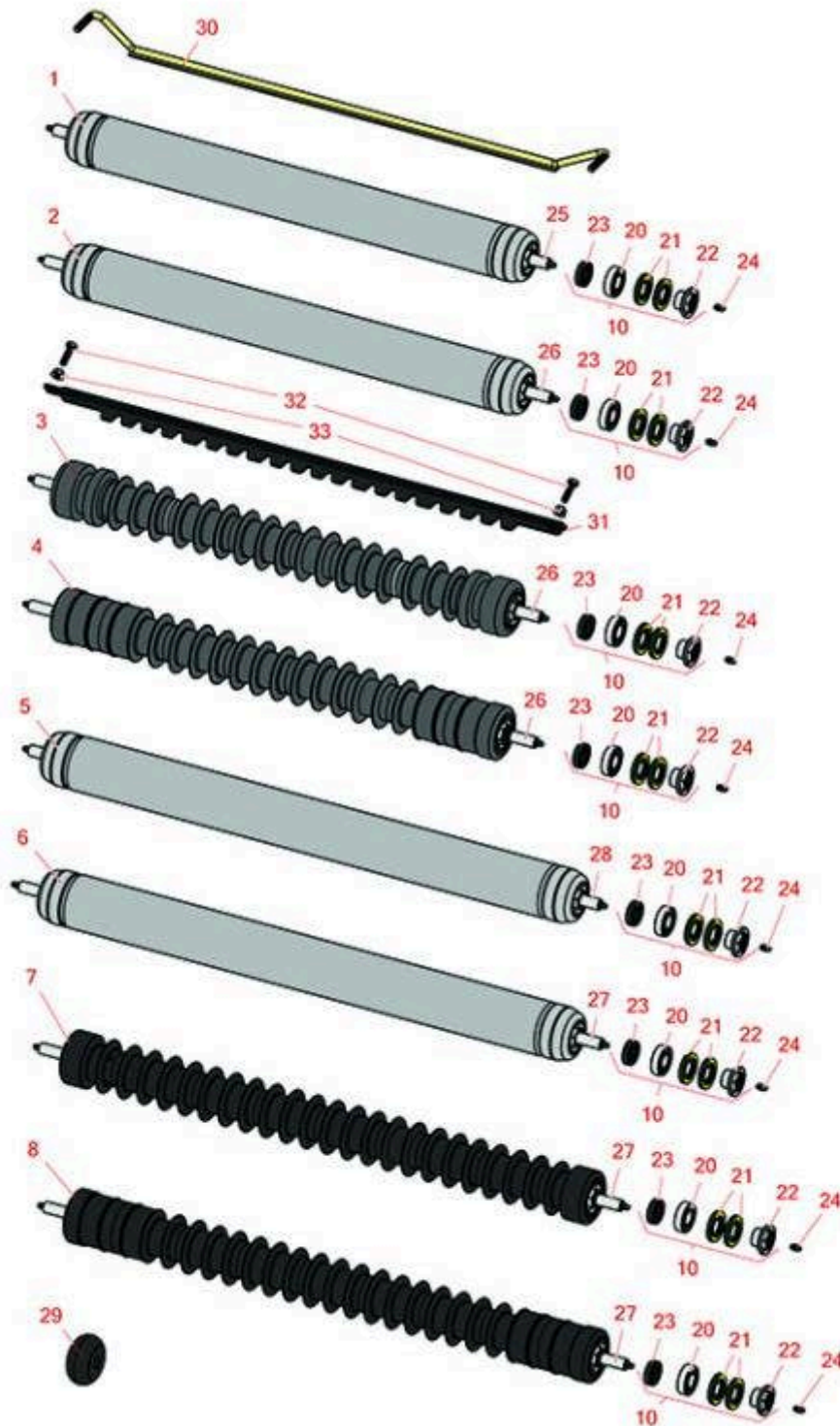




Replaces Toro Reelmaster 7000-D Parts

27in DPA Cutting Unit - Models 03721 & 03722
Rollers



All original equipment manufacturers names and part numbers are used for identification purposes only, and we are in no way implying that our products are original equipment parts. Prices subject to change without notice.



Replaces Toro Reelmaster 7000-D Parts

27in DPA Cutting Unit - Models 03721 & 03722
Rollers



Item No	R&R Part No.	OEM Part No.	Description	Qty Req	Price Each	Order Quantity
---------	--------------	--------------	-------------	---------	------------	----------------

R&R Rollers to fit 27" Units

1	R112-8915	112-8915	Roller - Smooth Rear Steel - Long - 27" Units	0	353.20	
---	------------------	----------	---	---	---------------	--

Tech Note: Constructed with a through shaft, this heavy-duty roller uses greasable ball bearings.:

2	R114-9383	114-9383	Roller - Smooth Steel - 27" Units	0	325.85	
---	------------------	----------	-----------------------------------	---	---------------	--

Tech Note: Constructed with a through shaft, this heavy-duty roller uses greasable ball bearings.:

3	R1503990	117-0960	Roller - Fusion Grooved UHMW Polyethylene - 27" Units	0	373.70	
---	-----------------	----------	---	---	---------------	--

Tech Note: 3" Dia. Fusion Rollers combine the best features of our UHMW plastic rollers with a heavy-duty internal bearing system. Machined from solid UHMW plastic that prevents build-up of debris. This roller has a patented deep groove des... <Click Part# for more>:

4	R1503995	119-0630	Roller - Fusion Grooved UHMW Polyethylene Shoulder - 27" Units	0	373.70	
---	-----------------	----------	--	---	---------------	--

Tech Note: 3" Dia. Fusion Rollers combine the best features of our UHMW plastic rollers with a heavy duty internal bearing system. Machined from solid UHMW plastic that prevents build-up of debris. This roller has a patented deep groove des... <Click Part# for more>:

R&R Rollers to fit 32" Units

5	R112-8961	112-8961	Roller - Smooth Rear Steel - Long - 32" Units	0	377.75	
---	------------------	----------	---	---	---------------	--

Tech Note: Constructed with a through shaft, this heavy-duty roller uses greasable ball bearings.:

6	R114-9384	114-9384	Roller - Smooth Front Steel - 32" Units	0	369.70	
---	------------------	----------	---	---	---------------	--

Tech Note: Constructed with a through shaft, this heavy-duty roller uses greasable ball bearings.:

7	R1503985	117-0990	Roller - Fusion Grooved UHMW Polyethylene - 32" Units	0	401.85	
---	-----------------	----------	---	---	---------------	--

Tech Note: 3" Dia. Fusion Rollers combine the best features of our UHMW plastic rollers with a heavy-duty internal bearing system. Machined from solid UHMW plastic that prevents build-up of debris. This roller has a patented deep groove des... <Click Part# for more>:

All original equipment manufacturers names and part numbers are used for identification purposes only, and we are in no way implying that our products are original equipment parts. Prices subject to change without notice.



Replaces Toro Reelmaster 7000-D Parts

27in DPA Cutting Unit - Models 03721 & 03722
Rollers



Item No	R&R Part No.	OEM Part No.	Description	Qty Req	Price Each	Order Quantity
8	R1503986	119-0640	Roller - Fusion Grooved UHMW Polyethylene Shoulder - 32" Units	0	401.85	

Tech Note: 3" Dia. Fusion Rollers combine the best features of our UHMW plastic rollers with a heavy duty internal bearing system. Machined from solid UHMW plastic that prevents build-up of debris. This roller has a patented deep groove des... <Click Part# for more>

Overhaul Kits

10	R114-5430	114-5430	Overhaul Kit - Roller	0	82.40	
----	------------------	----------	-----------------------	---	--------------	--

Tech Note: Includes 4 ea.: R112-7494 Seals; 2 ea.: R302-5 Grease Zerks, R114-3717 Seals, R112-5290 Bearings & R114-3745 Locknuts:

Other Parts Available

20	R112-5290	112-5290, 251--346, 251-346, 72-5430	Bearing - Stainless	2	10.30	
21	R112-7494	112-7494	Seal	4	5.15	
22	R114-3745	114-3745, 114-5411	Locknut - Bearing - Stainless	2	19.15	
23	R114-3717	114-3717	Seal	2	2.35	
24	R302-5	21-6010, 302-11, 302-37, 302-47, 302-5, 302-57, 302-58, 302-6, 31-0300, 32-9660, 60-0800, 62-3880, 92-4181	Fitting - Grease	2	0.27	
25	R112-8918	112-8918	Shaft - Long - Rear Roller - 27" Units	1	63.95	

All original equipment manufacturers names and part numbers are used for identification purposes only, and we are in no way implying that our products are original equipment parts. Prices subject to change without notice.



Replaces Toro Reelmaster 7000-D Parts

27in DPA Cutting Unit - Models 03721 & 03722
Rollers



Item No	R&R Part No.	OEM Part No.	Description	Qty Req	Price Each	Order Quantity
26	R117-0957	117-0957	Shaft - Front Roller - 27" Units	1	61.20	
27	R117-0987	117-0987	Shaft - Front Roller	1	58.45	
28	R112-8964	112-8964	Shaft - Long Solid Roller F & R	1	62.65	
29	R119-4276	119-4276	Roller - Tipper	2	49.35	
30	R117-0993	117-0993	Scraper Rod Assy - 27 in	1	93.65	
31	R151304		Scraper - 27" Gr R&R Roller [Black]	1	31.25	
32	R322-16	322-16, Apr-00	Bolt - Hex HD 5/16-18 x 1-1/8	2	1.65	
33	R445722	30-8980, 32128-2, 32128-20, 32128-20 , 445722	Nut - Serrated Washer	2	0.66	

All original equipment manufacturers names and part numbers are used for identification purposes only, and we are in no way implying that our products are original equipment parts. Prices subject to change without notice.