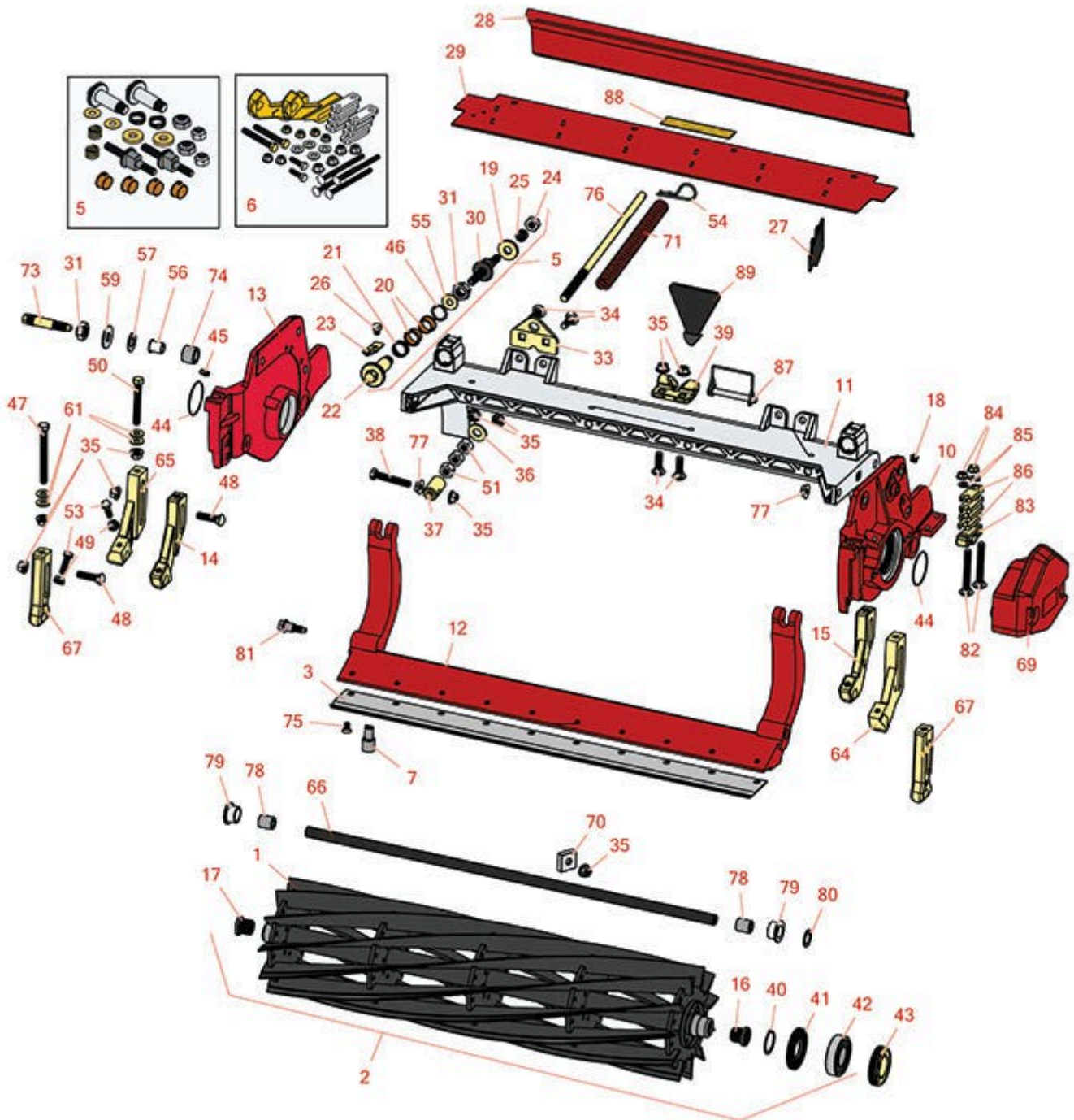




Replaces Toro Reelmaster 7000-D Parts

27in Cutting Unit - Models 03710 & 03711
Reel & Bedknife



All original equipment manufacturers names and part numbers are used for identification purposes only, and we are in no way implying that our products are original equipment parts. Prices subject to change without notice.



Replaces Toro Reelmaster 7000-D Parts

27in Cutting Unit - Models 03710 & 03711

Reel & Bedknife



Item No	R&R Part No.	OEM Part No.	Description	Qty Req	Price Each	Order Quantity
<i>R&R Reels Lifetime Guaranteed</i>						
1	R115-8270	115-8270	Reel - 5 Blade 27x7	1	460.10	
1	R127-2093	127-2093	Reel - 5 Blade Radial 27x7	1	458.30	
1	R115-8275	115-8275	Reel - 8 Blade 27x7	1	486.85	
1	R127-2094	127-2094	Reel - 8 Blade Radial 27x7	1	484.55	
1	R115-8278	115-8278	Reel - 11 Blade 27x7	1	512.95	
1	R127-2095	127-2095	Reel - 11 Blade Radial 27x7	1	510.65	
<i>R&R Razor Premium Alloy Reels Lifetime Guaranteed</i>						
1	R133-8269	133-8269	Reel - 8 Blade Razor Series Radial 27x7	1	508.05	
2	R137-8460	137-8460	Reel - 8 Blade Razor Radial w/Bearings and Seals 27x7	1	555.45	
1	R133-8271	133-8271	Reel - 11 Blade Razor Series Radial 27x7	1	534.25	
2	R137-8461	137-8461	Reel - 11 Blade Razor Radial 27 x 7" w/Bearings and Seals	1	581.45	
<i>R&R Bed Knives</i>						
3	R114-9388	114-9388	Bedknife - 27 in Unit - Standard	1	50.50	
3	R114-9390	114-9390	Bedknife - 27 in Unit - Heavy Duty	1	50.55	
<i>R&R Razor Tool Steel Bedknives, Lifetime Guaranteed</i>						
3	R112-8910	112-8910	Bedknife - Razor Tool Steel - 27 High Cut	1	108.50	
<i>Overhaul Kits</i>						
5	R120-7230	120-7230	Overhaul Kit - Fits DPA Units	0	180.50	

All original equipment manufacturers names and part numbers are used for identification purposes only, and we are in no way implying that our products are original equipment parts. Prices subject to change without notice.



Replaces Toro Reelmaster 7000-D Parts

27in Cutting Unit - Models 03710 & 03711

Reel & Bedknife



Item No	R&R Part No.	OEM Part No.	Description	Qty Req	Price Each	Order Quantity
---------	--------------	--------------	-------------	---------	------------	----------------

Tech Note: Incl 2 ea.: R108-0015, R115-7039, R119-4155, R120-5116, R120-5118, R120-5120, R3296-33, R3296-48 & 4 ea: R106-5344:

6	R110-9600	110-9600	High HOC Kit	0	162.75	
---	------------------	----------	--------------	---	---------------	--

Tech Note: Incl: 1 ea #64,65, 2 ea. #49,50,53, 4 ea #35,61,82,84, 8 ea #82. Includes 1 ea.: R120-0404, R120-0405 & 2 ea: R112-7451, R322-16, R445722 & 4 ea.: R106-9758, R104-8300, R453011, R104-8301 & 8 ea: R106-3925:

7	R51-0880	51-0880	Bedknife Screw Driver Tool	0	35.65	
---	-----------------	---------	----------------------------	---	--------------	--

Other Parts Available

10	R108-9082	108-9082	Side Plate - LH - Fits OEM Units Only	1	192.70	
----	------------------	----------	---------------------------------------	---	---------------	--

11	R112-8935	112-8935	Frame - Center - 27 in Unit	1	377.65	
----	------------------	----------	-----------------------------	---	---------------	--

12	R112-8908-01	112-8908-01	Bedbar - 27 in - Fits OEM Units Only	1	313.20	
----	---------------------	-------------	--------------------------------------	---	---------------	--

13	R108-9083	108-9083	Side Plate - RH - Fits OEM Units Only	1	192.80	
----	------------------	----------	---------------------------------------	---	---------------	--

14	R108-4214	108-4214	Bracket-HOC - RH - Groomer	1	62.45	
----	------------------	----------	----------------------------	---	--------------	--

15	R108-4213	108-4213	Bracket- HOC - LH - Groomer	1	62.45	
----	------------------	----------	-----------------------------	---	--------------	--

16	R107-3276	107-3276	Insert - Threaded - LH - 9 Tooth	1	17.85	
----	------------------	----------	----------------------------------	---	--------------	--

17	R107-3275	107-3275	Insert - Threaded - RH - 9 Tooth	1	17.85	
----	------------------	----------	----------------------------------	---	--------------	--

18	R170714	302-34, 302-39, 62-3520	Fitting - Pressure Relief	2	2.25	
----	----------------	-------------------------------	---------------------------	---	-------------	--

19	R119-4155	119-4155	Washer - Hardened	2	7.50	
----	------------------	----------	-------------------	---	-------------	--

Tech Note: 2012 & Newer:

19	R99-2098	99-2098	Washer - Bed Bar Adjuster	2	2.10	
----	-----------------	---------	---------------------------	---	-------------	--

All original equipment manufacturers names and part numbers are used for identification purposes only, and we are in no way implying that our products are original equipment parts. Prices subject to change without notice.



Replaces Toro Reelmaster 7000-D Parts

27in Cutting Unit - Models 03710 & 03711
Reel & Bedknife



Item No	R&R Part No.	OEM Part No.	Description	Qty Req	Price Each	Order Quantity
<i>Tech Note: 2011 Only:</i>						
20	R106-5344	106-5344	Bushing - Flanged and Keyed	4	5.05	
21	R120-5116	120-5116	Washer - Wave	2	6.90	
<i>Tech Note: 2012 & Newer:</i>						
22	R120-5118	120-5118	Shaft - Adjuster	2	31.05	
<i>Tech Note: 2012 & Newer:</i>						
22	R106-5363	106-5363	Shaft - Adjusting - Bed Bar - Stainless	2	27.30	
<i>Tech Note: 2011 Only:</i>						
23	R99-2097	99-2097	Detent - Bed Bar Adjuster	2	8.75	
24	R3296-48	119-4039, 32146-7, 3296-34, 3296-48	Locknut - 7/16-14 ESNA	2	0.55	
<i>Tech Note: 2012 & Newer:</i>						
24	R33025-00	32025-00, 33025-00	Locknut - 10mm x 1.5 Jam	2	0.54	
<i>Tech Note: 2011 Only:</i>						
25	R120-5120	120-5120	Spring - Compression	2	2.35	
<i>Tech Note: 2012 & Newer:</i>						
25	R99-3755	99-3755	Spring - Bed Bar Adjusting	2	3.55	
<i>Tech Note: 2011 Only:</i>						
26	R114-9396	114-9396, 119-4067	Bolt - Hex HD 5/16-18 x 3/8	2	1.45	
27	R110-1706	110-1706	Deflector	6	3.40	

All original equipment manufacturers names and part numbers are used for identification purposes only, and we are in no way implying that our products are original equipment parts. Prices subject to change without notice.



Replaces Toro Reelmaster 7000-D Parts

27in Cutting Unit - Models 03710 & 03711

Reel & Bedknife



Item No	R&R Part No.	OEM Part No.	Description	Qty Req	Price Each	Order Quantity
28	R112-8944-01	112-8944-01	Rear Grass Shield Assy - 27 in Units	1	45.25	
29	R112-8942	112-8942	Front Grass Shield Assy - 27 in Units	1	28.20	
30	R115-7039	115-7039	Screw - Adjuster - Bedbar	2	29.85	
<i>Tech Note: 2012 & Newer:</i>						
30	R99-2096	99-2096	Screw - Bed Bar Adjustment - M10 Thrd 1 End	2	34.55	
<i>Tech Note: 2011 Only:</i>						
31	R3296-33	3296-33	Locknut - 5/8-18 ESNA Jam	2	1.30	
<i>Tech Note: 2012 & Newer:</i>						
33	R110-4069	110-4069	Bracket	1	7.05	
34	R3231-25	01-173-0610, 30-9970, 3231-25, 3231-3, 900064P	Bolt - Carriage 3/8-16 x 1-1/4	4	0.66	
35	R104-8301	104-8301, 104-9301, 109-6658, 133-7570	Locknut - 3/8-16 Nylon Flanged	5	0.84	
36	R87-7270-01	87-7270, 87-7270-01	Washer - Flat 1/2	1	0.29	
37	R99-8662	99-8662	Tube - Spring	1	11.55	
38	R104-3396	104-3396	Bolt - Hex HD 3/8-16 x 2-1/4	1	1.55	
39	R110-4058	110-4058	Bracket - Chain	1	19.40	
40	R92-2601	92-2601	Snap Ring	2	2.45	

All original equipment manufacturers names and part numbers are used for identification purposes only, and we are in no way implying that our products are original equipment parts. Prices subject to change without notice.



Replaces Toro Reelmaster 7000-D Parts

27in Cutting Unit - Models 03710 & 03711

Reel & Bedknife



Item No	R&R Part No.	OEM Part No.	Description	Qty Req	Price Each	Order Quantity
41	R107-4028	105-6757, 107-4028	Seal - Grease	2	16.05	
42	R93-2489	93-2489	Bearing - Reel	2	21.20	
43	R107-2954	107-2954	Nut - Bearing Adjuster	1	11.50	
44	R112-6967	112-6967	O-Ring	2	1.95	
45	R302-5	21-6010, 302-11, 302-37, 302-47, 302-5, 302-57, 302-58, 302-6, 31-0300, 32-9660, 60-0800, 62-3880, 92-4181	Fitting - Grease	2	0.27	
46	R106-5335	106-5335	Wave Washer - Reel Adjusting	2	2.50	
<i>Tech Note: 2011 Only:</i>						
47	R107-4026	107-4026	Bolt - Hex Tap 3/8-16 x 3-3/4	2	6.25	
48	R3231-4	01-157-0440, 01-173-0612, 3231-4	Bolt - Carriage 3/8-16 x 1-1/2	2	1.20	
49	R445722	30-8980, 32128-2, 32128-20, 32128-20 , 445722	Nut - Serrated Washer	2	0.66	
50	R112-7451	100-9429, 112-7451	Bolt - Hex Tap 3/8-16 x 2-3/4	2	1.95	

Tech Note: Use w/High HOC Bracket Only:

All original equipment manufacturers names and part numbers are used for identification purposes only, and we are in no way implying that our products are original equipment parts. Prices subject to change without notice.



Replaces Toro Reelmaster 7000-D Parts

27in Cutting Unit - Models 03710 & 03711

Reel & Bedknife



Item No	R&R Part No.	OEM Part No.	Description	Qty Req	Price Each	Order Quantity
51	R443818	01-191-0813, 3218-18, 3218-5, 3248-18	Nut - 1/2-13 Hex Jam Zinc	2	0.35	
53	R322-16	322-16, Apr-00	Bolt - Hex HD 5/16-18 x 1-1/8	2	1.65	
54	R92-2762	92-2762	Pin - Snap	1	1.50	
55	R108-0015	108-0015	Washer - Flat	2	1.20	
<i>Tech Note: 2012 & Newer:</i>						
56	R56-9520	56-9520	Bushing - Nyliner	2	1.55	
57	R61-1950	61-1950	Washer - Nylon - Bed Bar	2	0.64	
59	R453017	01-166-0050, 01-166-0240, 01-166-0800, 24-13-AD, 24-14-AD, 32-8110, 3256-26, 3256-6, 453017, 69-8980, 87-7270	Washer - Flat 1/2	2	0.28	

All original equipment manufacturers names and part numbers are used for identification purposes only, and we are in no way implying that our products are original equipment parts. Prices subject to change without notice.



Replaces Toro Reelmaster 7000-D Parts

27in Cutting Unit - Models 03710 & 03711

Reel & Bedknife



Item No	R&R Part No.	OEM Part No.	Description	Qty Req	Price Each	Order Quantity
61	R453011	01-166-0100, 01-166-0120, 01-166-0270, 01-166-0500, 01-166-0600, 01-166-0620, 132-4593, 2356-3, 237-12, 24-10-AD, 24-11-AD, 24-11-BD, 24-12-AD, 24-12-BD, 30-9310, 32-8190, 3256-24, 3256-3, 3256-36, 3256-4, 453011, 47-9950, 48-9220, 513458, 7-0052	Washer - Flat 3/8 SAE Y/Zinc	4	0.11	
64	R120-0404	120-0404	Bracket- High HOC - LH	1	53.80	
<i>Tech Note: Fits 2011 & Newer:</i>						
65	R120-0405	120-0405	Bracket - High HOC - RH	1	53.80	
<i>Tech Note: Fits 2011 & Newer:</i>						
66	R117-3752	117-3752	Tube- Support - 27 in Units	1	51.65	
67	R125-2796	125-2796	Bracket- Front HOC	2	36.60	
<i>Tech Note: Fits 2013 & Newer:</i>						
69	R119-0614-01	119-0614-01	Weight	1	76.40	
70	R119-1603	119-1603	Spacer - Pivot	2	13.60	
71	R119-4275	119-4275	Spring - Compression	1	35.15	

All original equipment manufacturers names and part numbers are used for identification purposes only, and we are in no way implying that our products are original equipment parts. Prices subject to change without notice.



Replaces Toro Reelmaster 7000-D Parts

27in Cutting Unit - Models 03710 & 03711

Reel & Bedknife



Item No	R&R Part No.	OEM Part No.	Description	Qty Req	Price Each	Order Quantity
73	R106-9623	106-9623	Bolt - Bedbar	2	14.15	
74	R106-9618	106-9618	Bushing - Rubber	2	7.90	
75	R119-4151	119-4151	Screw - Bedknife 5/16-18 x 17/32	10	0.29	
75	R150476	3-3816, 3-6462, 52-4910, 57-4910	Screw - Bedknife 5/16-18 x 5/8	10	0.29	
76	R115-2007	107-7437, 115-2007	Rod - Spring	1	20.45	
77	R32128-43	30-8990, 32128-43, 3290-357	Nut - Flanged Whiz - 3/8-16	7	0.62	
78	R108-4279	108-4279	Spacer - Frame	2	6.75	
79	R93-2877	93-2877	Bushing - Flanged	2	3.65	
80	R67-9410	67-9410	Washer - Clevis Pin	2	1.55	
81	R107-2979	107-2979	Bolt - Shoulder	6	3.25	
82	R3230-26	3230-26	Screw - Carriage 5/16-18 x 3	4	3.40	
82	R3230-30	3230-30	Bolt - Carriage 5/16x4 1/2	4	6.30	
<i>Tech Note: Use w/High HOC Bracket Only:</i>						
83	R106-3924	106-3924	Bracket - Rear Roller	2	15.70	
84	R104-8300	104-8300, 104-8300, 119-4041	Locknut - 5/16-18 Flanged Y/Zinc	4	0.47	
85	R94-6936	94-6936, 94-9236	Washer - Hardened - 5/16 SAE	4	0.57	
86	R119-0626	119-0626	Shim - Roller - 1/4 in - Slotted	12	5.45	

All original equipment manufacturers names and part numbers are used for identification purposes only, and we are in no way implying that our products are original equipment parts. Prices subject to change without notice.



Replaces Toro Reelmaster 7000-D Parts

27in Cutting Unit - Models 03710 & 03711
Reel & Bedknife



Item No	R&R Part No.	OEM Part No.	Description	Qty Req	Price Each	Order Quantity
87	R107-7400	107-7400	Pin - Lynch	1	6.95	
88	R93-6688	93-6688	Decal - Warning	1	2.30	
89	R110-4088-03	110-4088-03, 119-8010-03	Kickstand	1	21.25	

All original equipment manufacturers names and part numbers are used for identification purposes only, and we are in no way implying that our products are original equipment parts. Prices subject to change without notice.