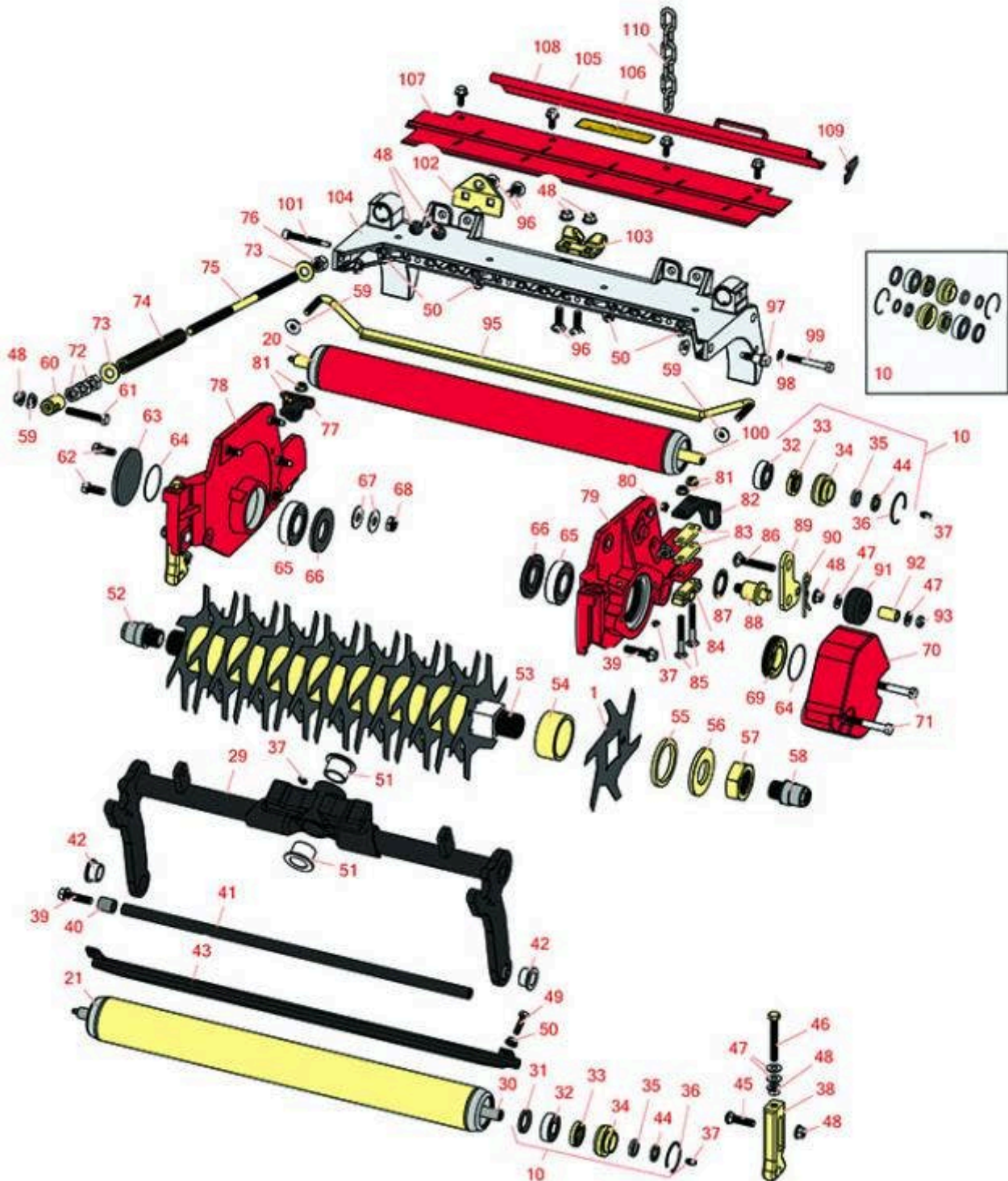




Replaces Toro Reelmaster 6700D Parts

Verti-Cut Unit - Model 03877

Verti-Cut Reel & Frame



All original equipment manufacturers names and part numbers are used for identification purposes only, and we are in no way implying that our products are original equipment parts. Prices subject to change without notice.



Replaces Toro Reelmaster 6700D Parts

Verti-Cut Unit - Model 03877

Verti-Cut Reel & Frame



Item No	R&R Part No.	OEM Part No.	Description	Qty Req	Price Each	Order Quantity
---------	--------------	--------------	-------------	---------	------------	----------------

Verti-Cut Blades

1	R93-3038-03	93-3038, 93-3038-03	Blade - Vertical Mower 1/16x7.25	16	4.20	
1	R106-8625	106-8625	Blade - Carbide Tip	16	18.30	

Overhaul Kits

10	R106-9606	106-9606	Overhaul Kit - Roller	1	83.15	
----	------------------	----------	-----------------------	---	--------------	--

Tech Note: Include 2 ea: R343667 Bearings, R253-70 Seals, R32120-62 Retaining Rings, R93-1251 Seals, R93-1252 Seals, R93-2931 Washers, R93-3007 Seals:

R&R Rollers

20	R107-4040	107-4040	Roller - Smooth Tubular Steel	1	253.50	
----	------------------	----------	----------------------------------	---	---------------	--

Tech Note: Constructed with a through shaft, this heavy-duty roller uses greasable ball bearings. (2006 - 2007):

21	R110-9614	110-9614	Roller Assy - 2.5 Solid Front	1	275.75	
----	------------------	----------	-------------------------------	---	---------------	--

Tech Note: Constructed with a through shaft, this heavy duty roller uses greasable ball bearings.:

Other Parts Available

29	R110-9713	110-9713	Carrier Frame Assy	1	425.65	
----	------------------	----------	--------------------	---	---------------	--

Tech Note: Includes 2 each: R94-1291 Bushings and R93-2877 Bushings:

30	R110-4053	110-4053	Shaft - Front Roller	1	59.05	
31	R93-3007	93-3007	Seal	4	3.55	
32	R343667	109966, 251-6, 38-7820	Bearing - Ball	4	9.05	
33	R93-1251	93-1251	Seal	4	7.25	
34	R93-1252	93-1252	Seal - Outer	4	13.95	

All original equipment manufacturers names and part numbers are used for identification purposes only, and we are in no way implying that our products are original equipment parts. Prices subject to change without notice.



Replaces Toro Reelmaster 6700D Parts

Verti-Cut Unit - Model 03877

Verti-Cut Reel & Frame



Item No	R&R Part No.	OEM Part No.	Description	Qty Req	Price Each	Order Quantity
35	R253-70	253-70	Seal	4	4.95	
36	R32120-62	32120-62	Ring - Retaining	4	1.95	
37	R302-5	21-6010, 302-11, 302-37, 302-47, 302-5, 302-57, 302-58, 302-6, 31-0300, 32-9660, 60-0800, 62-3880, 92-4181	Fitting - Grease	7	0.27	
38	R107-2952	107-2952	Bracket - Front Roller	2	31.55	
39	R3234-19	3234-19	Bolt - Hex Washer 3/8-16x1-3/4	2	1.75	
40	R108-4279	108-4279	Spacer - Frame	2	6.75	
41	R108-4284	108-4284	Shaft - Support	1	32.70	
42	R93-2877	93-2877	Bushing - Flanged	2	3.65	
43	R108-4475-03	108-4475-03	Scraper - Full Front 2.5 in	1	29.30	
44	R93-2931	93-2931	Washer - Roller Seal	4	2.55	
45	R3231-4	01-157-0440, 01-173-0612, 3231-4	Bolt - Carriage 3/8-16 x 1-1/2	2	1.20	
46	R112-7451	100-9429, 112-7451	Bolt - Hex Tap 3/8-16 x 2-3/4	2	1.95	

All original equipment manufacturers names and part numbers are used for identification purposes only, and we are in no way implying that our products are original equipment parts. Prices subject to change without notice.



Replaces Toro Reelmaster 6700D Parts

Verti-Cut Unit - Model 03877

Verti-Cut Reel & Frame



Item No	R&R Part No.	OEM Part No.	Description	Qty Req	Price Each	Order Quantity
47	R453011	01-166-0100, 01-166-0120, 01-166-0270, 01-166-0500, 01-166-0600, 01-166-0620, 132-4593, 2356-3, 237-12, 24-10-AD, 24-11-AD, 24-11-BD, 24-12-AD, 24-12-BD, 30-9310, 32-8190, 3256-24, 3256-3, 3256-36, 3256-4, 453011, 47-9950, 48-9220, 513458, 7-0052	Washer - Flat 3/8 SAE Y/Zinc	8	0.11	
48	R104-8301	104-8301, 104-9301, 109-6658, 133-7570	Locknut - 3/8-16 Nylon Flanged	14	0.84	
49	R322-16	322-16, Apr-00	Bolt - Hex HD 5/16-18 x 1-1/8	2	1.65	
50	R445722	30-8980, 32128-2, 32128-20, 32128-20 , 445722	Nut - Serrated Washer	2	0.66	
51	R94-1291	94-1291	Bushing - Flanged	2	6.30	
52	R108-4978	108-4978, 131-0516	Insert - RH - Verti-Cut Shaft	1	77.40	
53	R108-4975	108-4975	Shaft Assy - V-Cut	1	267.70	

All original equipment manufacturers names and part numbers are used for identification purposes only, and we are in no way implying that our products are original equipment parts. Prices subject to change without notice.



Replaces Toro Reelmaster 6700D Parts

Verti-Cut Unit - Model 03877

Verti-Cut Reel & Frame



Item No	R&R Part No.	OEM Part No.	Description	Qty Req	Price Each	Order Quantity
54	R105-0172	105-0172	Spacer - Verticut Shaft 1.2 in	15	11.25	
55	R105-0177	105-0177	Spacer - Verticut Shaft 1/4 in	1	5.40	
56	R105-0173	105-0173	Washer - Verticut Shaft 1/4 in	1	12.65	
57	R3220-25	3220-25	Nut - Jam 1-3/8-12	1	22.15	
58	R108-4977	108-4977, 131-0515	Insert - LH - Verti-Cut Shaft	1	77.40	
59	R32128-43	30-8990, 32128-43, 3290-357	Nut - Flanged Whiz - 3/8-16	11	0.62	
60	R99-8662	99-8662	Tube - Spring	1	11.55	
61	R104-3396	104-3396	Bolt - Hex HD 3/8-16 x 2-1/4	1	1.55	
62	R323-6	01-150-0010, 01-178-0608, 20-47-AD, 20-47-AGD, 3224-2, 323-6, 49-3510, 908034P, 908332	Bolt - Hex HD 3/8-16 x 1 GR5 YZ	2	0.59	
63	R94-2703	94-2703	Plug - Plastic Spindle Housing	1	2.05	
64	R112-6967	112-6967	O-Ring	2	1.95	
65	R93-2489	93-2489	Bearing - Reel	2	21.20	
66	R107-4028	105-6757, 107-4028	Seal - Grease	2	16.05	

All original equipment manufacturers names and part numbers are used for identification purposes only, and we are in no way implying that our products are original equipment parts. Prices subject to change without notice.



Replaces Toro Reelmaster 6700D Parts

Verti-Cut Unit - Model 03877

Verti-Cut Reel & Frame



Item No	R&R Part No.	OEM Part No.	Description	Qty Req	Price Each	Order Quantity
67	R453013	01-166-0140, 01-166-0700, 3256-5, 80-4850	Washer - Flat 7/16	4	0.26	
68	R3296-28	119-4154, 140-9234, 32127-34, 32128-7, 32128-8, 32136-7, 3296-28	Nut - 1/2-20 ESNA Jam	2	1.25	
69	R107-2954	107-2954	Nut - Bearing Adjuster	1	11.50	
70	R108-4269-01	108-4269-01	Weight	1	82.65	
71	R101526	01-150-0970, 01-178-0620, 101526, 20-53-AGD, 321-11, 3224-8, 323-11, 323-12, 323-31, 323-4, 323-47	Bolt - Hex HD 3/8-16 x 2-1/2 GR5	2	0.91	
72	R443818	01-191-0813, 3218-18, 3218-5, 3248-18	Nut - 1/2-13 Hex Jam Zinc	3	0.35	
73	R453017	01-166-0050, 01-166-0240, 01-166-0800, 24-13-AD, 24-14-AD, 32-8110, 3256-26, 3256-6, 453017, 69-8980, 87-7270	Washer - Flat 1/2	2	0.28	

All original equipment manufacturers names and part numbers are used for identification purposes only, and we are in no way implying that our products are original equipment parts. Prices subject to change without notice.



Replaces Toro Reelmaster 6700D Parts

Verti-Cut Unit - Model 03877

Verti-Cut Reel & Frame



Item No	R&R Part No.	OEM Part No.	Description	Qty Req	Price Each	Order Quantity
73	R87-7270-01	87-7270, 87-7270-01	Washer - Flat 1/2	2	0.29	
74	R110-4079	110-4079	Spring	1	7.50	
75	R99-8661	99-8661	Rod-Spring	1	20.15	
76	RF5003	32127-29, 32131-5, 32132-5, 3296-23	Locknut - ESNA 1/2-13	1	0.78	
77	R107-3281	107-3281	Bracket - Scraper - RH	1	16.40	
78	R110-9631	110-9631	Side Plate - RH	1	167.35	
79	R110-9630	110-9630	Side Plate - LH	1	167.55	
80	R170714	302-34, 302-39, 62-3520	Fitting - Pressure Relief	2	2.25	
81	R104-8300	104-8300, 104-8300 , 119-4041	Locknut - 5/16-18 Flanged Y/Zinc	4	0.47	
82	R107-3279	107-3279	Bracket - Scraper - LH	1	16.40	
83	R106-3925	106-3925	Shim - 1/4 - Rear Roller HOC	4	4.50	
84	R106-3924	106-3924	Bracket - Rear Roller	2	15.70	
85	RP17609-2	106-9758, 3230-7	Bolt - Carriage 5/16-18 x 1-1/2	4	0.46	
86	R3231-7	3231-33, 3231-7	Bolt - Carriage 3/8-16 x 2-1/4	2	3.85	
87	R3254-21	3254-21	Washer - 1 in Internal Star	2	2.15	
88	R108-4289	108-4289	Pin - Roller Mounting	2	35.55	
89	R108-4286	108-4286	Bracket - Adj	2	9.80	

All original equipment manufacturers names and part numbers are used for identification purposes only, and we are in no way implying that our products are original equipment parts. Prices subject to change without notice.



Replaces Toro Reelmaster 6700D Parts

Verti-Cut Unit - Model 03877

Verti-Cut Reel & Frame



Item No	R&R Part No.	OEM Part No.	Description	Qty Req	Price Each	Order Quantity
90	R3290-355	01-159-0050, 3290-355, 58-5370	Pin - Bridge - Snap	2	2.35	
91	R108-4293	108-4293	Roller - Verti-Cut	2	9.95	
92	R59-2580	59-2580	Spacer - Wheel	2	5.30	
93	R3296-59	3296-59	Locknut - 3/8-16 Nylon Jam	2	0.65	
95	R107-2999	107-2999	Scraper - Rear Roller	1	30.95	
96	R3231-25	01-173-0610, 30-9970, 3231-25, 3231-3, 900064P	Bolt - Carriage 3/8-16 x 1-1/4	4	0.66	
97	R107-2979	107-2979	Bolt - Shoulder	6	3.25	
98	R3256-74	3256-74	Washer - Flat	1	0.65	
99	R322-14	01-150-0830, 01-178-0524, 30-8900, 322-14	Bolt - Hex HD 5/16-18 x 3 GR5	1	2.15	
100	R107-3296	107-3296, 99-5717	Shaft - Rear Long Roller	1	57.90	
101	R107-7773	107-7773	Bolt - Soc HD Cap 5/16-18 x 2-1/2	1	7.50	
102	R110-4069	110-4069	Bracket	1	7.05	
103	R110-4058	110-4058	Bracket - Chain	1	19.40	
104	R107-3258	107-3258	Frame	1	191.95	
105	R3234-5	3234-5, 62-3310	Bolt - 5/16-18x3/4 Hx Ser Was HD	4	0.74	
106	R93-6688	93-6688	Decal - Warning	1	2.30	

All original equipment manufacturers names and part numbers are used for identification purposes only, and we are in no way implying that our products are original equipment parts. Prices subject to change without notice.



Replaces Toro Reelmaster 6700D Parts

Verti-Cut Unit - Model 03877

Verti-Cut Reel & Frame



Item No	R&R Part No.	OEM Part No.	Description	Qty Req	Price Each	Order Quantity
107	R107-2996	107-2996	Grass Shield - Front	1	29.40	
108	R107-7779-01	107-7779-01	Grass Shield Assy - Rear	1	58.25	
109	R108-4961	108-4961	Tab - Stop - Shield	1	26.35	
110	R114-3972	114-3972	Chain	1	5.45	

All original equipment manufacturers names and part numbers are used for identification purposes only, and we are in no way implying that our products are original equipment parts. Prices subject to change without notice.