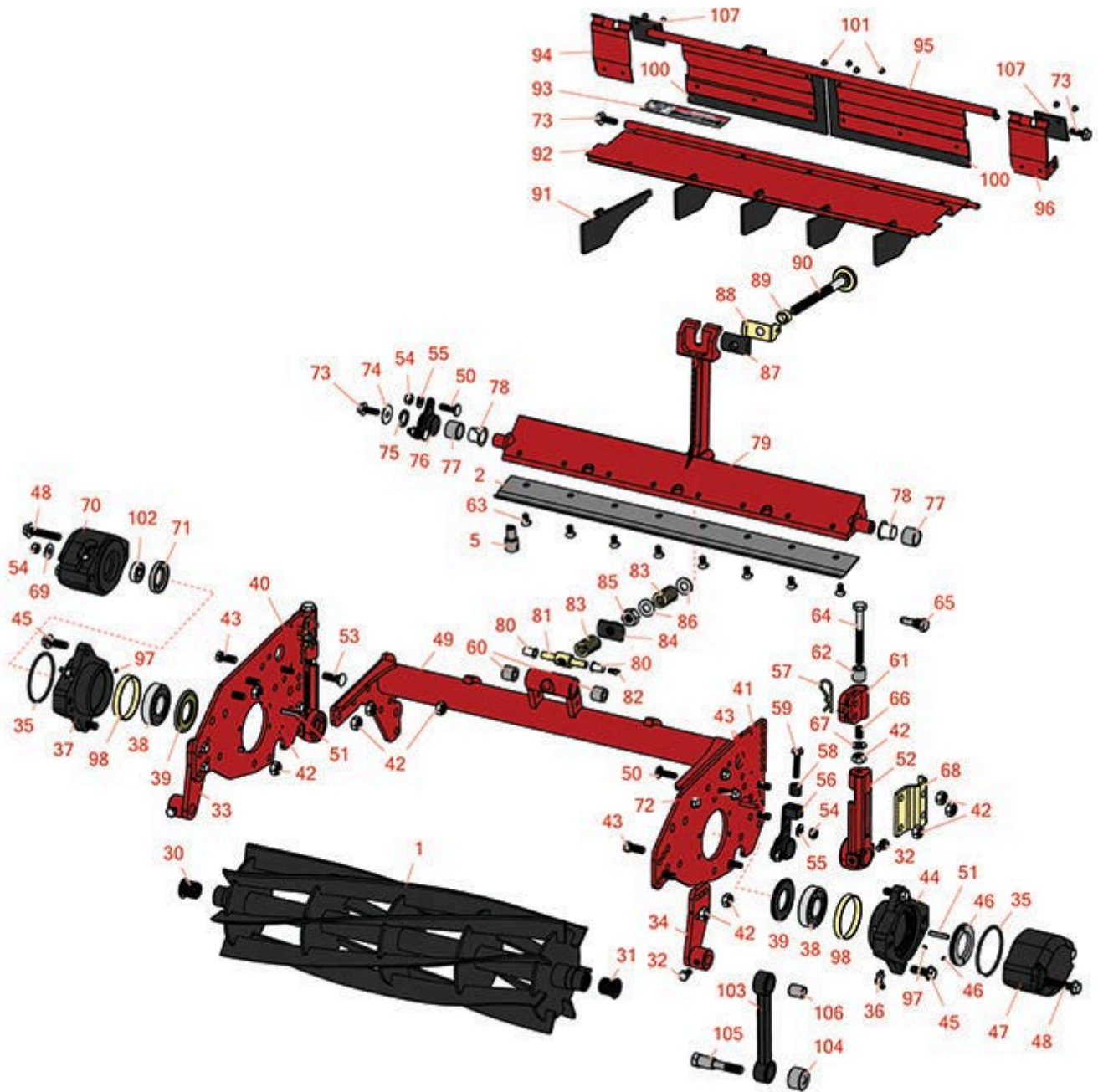




# Replaces Toro Reelmaster 6700D Parts

Cutting Unit - Models 03853, 03854 & 03856  
Reel & Bedknife



All original equipment manufacturers names and part numbers are used for identification purposes only, and we are in no way implying that our products are original equipment parts. Prices subject to change without notice.



# Replaces Toro Reelmaster 6700D Parts

Cutting Unit - Models 03853, 03854 & 03856  
Reel & Bedknife



Item No	R&R Part No.	OEM Part No.	Description	Qty Req	Price Each	Order Quantity
<b>R&amp;R Reels, Lifetime Guaranteed</b>						
1	<b>R94-4337</b>	93-7520, 94-4337	Reel - 5 Blade	1	<b>349.90</b>	
1	<b>R95-2770</b>	95-2770	Reel - 7 Blade	1	<b>381.55</b>	
1	<b>R94-4338</b>	93-7521, 94-4338	Reel - 11 Blade	1	<b>431.15</b>	
<b>R&amp;R Bedknives, Lifetime Guaranteed</b>						
2	<b>R93-9774</b>	93-9774	Bedknife - 5/16	1	<b>44.80</b>	
2	<b>R94-8936</b>	94-8936	Bedknife - 1/2	1	<b>46.95</b>	
<b>Service Tools</b>						
5	<b>R51-0880</b>	51-0880	Bedknife Screw Driver Tool	0	<b>35.65</b>	
<b>Other Parts Available</b>						
30	<b>R94-2732</b>	94-2732	Insert - Threaded RH	1	<b>13.30</b>	
31	<b>R94-2733</b>	94-2733	Insert - Threaded LH	1	<b>13.30</b>	
32	<b>R93-9757</b>	93-9757	Bolt - Hex HD Nyloc M8 x 16	4	<b>1.65</b>	
33	<b>R94-4332</b>	94-4332, 94-4332-01	Bracket - LH Front Roller	1	<b>36.50</b>	
34	<b>R94-4333</b>	94-4333, 94-4333-01	Bracket - RH Front Roller	1	<b>36.50</b>	
35	<b>R93-9783</b>	93-9783	O-Ring - Reel	2	<b>1.30</b>	
36	<b>R700414</b>	302-11, 302-19, 302-4, 32-8170	Zerk - Grease 1/4-28 45 Deg	2	<b>0.76</b>	
37	<b>R93-9794</b>	93-9794	Housing - Bearing RH	1	<b>82.60</b>	
38	<b>R93-2489</b>	93-2489	Bearing - Reel	2	<b>21.20</b>	

All original equipment manufacturers names and part numbers are used for identification purposes only, and we are in no way implying that our products are original equipment parts. Prices subject to change without notice.



# Replaces Toro Reelmaster 6700D Parts

Cutting Unit - Models 03853, 03854 & 03856

Reel & Bedknife



Item No	R&R Part No.	OEM Part No.	Description	Qty Req	Price Each	Order Quantity
39	<b>R94-8908</b>	93-2483, 94-8908	Seal - Reel	2	<b>5.45</b>	
40	<b>R93-2981-01</b>	93-2981, 93-2981-01	Sideplate- RH	1	<b>49.45</b>	
41	<b>R93-2982-01</b>	93-2982, 93-2982-01	Sideplate - LH	1	<b>49.45</b>	
42	<b>R33025-00</b>	32025-00, 33025-00	Locknut - 10mm x 1.5 Jam	12	<b>0.54</b>	
43	<b>R33105-025</b>	33105-025	Bolt - Hex HD M10-1.5 x 25	8	<b>0.98</b>	
44	<b>R93-9795</b>	93-9795	Housing - Bearing LH	1	<b>82.60</b>	
45	<b>R33105-030</b>	33105-030	Bolt - Hex Washer M10	4	<b>2.35</b>	
46	<b>R93-9786</b>	105-6756, 93-9786, 95-2793, 99-5672	Nut - Bearing Adj Incl R3245-42	1	<b>14.95</b>	
47	<b>R105-4011-03</b>	105-4011, 105-4011-03, 94-4347, 94-4347-01, 94-4347-03	Weight - End	1	<b>59.25</b>	
48	<b>R93-7522</b>	93-7522	Bolt - Hx HD M10-1.5 x 90	4	<b>1.75</b>	
49	<b>R100-4994-01</b>	100-4994-01	Frame-Reel	1	<b>273.85</b>	
50	<b>R94-2738</b>	94-2738	Bolt - Carriage M8-1.25 x 25	4	<b>0.77</b>	
51	<b>R32121-69</b>	120-8095, 32121-69	Pin - Roll 1/4 x 1-1/4	4	<b>0.56</b>	
52	<b>R93-2904</b>	93-2904, 93-2904-01	Bracket - Rear Roller	2	<b>24.15</b>	
53	<b>R33125-030</b>	33125-030, 93-6452	Bolt - Carriage M10 x 30	2	<b>2.45</b>	

All original equipment manufacturers names and part numbers are used for identification purposes only, and we are in no way implying that our products are original equipment parts. Prices subject to change without notice.



# Replaces Toro Reelmaster 6700D Parts

Cutting Unit - Models 03853, 03854 & 03856  
Reel & Bedknife



Item No	R&R Part No.	OEM Part No.	Description	Qty Req	Price Each	Order Quantity
54	<b>R33024-00</b>	33024-00	Locknut - 8mm x 1.25	5	<b>0.67</b>	
55	<b>R33094-00</b>	33094-00, 93-5914	Washer - Flat - 8mm Hardened	4	<b>0.12</b>	
56	<b>R93-2512</b>	93-2512	Hub - Pivot LH Bed Bar	1	<b>35.95</b>	
56	<b>R100-3381</b>	100-3381	Hub - Pivot LH Bed Bar	1	<b>29.95</b>	
<i>Tech Note: Includes R93-7501:</i>						
57	<b>R3290-467</b>	3290-467	Pin-Hair	2	<b>0.41</b>	
58	<b>R93-2516</b>	93-2516	Spring - Pivot Hub Bed Bar	1	<b>5.30</b>	
59	<b>R93-2571</b>	93-2571	Bolt - Hex Nyloc Washer Head	1	<b>3.15</b>	
60	<b>R62-5510</b>	52-2870, 62-5510	Bushing	2	<b>4.35</b>	
61	<b>R93-2902-01</b>	93-2902-01	Support - HOC - Rear	2	<b>34.80</b>	
62	<b>R94-4344</b>	94-4344	Spacer	2	<b>10.65</b>	
63	<b>R150476</b>	3-3816, 3-6462, 52-4910, 57-4910	Screw - Bedknife 5/16-18 x 5/8	8	<b>0.29</b>	
64	<b>R93-7500</b>	93-7500	Bolt - Hx HD M10-1.5 x 90	2	<b>17.20</b>	
65	<b>R93-2906</b>	93-2906	Pin - HOC	2	<b>23.90</b>	
66	<b>R93-2921</b>	93-2921	Spring - Compression	2	<b>3.95</b>	
67	<b>R93-7509</b>	93-7509	Washer - Special	2	<b>2.40</b>	
68	<b>R61-0910</b>	61-0910	Bracket	2	<b>6.20</b>	
69	<b>R310266</b>	3256-23, 3256-3, 3556-3	Washer - Flat 5/16 USS	1	<b>0.23</b>	

All original equipment manufacturers names and part numbers are used for identification purposes only, and we are in no way implying that our products are original equipment parts. Prices subject to change without notice.



# Replaces Toro Reelmaster 6700D Parts

Cutting Unit - Models 03853, 03854 & 03856  
Reel & Bedknife



Item No	R&R Part No.	OEM Part No.	Description	Qty Req	Price Each	Order Quantity
70	<b>R93-3080-03</b>	93-3080-03	Housing, End Cap	1	<b>58.05</b>	
71	<b>R253-117</b>	253-117, 253-165	Seal - Outer Triple Lip	1	<b>4.20</b>	
72	<b>R33104-025</b>	33104-025	Bolt - Hex HD Flanged	2	<b>5.80</b>	
73	<b>R33104-020</b>	33104-020	Bolt - Hex Washer HD	4	<b>1.85</b>	
74	<b>R3256-35</b>	3256-35	Washer - Flat	2	<b>0.59</b>	
75	<b>R93-7510</b>	93-7510	Ring - Quad RH Pivot Hub	2	<b>0.67</b>	
76	<b>R93-2513</b>	93-2513	Hub - Pivot RH	1	<b>35.95</b>	
76	<b>R100-3380</b>	100-3380	Hub - Pivot RH Bed Bar	1	<b>29.95</b>	
<i>Tech Note: Includes R93-7501:</i>						
77	<b>R93-7501</b>	93-7501	Bushing	2	<b>3.65</b>	
78	<b>R93-7502</b>	93-7502	Bushing - Flanged Nylon	2	<b>1.55</b>	
79	<b>R99-8698</b>	93-2854, 95-3458, 99-8698-01	Bed Bar	1	<b>193.55</b>	
80	<b>R52-2890</b>	52-2890	Bushing - Flanged	2	<b>0.77</b>	
81	<b>R57-5260</b>	107-7409, 57-5260	Pivot - 1/2-20 - Bed Bar	1	<b>15.75</b>	
82	<b>R302-18</b>	302-18	Zerk - Grease Press Style	1	<b>0.47</b>	
83	<b>R95-0772</b>	93-2915, 95-0772	Spring - Bed Bar Adjuster	2	<b>3.55</b>	
84	<b>R93-9780</b>	93-9780	Plate Washer - Spa	1	<b>28.70</b>	
85	<b>R3296-62</b>	3296-62	Locknut - 1/2-20 LH Jam	1	<b>1.25</b>	
86	<b>R29-8910-01</b>	29-8910	Washer - Flat 1/2	2	<b>0.36</b>	

All original equipment manufacturers names and part numbers are used for identification purposes only, and we are in no way implying that our products are original equipment parts. Prices subject to change without notice.



# Replaces Toro Reelmaster 6700D Parts

Cutting Unit - Models 03853, 03854 & 03856

Reel & Bedknife



Item No	R&R Part No.	OEM Part No.	Description	Qty Req	Price Each	Order Quantity
87	<b>R93-2892</b>	93-2892	Pivot - Plastic - Bed Bar	1	<b>2.85</b>	
88	<b>R95-8752</b>	93-9767, 95-8752	Arm - Spring	1	<b>8.15</b>	
89	<b>R93-2959</b>	93-2959	Spacer - Bed Bar Assy	1	<b>2.50</b>	
90	<b>R95-8877</b>	106-7536, 93-2957, 95-2762, 95-8877	Handle - Bed Bar Adjustment	1	<b>48.95</b>	
91	<b>R100-2287</b>	100-2287	Deflector-Shield,	5	<b>2.75</b>	
92	<b>R100-9900</b>	100-2285-01, 100-9900	Grass Shield - Front	1	<b>115.95</b>	
93	<b>R67-7960</b>	27-2890, 62-5070, 67-7960	Decal - Warning	1	<b>2.75</b>	
94	<b>R93-2998-01</b>	93-2998, 93-2998-01	Shield - RH	1	<b>24.40</b>	
95	<b>R93-2996-01</b>	93-2996, 93-2996-01	Rear Grass Shield	1	<b>57.95</b>	
96	<b>R93-3008-01</b>	93-3008, 93-3008-01	Shield - LH	1	<b>26.35</b>	
97	<b>R3245-42</b>	3245-42	Screw - Set 8/32 x 1/4	1	<b>0.84</b>	
98	<b>R93-2922</b>	93-2922, 93-9793	Ring - Wear Bearing Housing	2	<b>7.25</b>	
100	<b>R93-3011</b>	93-3011	Flap - Bottom	2	<b>3.85</b>	
101	<b>R3295-48</b>	3295-48	Rivet - 3/16 x 3/8 Tub	14	<b>0.35</b>	
101	<b>R700382</b>	700382	Rivet - Guard	14	<b>0.34</b>	
102	<b>R93-2956</b>	93-2956	Bearing-Ball	1	<b>13.35</b>	
103	<b>R93-3087</b>	93-3087	Bar - Link	2	<b>21.45</b>	

All original equipment manufacturers names and part numbers are used for identification purposes only, and we are in no way implying that our products are original equipment parts. Prices subject to change without notice.



# Replaces Toro Reelmaster 6700D Parts

*Cutting Unit - Models 03853, 03854 & 03856  
Reel & Bedknife*



Item No	R&R Part No.	OEM Part No.	Description	Qty Req	Price Each	Order Quantity
104	<b>R93-9775</b>	93-9775	Spacer	2	<b>6.55</b>	
105	<b>R93-9777</b>	93-9777	Bolt - Shoulder - Long	2	<b>19.95</b>	
106	<b>R94-2700</b>	94-2700	Spacer - Hardened	2	<b>3.25</b>	
107	<b>R93-3012</b>	93-3012	Flap - Side	1	<b>2.35</b>	

All original equipment manufacturers names and part numbers are used for identification purposes only, and we are in no way implying that our products are original equipment parts. Prices subject to change without notice.