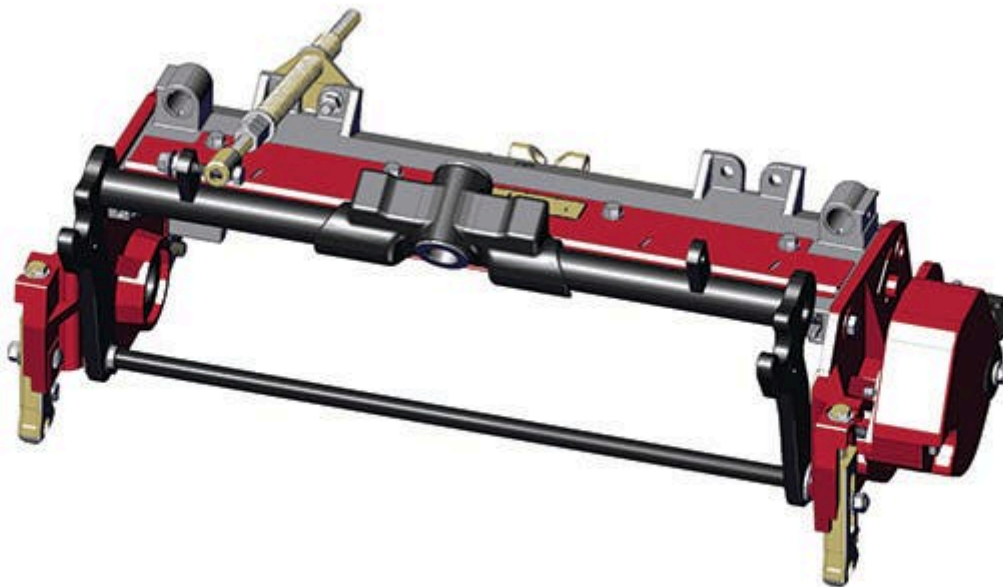
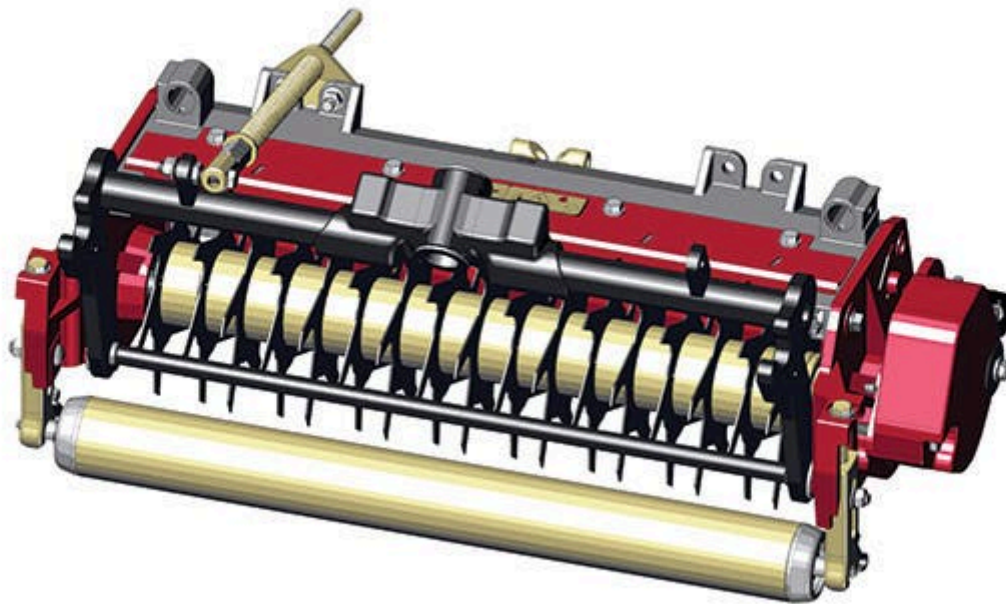




Replaces Toro Reelmaster 6500D Parts

Verti-Cut Unit - Model 03877

Complete Verti-Cut Unit



All original equipment manufacturers names and part numbers are used for identification purposes only, and we are in no way implying that our products are original equipment parts. Prices subject to change without notice.



Replaces Toro Reelmaster 6500D Parts

Verti-Cut Unit - Model 03877

Complete Verti-Cut Unit



Item No	R&R Part No.	OEM Part No.	Description	Qty Req	Price Each	Order Quantity
---------	--------------	--------------	-------------	---------	------------	----------------

Complete Verti-Cut Unit

1	R150194		Complete Standard Verti-Cut Unit	0	2489.25	
---	----------------	--	----------------------------------	---	----------------	--

Tech Note: R&R Verti-Cut Unit Complete with R110-9614 Front Smooth Roller, R107-4040 Rear Smooth Roller & R93-3038-03 Verti-Cut Blades:

Custom Verti-Cut Unit

2	R150194-SPL		Custom Verti-Cut Unit	0	2422.10	
---	--------------------	--	-----------------------	---	----------------	--

All original equipment manufacturers names and part numbers are used for identification purposes only, and we are in no way implying that our products are original equipment parts. Prices subject to change without notice.