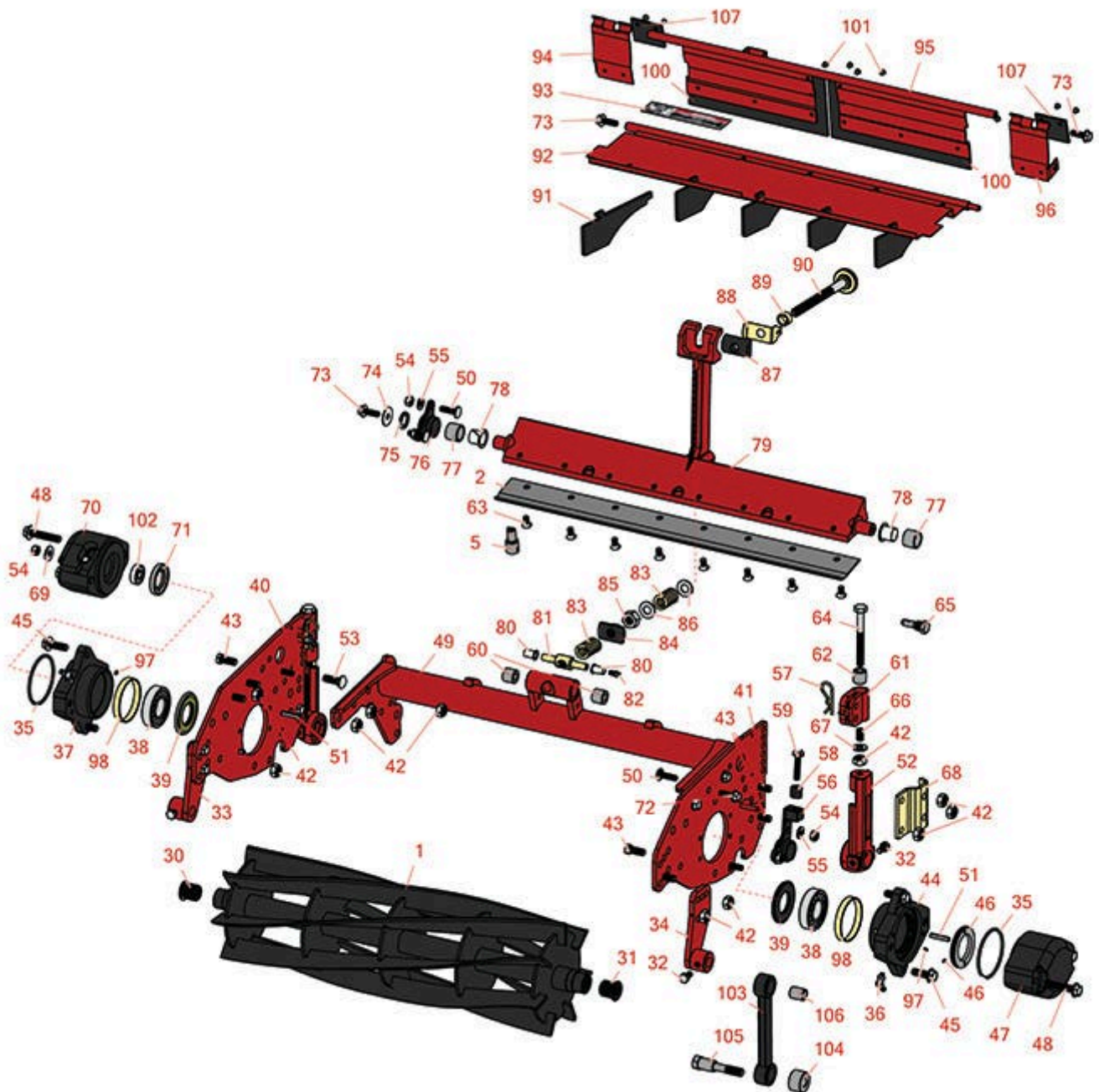




Replaces Toro Reelmaster 6500D Parts

Cutting Unit - Models 03853, 03854 & 03856
Reel & Bedknife



All original equipment manufacturers names and part numbers are used for identification purposes only, and we are in no way implying that our products are original equipment parts. Prices subject to change without notice.



Replaces Toro Reelmaster 6500D Parts

Cutting Unit - Models 03853, 03854 & 03856
Reel & Bedknife



Item No	R&R Part No.	OEM Part No.	Description	Qty Req	Price Each	Order Quantity
R&R Reels, Lifetime Guaranteed						
1	R94-4337	93-7520, 94-4337	Reel - 5 Blade	1	349.90	
1	R95-2770	95-2770	Reel - 7 Blade	1	381.55	
1	R94-4338	93-7521, 94-4338	Reel - 11 Blade	1	431.15	
R&R Bedknives, Lifetime Guaranteed						
2	R93-9774	93-9774	Bedknife - 5/16	1	44.80	
2	R94-8936	94-8936	Bedknife - 1/2	1	46.95	
Service Tools						
5	R51-0880	51-0880	Bedknife Screw Driver Tool	0	35.65	
Other Parts Available						
30	R94-2732	94-2732	Insert - Threaded RH	1	13.30	
31	R94-2733	94-2733	Insert - Threaded LH	1	13.30	
32	R93-9757	93-9757	Bolt - Hex HD Nyloc M8 x 16	4	1.65	
33	R94-4332	94-4332, 94-4332-01	Bracket - LH Front Roller	1	36.50	
34	R94-4333	94-4333, 94-4333-01	Bracket - RH Front Roller	1	36.50	
35	R93-9783	93-9783	O-Ring - Reel	2	1.30	
36	R700414	302-11, 302-19, 302-4, 32-8170	Zerk - Grease 1/4-28 45 Deg	2	0.76	
37	R93-9794	93-9794	Housing - Bearing RH	1	82.60	
38	R93-2489	93-2489	Bearing - Reel	2	21.20	

All original equipment manufacturers names and part numbers are used for identification purposes only, and we are in no way implying that our products are original equipment parts. Prices subject to change without notice.



Replaces Toro Reelmaster 6500D Parts

Cutting Unit - Models 03853, 03854 & 03856
Reel & Bedknife



Item No	R&R Part No.	OEM Part No.	Description	Qty Req	Price Each	Order Quantity
39	R94-8908	93-2483, 94-8908	Seal - Reel	2	5.45	
40	R93-2981-01	93-2981, 93-2981-01	Sideplate- RH	1	49.45	
41	R93-2982-01	93-2982, 93-2982-01	Sideplate - LH	1	49.45	
42	R33025-00	32025-00, 33025-00	Locknut - 10mm x 1.5 Jam	12	0.54	
43	R33105-025	33105-025	Bolt - Hex HD M10-1.5 x 25	8	0.98	
44	R93-9795	93-9795	Housing - Bearing LH	1	82.60	
45	R33105-030	33105-030	Bolt - Hex Washer M10	4	2.35	
46	R93-9786	105-6756, 93-9786, 95-2793, 99-5672	Nut - Bearing Adj Incl R3245-42	1	14.95	
47	R105-4011-03	105-4011, 105-4011-03, 94-4347, 94-4347-01, 94-4347-03	Weight - End	1	59.25	
48	R93-7522	93-7522	Bolt - Hx HD M10-1.5 x 90	4	1.75	
49	R100-4994-01	100-4994-01	Frame-Reel	1	273.85	
50	R94-2738	94-2738	Bolt - Carriage M8-1.25 x 25	4	0.77	
51	R32121-69	120-8095, 32121-69	Pin - Roll 1/4 x 1-1/4	4	0.56	
52	R93-2904	93-2904, 93-2904-01	Bracket - Rear Roller	2	24.15	
53	R33125-030	33125-030, 93-6452	Bolt - Carriage M10 x 30	2	2.45	

All original equipment manufacturers names and part numbers are used for identification purposes only, and we are in no way implying that our products are original equipment parts. Prices subject to change without notice.



Replaces Toro Reelmaster 6500D Parts

Cutting Unit - Models 03853, 03854 & 03856
Reel & Bedknife



Item No	R&R Part No.	OEM Part No.	Description	Qty Req	Price Each	Order Quantity
54	R33024-00	33024-00	Locknut - 8mm x 1.25	5	0.67	
55	R33094-00	33094-00, 93-5914	Washer - Flat - 8mm Hardened	4	0.12	
56	R93-2512	93-2512	Hub - Pivot LH Bed Bar	1	35.95	
56	R100-3381	100-3381	Hub - Pivot LH Bed Bar	1	29.95	
<i>Tech Note: Includes R93-7501:</i>						
57	R3290-467	3290-467	Pin-Hair	2	0.41	
58	R93-2516	93-2516	Spring - Pivot Hub Bed Bar	1	5.30	
59	R93-2571	93-2571	Bolt - Hex Nyloc Washer Head	1	3.15	
60	R62-5510	52-2870, 62-5510	Bushing	2	4.35	
61	R93-2902-01	93-2902-01	Support - HOC - Rear	2	34.80	
62	R94-4344	94-4344	Spacer	2	10.65	
63	R150476	3-3816, 3-6462, 52-4910, 57-4910	Screw - Bedknife 5/16-18 x 5/8	8	0.29	
64	R93-7500	93-7500	Bolt - Hx HD M10-1.5 x 90	2	17.20	
65	R93-2906	93-2906	Pin - HOC	2	23.90	
66	R93-2921	93-2921	Spring - Compression	2	3.95	
67	R93-7509	93-7509	Washer - Special	2	2.40	
68	R61-0910	61-0910	Bracket	2	6.20	
69	R310266	3256-23, 3256-3, 3556-3	Washer - Flat 5/16 USS	1	0.23	

All original equipment manufacturers names and part numbers are used for identification purposes only, and we are in no way implying that our products are original equipment parts. Prices subject to change without notice.



Replaces Toro Reelmaster 6500D Parts

Cutting Unit - Models 03853, 03854 & 03856

Reel & Bedknife



Item No	R&R Part No.	OEM Part No.	Description	Qty Req	Price Each	Order Quantity
70	R93-3080-03	93-3080-03	Housing, End Cap	1	58.05	
71	R253-117	253-117, 253-165	Seal - Outer Triple Lip	1	4.20	
72	R33104-025	33104-025	Bolt - Hex HD Flanged	2	5.80	
73	R33104-020	33104-020	Bolt - Hex Washer HD	4	1.85	
74	R3256-35	3256-35	Washer - Flat	2	0.59	
75	R93-7510	93-7510	Ring - Quad RH Pivot Hub	2	0.67	
76	R93-2513	93-2513	Hub - Pivot RH	1	35.95	
76	R100-3380	100-3380	Hub - Pivot RH Bed Bar	1	29.95	
<i>Tech Note: Includes R93-7501:</i>						
77	R93-7501	93-7501	Bushing	2	3.65	
78	R93-7502	93-7502	Bushing - Flanged Nylon	2	1.55	
79	R99-8698	93-2854, 95-3458, 99-8698-01	Bed Bar	1	193.55	
80	R52-2890	52-2890	Bushing - Flanged	2	0.77	
81	R57-5260	107-7409, 57-5260	Pivot - 1/2-20 - Bed Bar	1	15.75	
82	R302-18	302-18	Zerk - Grease Press Style	1	0.47	
83	R95-0772	93-2915, 95-0772	Spring - Bed Bar Adjuster	2	3.55	
84	R93-9780	93-9780	Plate Washer - Spa	1	28.70	
85	R3296-62	3296-62	Locknut - 1/2-20 LH Jam	1	1.25	
86	R29-8910-01	29-8910	Washer - Flat 1/2	2	0.36	

All original equipment manufacturers names and part numbers are used for identification purposes only, and we are in no way implying that our products are original equipment parts. Prices subject to change without notice.



Replaces Toro Reelmaster 6500D Parts

Cutting Unit - Models 03853, 03854 & 03856

Reel & Bedknife



Item No	R&R Part No.	OEM Part No.	Description	Qty Req	Price Each	Order Quantity
87	R93-2892	93-2892	Pivot - Plastic - Bed Bar	1	2.85	
88	R95-8752	93-9767, 95-8752	Arm - Spring	1	8.15	
89	R93-2959	93-2959	Spacer - Bed Bar Assy	1	2.50	
90	R95-8877	106-7536, 93-2957, 95-2762, 95-8877	Handle - Bed Bar Adjustment	1	48.95	
91	R100-2287	100-2287	Deflector-Shield,	5	2.75	
92	R100-9900	100-2285-01, 100-9900	Grass Shield - Front	1	115.95	
93	R67-7960	27-2890, 62-5070, 67-7960	Decal - Warning	1	2.75	
94	R93-2998-01	93-2998, 93-2998-01	Shield - RH	1	24.40	
95	R93-2996-01	93-2996, 93-2996-01	Rear Grass Shield	1	57.95	
96	R93-3008-01	93-3008, 93-3008-01	Shield - LH	1	26.35	
97	R3245-42	3245-42	Screw - Set 8/32 x 1/4	1	0.84	
98	R93-2922	93-2922, 93-9793	Ring - Wear Bearing Housing	2	7.25	
100	R93-3011	93-3011	Flap - Bottom	2	3.85	
101	R3295-48	3295-48	Rivet - 3/16 x 3/8 Tub	14	0.35	
101	R700382	700382	Rivet - Guard	14	0.34	
102	R93-2956	93-2956	Bearing-Ball	1	13.35	
103	R93-3087	93-3087	Bar - Link	2	21.45	

All original equipment manufacturers names and part numbers are used for identification purposes only, and we are in no way implying that our products are original equipment parts. Prices subject to change without notice.



Replaces Toro Reelmaster 6500D Parts

*Cutting Unit - Models 03853, 03854 & 03856
Reel & Bedknife*



Item No	R&R Part No.	OEM Part No.	Description	Qty Req	Price Each	Order Quantity
104	R93-9775	93-9775	Spacer	2	6.55	
105	R93-9777	93-9777	Bolt - Shoulder - Long	2	19.95	
106	R94-2700	94-2700	Spacer - Hardened	2	3.25	
107	R93-3012	93-3012	Flap - Side	1	2.35	

All original equipment manufacturers names and part numbers are used for identification purposes only, and we are in no way implying that our products are original equipment parts. Prices subject to change without notice.