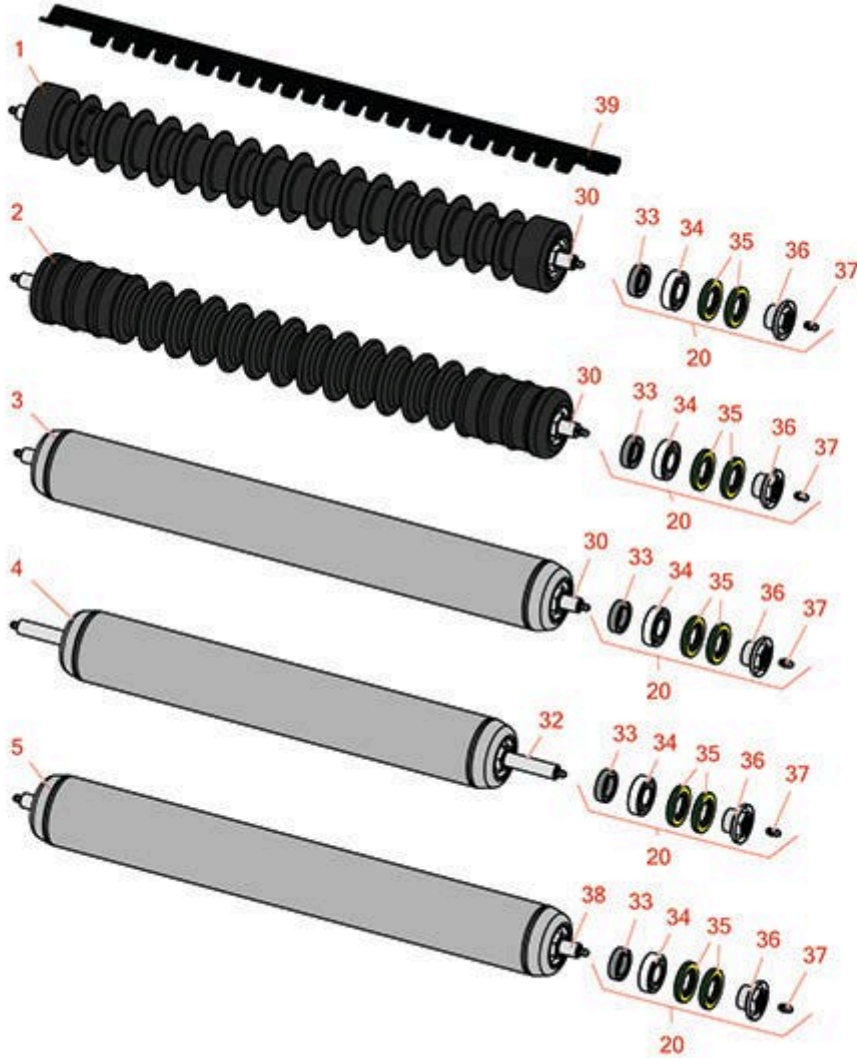




Replaces Toro Reelmaster 5510-G Parts

DPA Cutting Unit - Models 03638, 03639, 03641 & 03643
Rollers



All original equipment manufacturers names and part numbers are used for identification purposes only, and we are in no way implying that our products are original equipment parts. Prices subject to change without notice.



Replaces Toro Reelmaster 5510-G Parts

DPA Cutting Unit - Models 03638, 03639, 03641 & 03643
Rollers



Item No	R&R Part No.	OEM Part No.	Description	Qty Req	Price Each	Order Quantity
---------	--------------	--------------	-------------	---------	------------	----------------

R&R Rollers Available

1	R1503911	110-4050, 114-5400, 114-5421	Roller - Fusion Grooved UHMW Polyethylene	1	330.90	
---	-----------------	------------------------------------	--	---	---------------	--

Tech Note: Fusion Rollers combine the best features of our UHMW plastic rollers with a heavy-duty internal bearing system. Machined from solid UHMW plastic that prevents build-up of debris. This roller has a patented deep groove design and ... <Click Part# for more>:

2	R1503915	110-9608, 114-5421	Roller - Fusion Grooved UHMW Polyethylene Shoulder	1	330.90	
---	-----------------	-----------------------	--	---	---------------	--

Tech Note: Fusion Rollers combine the best features of our UHMW plastic rollers with a heavy duty internal bearing system. Machined from solid UHMW plastic that prevents build-up of debris. This roller has a patented deep groove design in t... <Click Part# for more>:

3	R114-5412	114-5412	Roller - Smooth Tubular Steel	1	256.10	
---	------------------	----------	----------------------------------	---	---------------	--

Tech Note: Constructed with a through shaft, this heavy-duty roller uses greasable stainless ball bearings. (2008 & Up):

4	R114-5417	114-5417	Roller - Smooth Solid Steel	1	255.05	
---	------------------	----------	-----------------------------	---	---------------	--

Tech Note: Constructed with a through shaft, this heavy-duty roller uses greasable stainless ball bearings. (2008 & Up):

5	R114-5415	114-5415	Roller - Smooth Tubular Steel	1	255.90	
---	------------------	----------	----------------------------------	---	---------------	--

Tech Note: Constructed with a through shaft, this heavy duty roller uses greasable stainless ball bearings. (2008 & Up):

Overhaul Kits

20	R114-5430	114-5430	Overhaul Kit - Roller	1	82.40	
----	------------------	----------	-----------------------	---	--------------	--

Tech Note: Includes 4 ea.: R112-7494 Seals; 2 ea.: R302-5 Grease Zerks, R114-3717 Seals, R112-5290 Bearings & R114-3745 Locknuts:

Other Parts Available

All original equipment manufacturers names and part numbers are used for identification purposes only, and we are in no way implying that our products are original equipment parts. Prices subject to change without notice.



Replaces Toro Reelmaster 5510-G Parts

DPA Cutting Unit - Models 03638, 03639, 03641 & 03643
Rollers



Item No	R&R Part No.	OEM Part No.	Description	Qty Req	Price Each	Order Quantity
30	R114-5403	114-5403	Shaft - Front Roller	1	49.60	
32	R114-5410	114-5410	Shaft - Short - Rear Roller	1	58.75	
33	R114-3717	114-3717	Seal	2	2.35	
34	R112-5290	112-5290, 251--346, 251-346, 72-5430	Bearing - Stainless	2	10.30	
35	R112-7494	112-7494	Seal	4	5.15	
36	R114-3745	114-3745, 114-5411	Locknut - Bearing - Stainless	2	19.15	
37	R302-5	21-6010, 302-11, 302-37, 302-47, 302-5, 302-57, 302-58, 302-6, 31-0300, 32-9660, 60-0800, 62-3880, 92-4181	Fitting - Grease	2	0.27	
38	R114-5407	114-5407	Shaft - Long Rear Roller	1	58.75	
39	R107-2993-03	107-2993-03	Scraper - Fits Toro Plastic Gr Roller Only	1	26.85	

All original equipment manufacturers names and part numbers are used for identification purposes only, and we are in no way implying that our products are original equipment parts. Prices subject to change without notice.