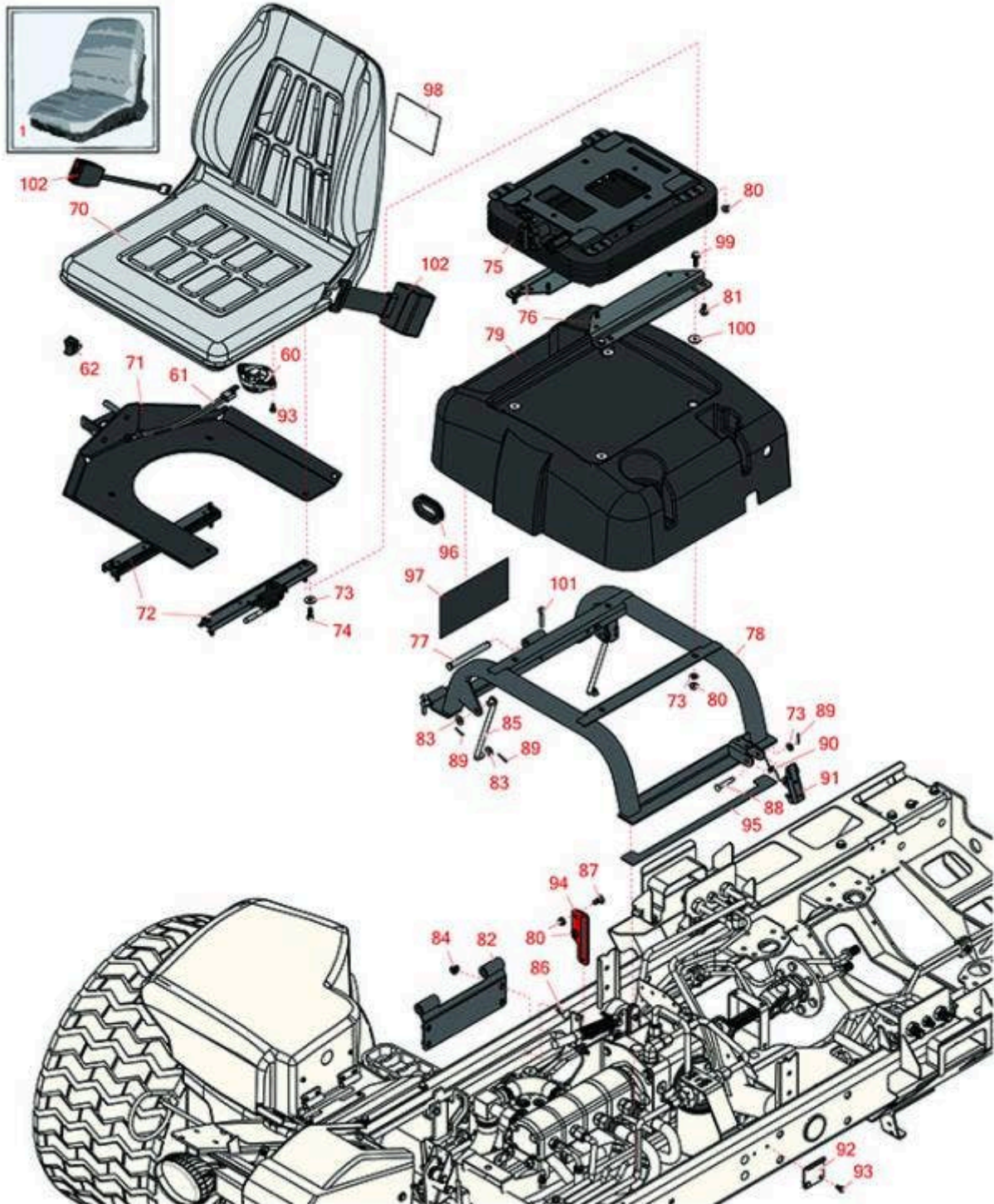




Replaces Toro Reelmaster 5410-D Parts

Traction Unit
Seat



All original equipment manufacturers names and part numbers are used for identification purposes only, and we are in no way implying that our products are original equipment parts. Prices subject to change without notice.



Replaces Toro Reelmaster 5410-D Parts

Traction Unit
Seat



Item No	R&R Part No.	OEM Part No.	Description	Qty Req	Price Each	Order Quantity
---------	--------------	--------------	-------------	---------	------------	----------------

Overhaul Kits and Service Tools

1	R120-5179	120-5179	Large Seat Cover - Gray	1	47.05	
---	------------------	----------	-------------------------	---	--------------	--

Gauges and Controls

60	R92-6282	62-6282, 92-6282	Switch - Kill - Seat	1	18.95	
61	R108-8657	108-8657	Harness-Wire, Seat	1	22.10	
62	R150229	82-2190	Switch - Operator Presence	1	20.55	

Other Parts Available

70	RMXB200GY	100-3187, 104-4620, 104-7620, 21-4880, 351-59, 351-76, 49-8130, 63-9410, 66-5400, 75-9190, 750105, 92-6280, MXB200GY	Milsco Seat XB200 - Grey	1	191.30	
----	------------------	--	--------------------------	---	---------------	--

Tech Note: This seat will not accept seat belts:

71	R108-7591-03	108-7591-03	Mount-Seat	1	210.45	
72	R150224	133-8896, 92-8990, 92-8990/92-8991, 92-8991	Adjusters - Seat (Set of 2)	1	145.95	

All original equipment manufacturers names and part numbers are used for identification purposes only, and we are in no way implying that our products are original equipment parts. Prices subject to change without notice.



Replaces Toro Reelmaster 5410-D Parts

Traction Unit
Seat



Item No	R&R Part No.	OEM Part No.	Description	Qty Req	Price Each	Order Quantity
73	R453009	01-166-0400, 24-10-BD, 24-9-AD, 32-9650, 3256-2, 3256-23, 3256-3, 3256-67, 3290-217, 3556-3, 4-2390, 7-0152	Washer - Flat 5/16 SAE	9	0.13	
74	R434024	3274-12	Bolt - Soc HD Cap 5/16-18 x 3/4	4	1.25	
75	R110-8851	110-8851	Mechanical Suspension - Seat	1	600.45	
75	R108-1695	108-1695	Air Ride Suspension - Seat	1	855.65	
76	R108-6590-03	108-6590-03	Seat Bracket - Lower	2	27.90	
77	R283-83	283-83, 42194, 93-5343	Pin - Clevis	2	5.15	
78	R108-7577-03	108-7577-03	Seat Base Assy	1	289.85	
79	R108-1757	108-1757	Cover-Seat Base	1	179.65	
80	R104-8300	104-8300, 104-8300 , 119-4041	Locknut - 5/16-18 Flanged Y/Zinc	10	0.47	
81	R33114-016	33114-016, 42-9230, 42-9270, 48-7680, 48-7690, 48-7700	Bolt - Hx HD 8mm x 1.25 x 15	4	0.40	
82	R108-7582-03	108-7582-03	Pivot Plate Assy	1	52.70	

All original equipment manufacturers names and part numbers are used for identification purposes only, and we are in no way implying that our products are original equipment parts. Prices subject to change without notice.



Replaces Toro Reelmaster 5410-D Parts

Traction Unit
Seat



Item No	R&R Part No.	OEM Part No.	Description	Qty Req	Price Each	Order Quantity
83	R453011	01-166-0100, 01-166-0120, 01-166-0270, 01-166-0500, 01-166-0600, 01-166-0620, 132-4593, 2356-3, 237-12, 24-10-AD, 24-11-AD, 24-11-BD, 24-12-AD, 24-12-BD, 30-9310, 32-8190, 3256-24, 3256-3, 3256-36, 3256-4, 453011, 47-9950, 48-9220, 513458, 7-0052	Washer - Flat 3/8 SAE Y/Zinc	4	0.11	
84	R104-8301	104-8301, 104-9301, 109-6658, 133-7570	Locknut - 3/8-16 Nylon Flanged	4	0.84	
85	R98-0917	98-0917	Rod-Prop	2	35.65	
86	R3231-27	3231-27	Bolt - Carriage 3/8-16 x 7/8	4	0.53	
87	R3230-1	01-173-0506, 3230-1, 3230-20, 900037P	Bolt - Carriage 5/16-18 x 3/4	2	0.62	
88	R94-3829	94-3829	Pin - Clevis	1	2.55	

All original equipment manufacturers names and part numbers are used for identification purposes only, and we are in no way implying that our products are original equipment parts. Prices subject to change without notice.



Replaces Toro Reelmaster 5410-D Parts

Traction Unit
Seat



Item No	R&R Part No.	OEM Part No.	Description	Qty Req	Price Each	Order Quantity
89	R1023-4	01-151-0150, 1023-4, 19-6220, 214-14, 215-54, 28-9-D, 3272-4, 3272-6, 513567, 932008P	Pin - Cotter 3/32 x 3/4	1	0.23	
90	R104-4821	104-4821	Spring - Torsion - Seat Base	1	3.65	
91	R110-8971	110-8971	Latch	1	9.85	
92	R110-8972	110-8972	Hook-Latch	1	5.35	
93	R12-3270	12-3270, 30-0700, 32104-17, 9266714, Aug-80	Bolt - Hex Washer 1/4-20 x 1/2	2	1.45	
94	R108-7584-01	108-7584-01	Plate-Guide, Rod	1	6.90	
95	R110-5255	110-5255	Bumper - Base - Seat	2	19.10	
96	R240-12	240-12	Grommet	1	13.10	
97	R114-8891	110-0996, 114-8890, 114-8891	Decal- Reel Speed	1	25.15	
98	R110-0990	110-0990	Decal- Service	1	9.95	
99	R3234-29	3234-17, 3234-29	Bolt - 5/16-18x1 Serr Hex	4	1.65	
100	R366653	71-9310	Spacer	4	3.85	

All original equipment manufacturers names and part numbers are used for identification purposes only, and we are in no way implying that our products are original equipment parts. Prices subject to change without notice.



Replaces Toro Reelmaster 5410-D Parts

*Traction Unit
Seat*



Item No	R&R Part No.	OEM Part No.	Description	Qty Req	Price Each	Order Quantity
101	R3272-11	01-151-0010, 01-151-0040, 28-18-D, 28-28-D, 3211-72, 3272-11	Pin - Cotter	2	0.70	
102	R150848	100-4928, 110-0413, 110-9720, 95-8910	Belt-Seat	1	194.60	

All original equipment manufacturers names and part numbers are used for identification purposes only, and we are in no way implying that our products are original equipment parts. Prices subject to change without notice.