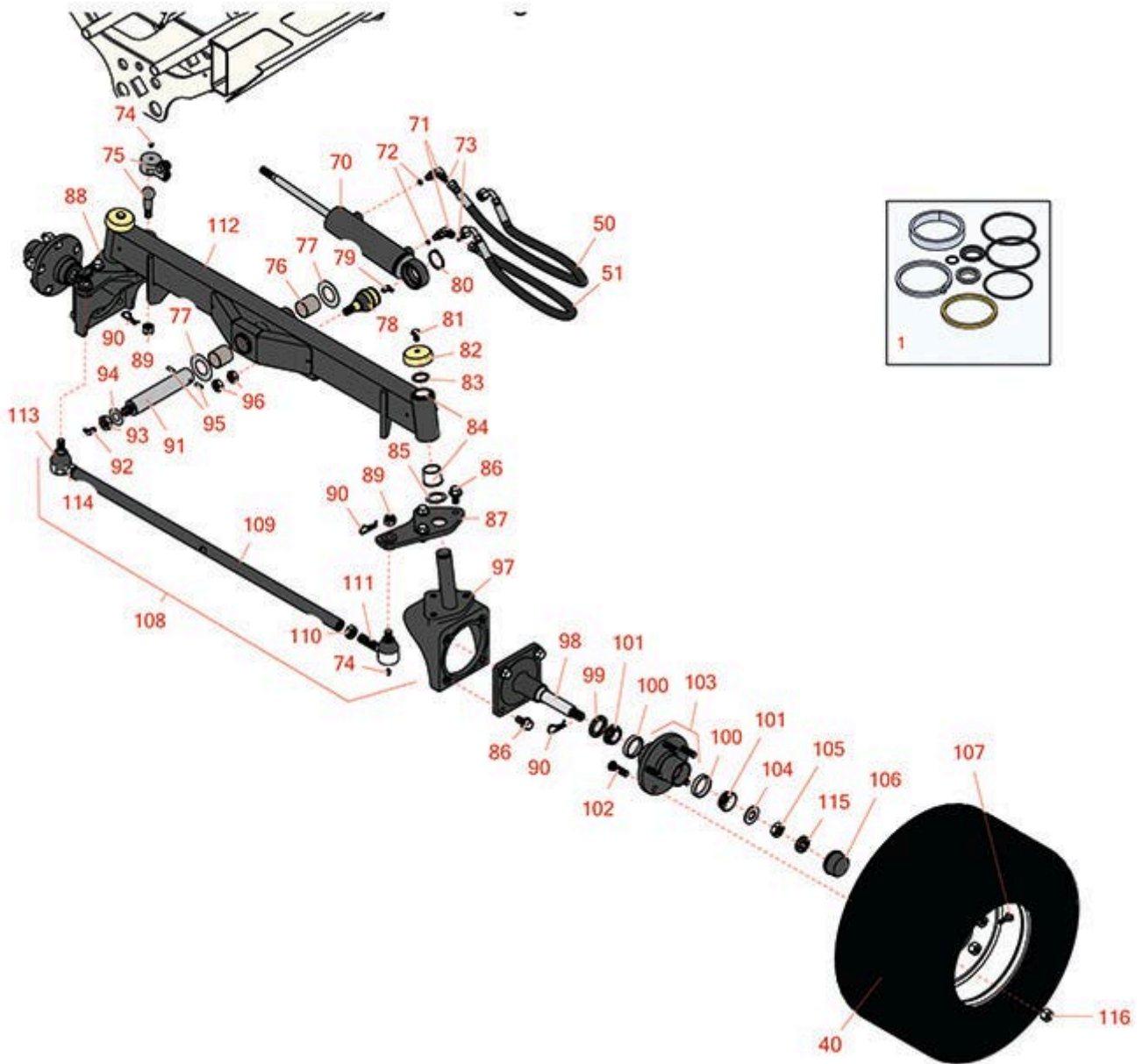




# Replaces Toro Reelmaster 5410-D Parts

Traction Unit  
Rear Axle



All original equipment manufacturers names and part numbers are used for identification purposes only, and we are in no way implying that our products are original equipment parts. Prices subject to change without notice.



# Replaces Toro Reelmaster 5410-D Parts

Traction Unit  
Rear Axle



Item No	R&R Part No.	OEM Part No.	Description	Qty Req	Price Each	Order Quantity
<b>Overhaul Kits and Service Tools</b>						
1	<b>R110-6461</b>	110-6461	Seal Kit -Fits R107-4458 Cylinder	1	<b>75.50</b>	
<b>Tires</b>						
40	<b>RCT575315</b>	117-5125	Tire - 20x12.00-10 Nhs (4 Ply) Carlisle Turf Trac R/S	2	<b>103.10</b>	
<b>Hoses</b>						
50	<b>R110-0973</b>	110-0973	Hose Asy	1	<b>48.70</b>	
51	<b>R110-0928</b>	110-0928	Hydraulic Hose Assy	1	<b>50.40</b>	
<b>Other Parts Available</b>						
70	<b>R107-4458</b>	107-4458, 110-9035	Hydraulic Cylinder	1	<b>366.50</b>	
71	<b>R340-132</b>	340-132	Hydraulic Fitting - 90 Deg	2	<b>14.40</b>	
72	<b>R237-22</b>	107-8844, 237-22, 237-78	O-Ring	2	<b>0.62</b>	
73	<b>R237-21</b>	237-21, 327-21	O-Ring	2	<b>0.47</b>	
74	<b>R302-5</b>	21-6010, 302-11, 302-37, 302-47, 302-5, 302-57, 302-58, 302-6, 31-0300, 32-9660, 60-0800, 62-3880, 92-4181	Fitting - Grease	5	<b>0.27</b>	

All original equipment manufacturers names and part numbers are used for identification purposes only, and we are in no way implying that our products are original equipment parts. Prices subject to change without notice.



# Replaces Toro Reelmaster 5410-D Parts

*Traction Unit  
Rear Axle*



Item No	R&R Part No.	OEM Part No.	Description	Qty Req	Price Each	Order Quantity
75	<b>R106-6895-03</b>	106-6895-03, 69-9810, 69-9810-03	Ball Joint Assy	1	<b>141.45</b>	
76	<b>R99-6964</b>	99-6964	Bushing - Axle	2	<b>2.70</b>	
77	<b>R99-8432</b>	99-8432	Washer - Thrust	2	<b>5.85</b>	
78	<b>R106-6774</b>	106-6774, 92-5838, 92-5838-01	Ball Joint	1	<b>48.65</b>	
79	<b>R302-40</b>	302-13, 302-40	Fitting - Grease	1	<b>0.82</b>	
80	<b>R32151-104</b>	32151-104	Ring - Retaining, Ex	1	<b>4.35</b>	
81	<b>R3234-1</b>	321-11, 3234-1	Bolt - Flanged Serrated Hex HD 3/8-16 x 3/4	2	<b>1.45</b>	
82	<b>R69-8890</b>	69-8890	Cap-Spindle	2	<b>8.45</b>	
83	<b>R32151-77</b>	32151-77	Ring - Retaining	2	<b>3.65</b>	
84	<b>R104-0015</b>	104-0015, 104-8339	Bushing - Flanged	4	<b>5.15</b>	
85	<b>R76-2980</b>	76-2980	Washer - Thrust	2	<b>4.55</b>	
86	<b>R3234-6</b>	32144-13, 3234-6, 3434-6	Bolt - Hex HD Flanged	14	<b>7.95</b>	
87	<b>R110-5297-03</b>	110-5297-03	Link - Drag LH	1	<b>55.30</b>	
88	<b>R110-5295-03</b>	110-5295-03	Link - Drag - RH	1	<b>55.30</b>	
89	<b>R105-7941</b>	105-7941	Nut - Hex - Slotted	3	<b>10.95</b>	
90	<b>R3272-12</b>	01-151-0090, 28-19-D, 3272-12	Pin - Cotter 1/8 x 1-1/4	5	<b>0.11</b>	

All original equipment manufacturers names and part numbers are used for identification purposes only, and we are in no way implying that our products are original equipment parts. Prices subject to change without notice.



# Replaces Toro Reelmaster 5410-D Parts

*Traction Unit  
Rear Axle*



Item No	R&R Part No.	OEM Part No.	Description	Qty Req	Price Each	Order Quantity
91	<b>R140-6101</b>	140-6101, 98-8173, 98-8173-03	Pivot Pin - Rear Lift Arm	1	<b>55.95</b>	
92	<b>R323016</b>	302-33, 323016	Zerk - Grease	1	<b>0.80</b>	
93	<b>R444742</b>	32146-20, 9150906, 915090P	Nut - 3/4-16 Gripco Centerlock	1	<b>2.30</b>	
94	<b>R71-4540</b>	71-4540	Washer - Thrust	1	<b>2.40</b>	
95	<b>R32121-32</b>	01-153-0180, 32121-32	Pin - Roll 1/4 x 1-3/4	1	<b>0.69</b>	
96	<b>R443828</b>	01-191-1018, 3214, 3220-6, 443828, 915089P	Nut - 5/8-18 Hex	2	<b>0.62</b>	
97	<b>R107-4517-03</b>	107-4517-03	Housing - Motor	2	<b>136.65</b>	
98	<b>R110-5299-03</b>	110-5299-03	Spindle	2	<b>100.05</b>	
98	<b>R117-8958</b>	117-8958	Spindle	2	<b>119.65</b>	
99	<b>R253-129</b>	253-129, 41321	Seal	2	<b>13.45</b>	
99	<b>R112-1690</b>	112-1690	Seal - Hub	2	<b>6.80</b>	
100	<b>R254-72</b>	01-103-0050, 01-103-0120, 01-103-0140, 1-543508, 254-71, 254-72, 40439, 62-3340, 99-4511	Cup - Bearing	4	<b>3.85</b>	

All original equipment manufacturers names and part numbers are used for identification purposes only, and we are in no way implying that our products are original equipment parts. Prices subject to change without notice.



# Replaces Toro Reelmaster 5410-D Parts

*Traction Unit  
Rear Axle*



Item No	R&R Part No.	OEM Part No.	Description	Qty Req	Price Each	Order Quantity
101	<b>R254-94</b>	1-543509, 254-94, 32-8090, 32-8240, 32-9640, 40440, 62-3330	Tapered Bearing Cone	4	<b>7.15</b>	
102	<b>R10-6830</b>	10-6830, 75-9440	Stud - Wheel 1/2-20 x 1 3/4	10	<b>8.50</b>	
102	<b>R114-3918</b>	1-633926, 114-3918	Stud - Wheel	10	<b>2.55</b>	
103	<b>R21-0180</b>	21-0180	Hub Assy	2	<b>203.60</b>	
103	<b>R121-5631</b>	121-5621, 121-5631	Hub Assy	2	<b>88.95</b>	
104	<b>R93-0309</b>	93-0309	Washer - Tab	2	<b>3.15</b>	
105	<b>R3220-7</b>	01-191-1216, 3220-7, Mar-03	Nut - 3/4-16 Jam Zinc	2	<b>2.55</b>	
106	<b>R241-119</b>	01-269-0070, 01-269-0280, 01-286-0040, 241-119, 30-9930, 40438	Cap-Dust	2	<b>7.25</b>	
107	<b>R232-27</b>	232-27, 232-31	Stem - Valve w/ Cap	2	<b>4.15</b>	
108	<b>R110-5334-03</b>	110-5334-03	Tie Rod Assy	1	<b>264.70</b>	
109	<b>R110-5335</b>	110-5335	Tie Rod	1	<b>88.15</b>	
110	<b>R110-5337</b>	110-5337	Nut - Jam 11/16-18 LH	2	<b>5.45</b>	
111	<b>R2411-46</b>	2411-40, 2411-46, 2411-46-03	End - Tie Rod - LH	2	<b>60.30</b>	

All original equipment manufacturers names and part numbers are used for identification purposes only, and we are in no way implying that our products are original equipment parts. Prices subject to change without notice.



# Replaces Toro Reelmaster 5410-D Parts

*Traction Unit  
Rear Axle*



Item No	R&R Part No.	OEM Part No.	Description	Qty Req	Price Each	Order Quantity
112	<b>R107-4546-03</b>	107-4546-03	Axle Assy	1	<b>540.80</b>	
113	<b>R71-4740-03</b>	2411-45, 71-4740, 71-4740-03	End - Tie Rod - RH	1	<b>89.85</b>	
114	<b>R84-5300</b>	84-5300	Nut - Jam 11/16-18 RH	1	<b>5.45</b>	
115	<b>R93-0307</b>	93-0307	Nut - Lock Retainer	2	<b>1.90</b>	
116	<b>R242-50</b>	242-50	Nut - 1/2-20 Wheel	10	<b>1.50</b>	

All original equipment manufacturers names and part numbers are used for identification purposes only, and we are in no way implying that our products are original equipment parts. Prices subject to change without notice.