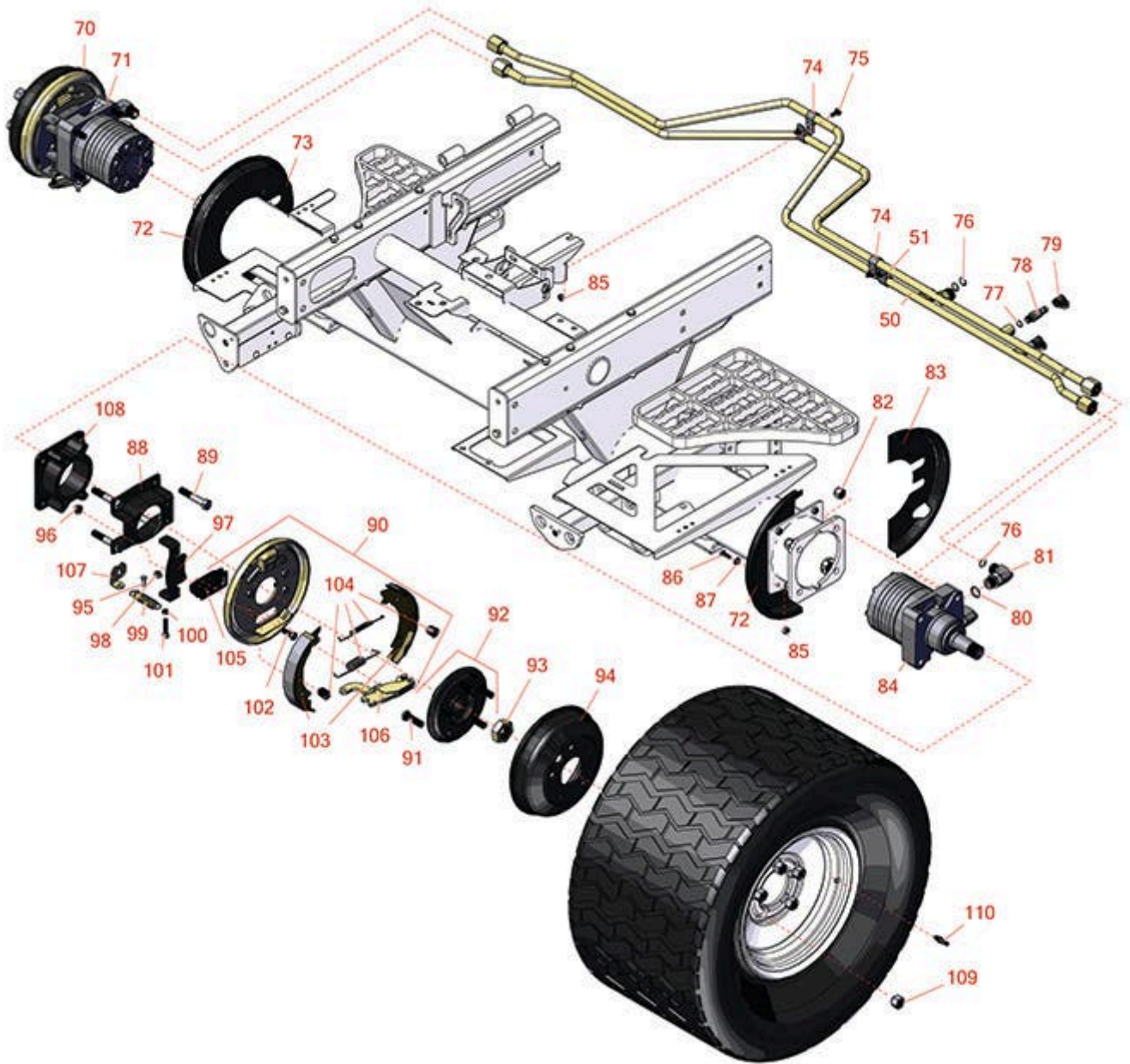




Replaces Toro Reelmaster 5410-D Parts

Traction Unit
Front Wheel



All original equipment manufacturers names and part numbers are used for identification purposes only, and we are in no way implying that our products are original equipment parts. Prices subject to change without notice.



Replaces Toro Reelmaster 5410-D Parts

Traction Unit
Front Wheel



Item No	R&R Part No.	OEM Part No.	Description	Qty Req	Price Each	Order Quantity
Hoses						
50	R108-7632	108-7632	Tube Assy	2	129.45	
51	R108-7633	108-7633	Tube Assy	2	128.95	
Other Parts Available						
70	R110-8871	110-8871	Brake Assy - RH	1	231.80	
70	R120-6260	120-6260	Brake Assy - RH	1	295.60	
71	R114-8858	114-8858	Hydraulic Motor - Wheel RH	1	1074.95	
71	R110-8965	110-8965	Hydraulic Motor - RH	1	850.95	
71	R106-3875	106-3875	Hydraulic Motor - Wheel RH	1	1046.05	
71	R114-8860	114-8860	Hydraulic Motor - RH Wheel	1	897.50	
71	R120-6265	120-6265	Hydraulic Motor Assy (Cw)	1	1266.90	
72	R110-0950	110-0950	Shield - Brake - Front	2	39.15	
73	R110-8878	110-8878	Shield-Wheel - Rear RH	1	39.15	
74	R2412-134	2412-134	R-Clamp	4	4.35	
75	R3234-4	3234-4	Bolt - Hx Ser Was HD 1/4-20 x 3/4	4	0.67	
76	R237-65	237-65, 237.65	O-Ring	2	0.65	
77	R237-42	237-42, 31-4160	O-Ring	2	0.80	
78	R59-7410	59-7410	Tip-Nipple	2	20.15	
79	R354-79	354-79	Cap-Dust	2	4.85	
80	R237-80	237-80, 327-80	O-Ring	4	1.85	

All original equipment manufacturers names and part numbers are used for identification purposes only, and we are in no way implying that our products are original equipment parts. Prices subject to change without notice.



Replaces Toro Reelmaster 5410-D Parts

Traction Unit
Front Wheel



Item No	R&R Part No.	OEM Part No.	Description	Qty Req	Price Each	Order Quantity
81	R340-17	340-17	No 10 Male Orfs x No 10 Male Orb	4	23.45	
82	RF5003	32127-29, 32131-5, 32132-5, 3296-23	Locknut - ESNA 1/2-13	8	0.78	
83	R110-0951	110-0951	Shiel D- Wheel - Rear LH	1	39.15	
84	R114-8857	114-8857	Hydraulic Motor - Wheel LH	1	924.80	
84	R106-3874	106-3874	Hydraulic Motor - Wheel LH	1	1046.05	
84	R110-8964	110-8964	Hydraulic Motor - LH	1	850.95	
84	R114-8859	114-8859	Hydraulic Motor - LH Wheel	1	897.50	
84	R120-6264	120-6264	Hydraulic Motor Assy (Ccw)	1	1266.90	
85	R301504	2296-42, 301504, 32127-24, 32128-33, 32146-17, 3296-16, 3296-42, 3296-42 , 915661P	Locknut - ESNA 1/4-20	8	0.18	
86	R321-4	01-150-1030, 01-178-0406, 20-3-AGD, 321-4, 3222-1	Bolt - Hex HD 1/4-20 x 3/4	8	0.52	

All original equipment manufacturers names and part numbers are used for identification purposes only, and we are in no way implying that our products are original equipment parts. Prices subject to change without notice.



Replaces Toro Reelmaster 5410-D Parts

Traction Unit
Front Wheel



Item No	R&R Part No.	OEM Part No.	Description	Qty Req	Price Each	Order Quantity
87	R453009	01-166-0400, 24-10-BD, 24-9-AD, 32-9650, 3256-2, 3256-23, 3256-3, 3256-67, 3290-217, 3556-3, 4-2390, 7-0152	Washer - Flat 5/16 SAE	8	0.13	
88	R110-5343-03	110-5343-03	Bracket-Brake	1	29.95	
89	R325-11	01-150-0330, 20-92-AGD, 325-11, 325-9	Bolt - Hex HD 1/2-13 x 2-3/4	8	2.35	
90	R110-8872	110-8872	Brake Assy - LH	1	231.80	
90	R120-6261	120-6261	Brake Assy - LH	1	295.60	
91	R10-6830	10-6830, 75-9440	Stud - Wheel 1/2-20 x 1 3/4	10	8.50	
91	R114-3918	1-633926, 114-3918	Stud - Wheel	10	2.55	
92	R114-8876	114-8876	Hub Assy	2	109.15	
92	R110-9046	106-3605, 110-9046	Hub - Wheel	2	77.85	
92	R120-6255	120-6255	Hub Assy w/Studs	2	98.10	
92	R121-5631	121-5621, 121-5631	Hub Assy	2	88.95	
93	R26-3790	26-3790	Nut - Hex - Wheel Motor 1-20	2	14.75	
94	R108-6980	108-6980	Drum - Brake	2	127.75	
94	R114-8864	114-8864	Drum - Brake	2	128.40	

All original equipment manufacturers names and part numbers are used for identification purposes only, and we are in no way implying that our products are original equipment parts. Prices subject to change without notice.



Replaces Toro Reelmaster 5410-D Parts

*Traction Unit
Front Wheel*



Item No	R&R Part No.	OEM Part No.	Description	Qty Req	Price Each	Order Quantity
95	R283-62	283-62	Pin - Clevis 5/16 x 3/4	2	0.74	
96	R3296-39	32127-25, 32128-36, 3290-357, 3296-17, 3296-22, 3296-39, 915663P, 99-7443	Locknut - 3/8-16 Nylon	8	1.40	
97	R117-0203-03	117-0203-03	Bracket- Brake Spring	2	16.40	
98	R104-8300	104-8300, 104-8300 , 119-4041	Locknut - 5/16-18 Flanged Y/Zinc	2	0.47	
99	R87-4020	87-4020	Spring - Extension	2	9.60	
100	RP457-2	01-191-0518, 22-12-AJK, 3218-2, 513299, P457-2	Nut - Jam 5/16-18 Zinc	2	0.19	
101	R322-7	01-150-0750, 01-150-0760, 01-178-0512, 20-28-AD, 20-28-AGD, 322-7, 3223-4	Bolt - Hex HD 5/16-18 x 1-1/2	2	0.62	
102	R323-6	01-150-0010, 01-178-0608, 20-47-AD, 20-47-AGD, 3224-2, 323-6, 49-3510, 908034P, 908332	Bolt - Hex HD 3/8-16 x 1 GR5 YZ	8	0.59	
103	R108-6981	108-6981	Brake Shoe Kit - Set/2	2	71.45	
104	R108-6983	108-6983	Brake Hardware Kit	2	13.60	

All original equipment manufacturers names and part numbers are used for identification purposes only, and we are in no way implying that our products are original equipment parts. Prices subject to change without notice.



Replaces Toro Reelmaster 5410-D Parts

*Traction Unit
Front Wheel*



Item No	R&R Part No.	OEM Part No.	Description	Qty Req	Price Each	Order Quantity
105	R110-8885	110-8885	Dust Boot Kit - Brake	2	12.35	
106	R110-8910	110-8910	Actuator Kit - LH	1	33.80	
106	R110-8884	110-8884	Actuator Kit - RH	1	33.80	
107	R120-6267	120-6267	Clip - Spring - LH	2	5.45	
107	R120-6266	120-6266	Clip - Spring - RH	2	5.45	
108	R120-6253-03	120-6253-03	Adapter-Brake	2	44.20	
109	R242-50	242-50	Nut - 1/2-20 Wheel	10	1.50	
110	R232-27	232-27, 232-31	Stem - Valve w/ Cap	2	4.15	

All original equipment manufacturers names and part numbers are used for identification purposes only, and we are in no way implying that our products are original equipment parts. Prices subject to change without notice.