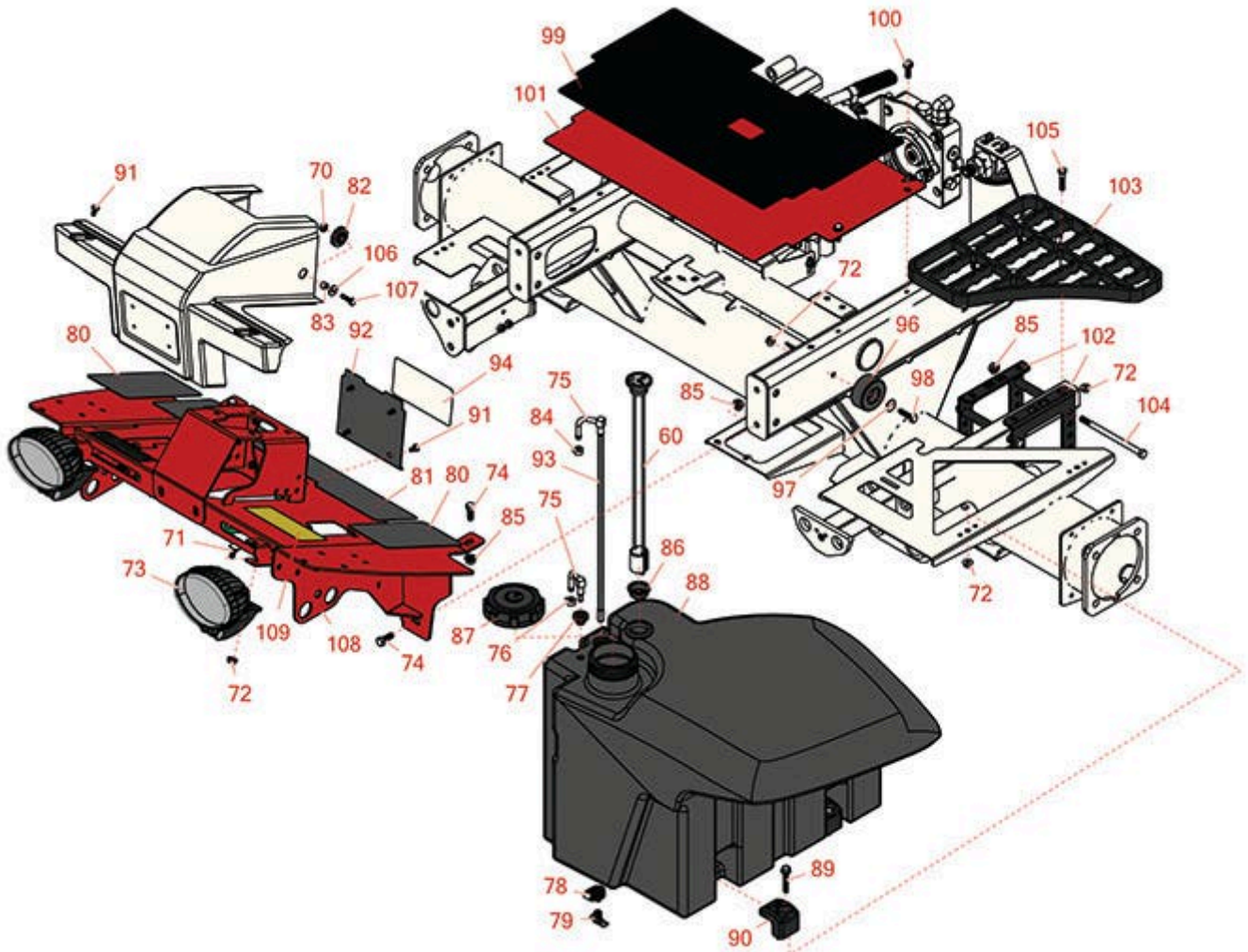




Replaces Toro Reelmaster 5410-D Parts

Traction Unit
Front Frame



All original equipment manufacturers names and part numbers are used for identification purposes only, and we are in no way implying that our products are original equipment parts. Prices subject to change without notice.



Replaces Toro Reelmaster 5410-D Parts

Traction Unit
Front Frame



Item No	R&R Part No.	OEM Part No.	Description	Qty Req	Price Each	Order Quantity
Gauges and Controls						
60	R108-1640	108-1640	Gauge-Fuel	1	55.90	
Other Parts Available						
70	R301504	2296-42, 301504, 32127-24, 32128-33, 32146-17, 3296-16, 3296-42, 3296-42 , 915661P	Locknut - ESNA 1/4-20	2	0.18	
<i>Tech Note: 2006 Only:</i>						
70	R32128-33	32128-33	Nut - 1/4-20 Flanged Serr	2	0.70	
<i>Tech Note: 2007 and Up:</i>						
71	R3230-1	01-173-0506, 3230-1, 3230-20, 900037P	Bolt - Carriage 5/16-18 x 3/4	2	0.62	
72	R104-8300	104-8300, 104-8300 , 119-4041	Locknut - 5/16-18 Flanged Y/Zinc	13	0.47	
73	R151712	108-6471, 112-9177, 94-9024	LED Oval Work Light - 12 LED 30w	2	78.25	
74	R3234-11	3234-11	Bolt - Hex Washer HD	4	1.05	
75	R108-1643	108-1643	Fitting - Return	1	23.75	
76	R2412-146	2412-146	Hose Clamp	1	1.45	
77	R46-6560	46-6560	Bushing	2	3.55	

All original equipment manufacturers names and part numbers are used for identification purposes only, and we are in no way implying that our products are original equipment parts. Prices subject to change without notice.



Replaces Toro Reelmaster 5410-D Parts

Traction Unit
Front Frame



Item No	R&R Part No.	OEM Part No.	Description	Qty Req	Price Each	Order Quantity
78	R2412-36	2210-87, 2412-36, 31-9140, 93-5818, 99-0772	Clamp - Hose 1/2	1	2.75	
79	R304-46	304-46	Draincock	1	5.30	
80	R110-0988	110-0988	Pad - Anti-Skid-Floor, Side	2	6.05	
81	R108-1845	108-1845	Pad - Anti-Skid-Board, Floor	1	23.05	
82	R240-11	240-11	Bushing - Rubber - Flanged	2	2.45	
83	R66-8010	66-8010	Spacer	2	3.20	
84	R92-2379	92-2379	Clamp - Hose	1	0.41	
85	R104-8301	104-8301, 104-9301, 109-6658, 133-7570	Locknut - 3/8-16 Nylon Flanged	8	0.84	
86	R95-8972	95-8972	Grommet	1	6.30	
87	R110-0897	110-0897	Cap- Diesel	1	25.50	
<i>Tech Note: 2006-2007:</i>						
87	R114-5062	114-5062	Bio Diesel Fuel Cap	1	28.25	
<i>Tech Note: 2008 AND Up:</i>						
88	R108-1842	108-1842	Fuel Tank Assy	1	278.60	
<i>Tech Note: 2006-2009:</i>						
89	R94-5780	94-5780	Bolt - 5/16-18 x 1 3/4 Hx Fl	2	2.35	
90	R107-4543	107-4543	Clamp	2	6.30	

All original equipment manufacturers names and part numbers are used for identification purposes only, and we are in no way implying that our products are original equipment parts. Prices subject to change without notice.



Replaces Toro Reelmaster 5410-D Parts

Traction Unit
Front Frame



Item No	R&R Part No.	OEM Part No.	Description	Qty Req	Price Each	Order Quantity
91	R12-3270	12-3270, 30-0700, 32104-17, 9266714, Aug-80	Bolt - Hex Washer 1/4-20 x 1/2	6	1.45	
92	R110-0947-03	110-0947, 110-0947-03	Plate - Cover	1	11.30	
93	R108-1642	108-1642	Fuel Line-Suction	1	51.25	
<i>Tech Note: 2006-2009:</i>						
94	R110-0986	110-0986	Decal - Cover Plate	1	5.85	
96	R108-1605	108-1605	Bumper-Recess	1	5.85	
97	R310266	3256-23, 3256-3, 3556-3	Washer - Flat 5/16 USS	1	0.23	
98	R400190	01-150-0720, 01-178-0510, 30-8680, 322-6, 513343	Bolt - Hex HD 5/16-18 x 1-1/4 GR5	1	0.40	
99	R108-1844	108-1844	Tread - Non Slip	1	25.40	
<i>Tech Note: 2006-2009:</i>						
100	R3234-29	3234-17, 3234-29	Bolt - 5/16-18x1 Serr Hex	4	1.65	
101	R108-1806-01	108-1806-01	Plate-Floor	1	83.70	
<i>Tech Note: 2006-2009:</i>						
102	R108-1671-01	108-1671-01	Bracket-Step	4	19.35	
<i>Tech Note: 2006-2009:</i>						
103	R108-1670	108-1670	Step	2	116.05	

All original equipment manufacturers names and part numbers are used for identification purposes only, and we are in no way implying that our products are original equipment parts. Prices subject to change without notice.



Replaces Toro Reelmaster 5410-D Parts

Traction Unit
Front Frame



Item No	R&R Part No.	OEM Part No.	Description	Qty Req	Price Each	Order Quantity
<i>Tech Note: 2006-2007:</i>						
104	R323-58	100-8528, 323-36, 323-58	Bolt - Hex HD	4	3.15	
<i>Tech Note: 2006-2009:</i>						
105	R322-17	322-17	Bolt	8	2.35	
106	R87-6630	87-6630	Washer	2	0.59	
107	R106-9518	106-9518	Screw-Prh	2	1.25	
108	R107-4501-01	107-4501-01	Platform Assy	1	515.05	
109	R110-8924	110-8924	Decal-Danger	1	13.30	

All original equipment manufacturers names and part numbers are used for identification purposes only, and we are in no way implying that our products are original equipment parts. Prices subject to change without notice.