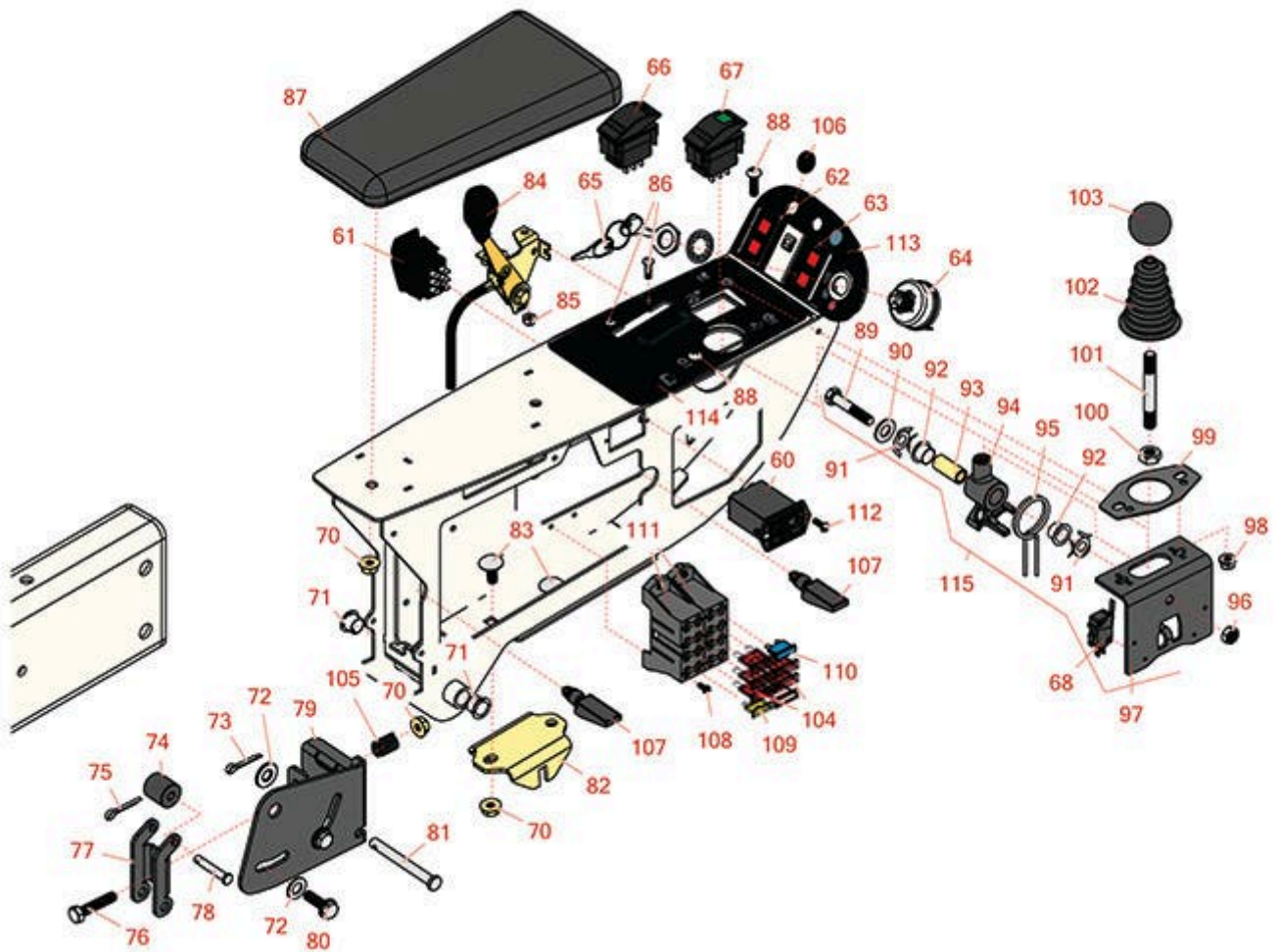




# Replaces Toro Reelmaster 5410-D Parts

Traction Unit

Console & Control Arm



All original equipment manufacturers names and part numbers are used for identification purposes only, and we are in no way implying that our products are original equipment parts. Prices subject to change without notice.



# Replaces Toro Reelmaster 5410-D Parts

*Traction Unit*

*Console & Control Arm*



Item No	R&R Part No.	OEM Part No.	Description	Qty Req	Price Each	Order Quantity
<b>Gauges and Controls</b>						
60	<b>R75-6820</b>	75-6820	Meter - Hour - Quartz	1	<b>59.85</b>	
61	<b>R95-8999</b>	95-8999	Switch - Headlight	1	<b>28.80</b>	
62	<b>R100-8071</b>	100-8071	Lamp - Warning	1	<b>22.35</b>	
63	<b>R100-8070</b>	100-8070	Lamp - Warning	1	<b>22.35</b>	
64	<b>R104-2541</b>	104-2541, 88-9830	Switch - Key 6 Lead 5/8 Mt.	1	<b>18.80</b>	
65	<b>R343060</b>	218-412, 32-8380, 33-2010, 62-7770, 63-8360, 94-2618	Ignition - Key Set/2	1	<b>2.75</b>	
66	<b>R100-1535</b>	100-1535, 100-8492	Switch	1	<b>60.05</b>	
67	<b>R105-4232</b>	105-4232	Switch - Enable-Disable	1	<b>48.75</b>	
68	<b>R108-6496</b>	108-6496	Micro Switch w/Boot	2	<b>11.30</b>	
<b>Other Parts Available</b>						
70	<b>R104-8300</b>	104-8300, 104-8300 , 119-4041	Locknut - 5/16-18 Flanged Y/Zinc	5	<b>0.47</b>	
71	<b>R256-257</b>	256-257, 256-295	Nyliner Bushing	2	<b>2.45</b>	

All original equipment manufacturers names and part numbers are used for identification purposes only, and we are in no way implying that our products are original equipment parts. Prices subject to change without notice.



# Replaces Toro Reelmaster 5410-D Parts

Traction Unit

Console & Control Arm



Item No	R&R Part No.	OEM Part No.	Description	Qty Req	Price Each	Order Quantity
72	<b>R453009</b>	01-166-0400, 24-10-BD, 24-9-AD, 32-9650, 3256-2, 3256-23, 3256-3, 3256-67, 3290-217, 3556-3, 4-2390, 7-0152	Washer - Flat 5/16 SAE	2	<b>0.13</b>	
73	<b>R3272-10</b>	01-151-0120, 105-7512, 3272-10, N/A	Pin - Cotter 1/8 x 3/4	1	<b>0.13</b>	
74	<b>R110-8856</b>	110-8856	Spacer	1	<b>13.95</b>	
75	<b>R3272-1</b>	3272-1, 3272-51, 352-111, 352-142, 58-1480	Pin-Cotter	1	<b>0.22</b>	
76	<b>R322-7</b>	01-150-0750, 01-150-0760, 01-178-0512, 20-28-AD, 20-28-AGD, 322-7, 3223-4	Bolt - Hex HD 5/16-18 x 1-1/2	1	<b>0.62</b>	
77	<b>R110-5314</b>	110-5314	Latch	1	<b>14.20</b>	
78	<b>R283-73</b>	283-73	Pin-Clevis	1	<b>1.30</b>	
79	<b>R110-5313-03</b>	110-5313-03	Bracket - Retainer	1	<b>21.75</b>	
80	<b>R3234-29</b>	3234-17, 3234-29	Bolt - 5/16-18x1 Serr Hex	2	<b>1.65</b>	
81	<b>R283-88</b>	283-88	Pin-Clevis	1	<b>2.30</b>	

All original equipment manufacturers names and part numbers are used for identification purposes only, and we are in no way implying that our products are original equipment parts. Prices subject to change without notice.



# Replaces Toro Reelmaster 5410-D Parts

Traction Unit

Console & Control Arm



Item No	R&R Part No.	OEM Part No.	Description	Qty Req	Price Each	Order Quantity
82	<b>R110-5340</b>	110-5340	Latch Assy	1	<b>19.55</b>	
83	<b>R3230-23</b>	3230-23, Mar-61	Bolt - 5/16-18x3/4 - Carriage	2	<b>0.70</b>	
84	<b>R110-0913</b>	110-0913	Control-Throttle	1	<b>45.20</b>	
<i>Tech Note: Fits 5510-5610 - 2006:</i>						
84	<b>R114-8886</b>	114-8886	Control-Throttle	1	<b>38.35</b>	
<i>Tech Note: Fits 5210-5410 - 2006 &amp; Up &amp; 5510-5610 - 2007 &amp; Up:</i>						
85	<b>R3296-12</b>	32127-20, 3296-12	Nut - 10-32 Nylon Lock	2	<b>0.55</b>	
86	<b>R3290-134</b>	3290-134	Screw - 10-24x5/8 Hh Ms	2	<b>0.29</b>	
87	<b>R108-7602</b>	108-7602	Arm Rest	1	<b>58.70</b>	
88	<b>R3258-166</b>	3258-166	Screw-Ph Rnd HD	2	<b>0.24</b>	
89	<b>R19H3130</b>	322-9, 3223-5	Bolt - Hex HD 5/16-18 x 1-3/4	1	<b>0.84</b>	

All original equipment manufacturers names and part numbers are used for identification purposes only, and we are in no way implying that our products are original equipment parts. Prices subject to change without notice.



# Replaces Toro Reelmaster 5410-D Parts

Traction Unit

Console & Control Arm



Item No	R&R Part No.	OEM Part No.	Description	Qty Req	Price Each	Order Quantity
90	<b>R453011</b>	01-166-0100, 01-166-0120, 01-166-0270, 01-166-0500, 01-166-0600, 01-166-0620, 132-4593, 2356-3, 237-12, 24-10-AD, 24-11-AD, 24-11-BD, 24-12-AD, 24-12-BD, 30-9310, 32-8190, 3256-24, 3256-3, 3256-36, 3256-4, 453011, 47-9950, 48-9220, 513458, 7-0052	Washer - Flat 3/8 SAE Y/Zinc	1	<b>0.11</b>	
91	<b>R106-4193</b>	106-4193	Washer - Finger, Spr	2	<b>3.45</b>	
92	<b>R93-5547</b>	93-5547	Bushing-Nylon	2	<b>4.70</b>	
92	<b>R106-4192</b>	106-4192	Spacer	1	<b>4.55</b>	
94	<b>R105-7507</b>	105-7507	Pivot - Joystick	1	<b>32.70</b>	
95	<b>R105-8289</b>	105-8289, 93-5509	Spring-Torsion	1	<b>9.55</b>	
96	<b>R3296-29</b>	1-804256, 3290-357, 3296-29, 915662P	Locknut - 5/16-18 ESNA	1	<b>2.95</b>	
97	<b>R106-4168-03</b>	105-8287-03, 106-4168-03	Bracket- Joystick	1	<b>23.90</b>	
97	<b>R115-5357-03</b>	115-5357-03	Bracket - Joystick	1	<b>22.10</b>	

All original equipment manufacturers names and part numbers are used for identification purposes only, and we are in no way implying that our products are original equipment parts. Prices subject to change without notice.



# Replaces Toro Reelmaster 5410-D Parts

*Traction Unit*

*Console & Control Arm*



Item No	R&R Part No.	OEM Part No.	Description	Qty Req	Price Each	Order Quantity
98	<b>R104-7201</b>	104-7201	Locknut - 1/4-20 ESNA Flanged	2	<b>0.62</b>	
99	<b>R112-9181</b>	106-4188-03, 112-9181	Plate-Boot	1	<b>2.95</b>	
100	<b>R3218-3</b>	01-191-0616, 22-13-AJKD, 3218-3, 915236P	Nut - 3/8-16 Jam	1	<b>0.39</b>	
101	<b>R105-8288</b>	105-8288	Rod-Joystick	1	<b>13.50</b>	
102	<b>R93-5961</b>	93-5961	Dust Guard - Shifter	1	<b>30.95</b>	
103	<b>R233-42</b>	1-603175, 120-9752, 233-42, 233-47	Knob	1	<b>6.80</b>	
104	<b>R218-578</b>	218-578, 95-2438	Fuse - 10 Amp	6	<b>1.45</b>	
105	<b>R110-5331</b>	110-5331	Spring - Compression	1	<b>11.55</b>	
106	<b>R2410-64</b>	2410-64	Plug-Button	1	<b>0.46</b>	
107	<b>R74-5950</b>	249-48, 74-5950	Latch - Swell	2	<b>13.15</b>	
108	<b>R150291</b>	32144-87	Screw - 8 x 1/2 Sheet Metal	4	<b>0.18</b>	
109	<b>R150812</b>	109102, 109355, 150812, 218-581	Fuse - 15 Amp	1	<b>2.45</b>	
110	<b>R94-6710</b>	94-6710	Fuse-Blade, 2 Amp	1	<b>2.35</b>	
111	<b>R85-4650</b>	85-4650	Fuse Holder Block	1	<b>10.25</b>	
112	<b>R32144-18</b>	32144-18	Screw - Hex HD	2	<b>1.90</b>	
113	<b>R110-0984</b>	110-0984	Decal-Console	1	<b>14.85</b>	

All original equipment manufacturers names and part numbers are used for identification purposes only, and we are in no way implying that our products are original equipment parts. Prices subject to change without notice.



# Replaces Toro Reelmaster 5410-D Parts

*Traction Unit*

*Console & Control Arm*



Item No	R&R Part No.	OEM Part No.	Description	Qty Req	Price Each	Order Quantity
114	<b>R110-0998</b>	110-0998	Decal-Panel, Contr	1	<b>21.75</b>	
115	<b>R106-4167</b>	106-4167	Joystick Bracket Assy	1	<b>102.95</b>	

All original equipment manufacturers names and part numbers are used for identification purposes only, and we are in no way implying that our products are original equipment parts. Prices subject to change without notice.