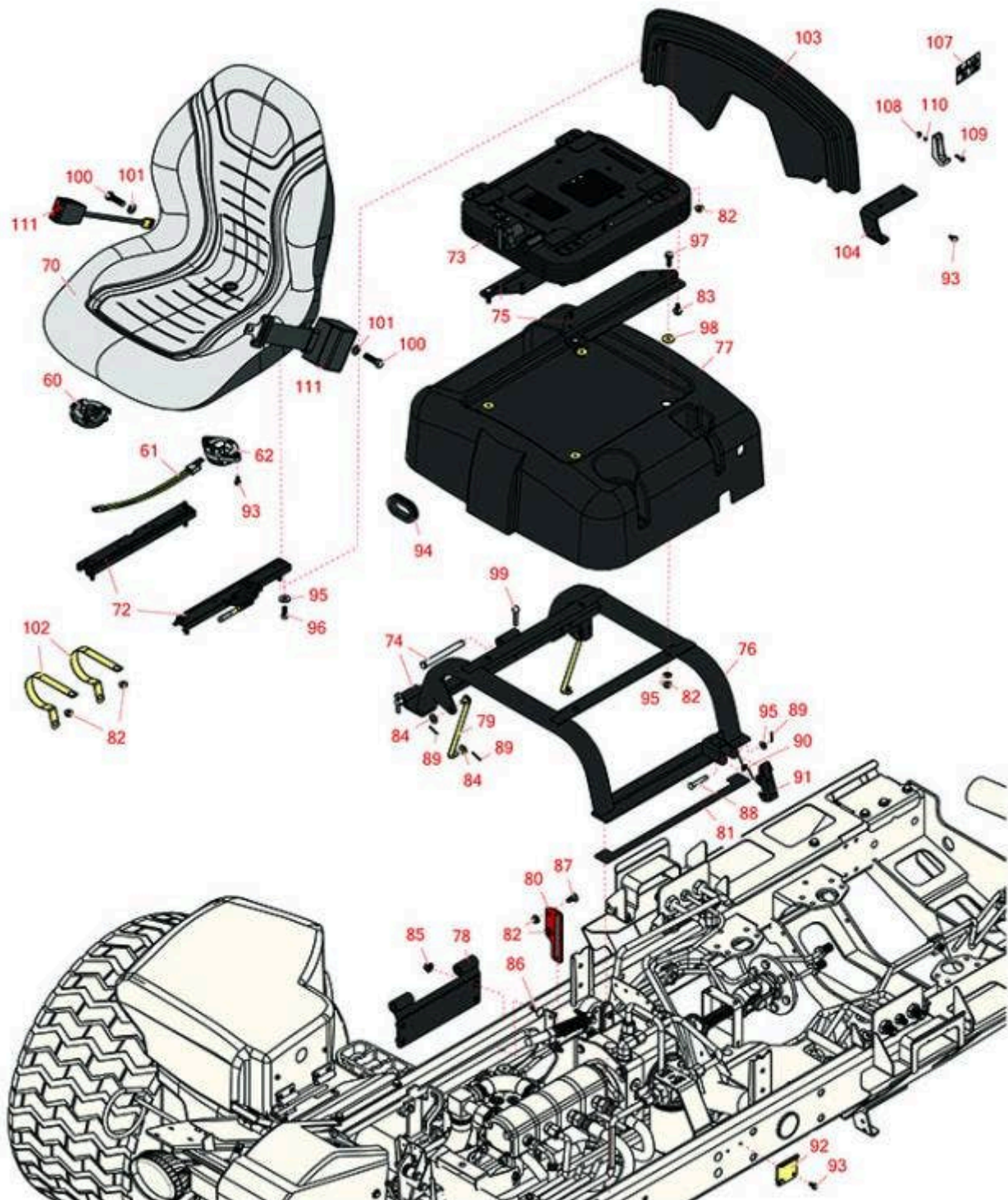




Replaces Toro Reelmaster 5010-H Parts

Traction Unit
Seat



All original equipment manufacturers names and part numbers are used for identification purposes only, and we are in no way implying that our products are original equipment parts. Prices subject to change without notice.



Replaces Toro Reelmaster 5010-H Parts

Traction Unit
Seat



Item No	R&R Part No.	OEM Part No.	Description	Qty Req	Price Each	Order Quantity
---------	--------------	--------------	-------------	---------	------------	----------------

Gauges and Controls

60	R151541	R&R ON, LY	Delta Seat Switch - Twist Mount 1 Pole Normally Open	1	17.90	
61	R108-8657	108-8657	Harness-Wire, Seat	1	22.10	
61	R150229	82-2190	Switch - Operator Presence	1	20.55	
62	R92-6282	62-6282, 92-6282	Switch - Kill - Seat	1	18.95	

Other Parts Available

70	RMXB200GY	100-3187, 104-4620, 104-7620, 21-4880, 351-59, 351-76, 49-8130, 63-9410, 66-5400, 75-9190, 750105, 92-6280, MXB200GY	Milsco Seat XB200 - Grey	1	191.30	
----	------------------	--	--------------------------	---	---------------	--

Tech Note: This seat will not accept seat belts:

70	R120-5179	120-5179	Large Seat Cover - Gray	1	47.05	
72	R150224	133-8896, 92-8990, 92-8990/92-8991, 92-8991	Adjusters - Seat (Set of 2)	1	145.95	
73	R110-8851	110-8851	Mechanical Suspension - Seat	1	600.45	
73	R108-1695	108-1695	Air Ride Suspension - Seat	1	855.65	
74	R283-83	283-83, 42194, 93-5343	Pin - Clevis	2	5.15	

All original equipment manufacturers names and part numbers are used for identification purposes only, and we are in no way implying that our products are original equipment parts. Prices subject to change without notice.



Replaces Toro Reelmaster 5010-H Parts

*Traction Unit
Seat*



Item No	R&R Part No.	OEM Part No.	Description	Qty Req	Price Each	Order Quantity
75	R108-6590-03	108-6590-03	Seat Bracket - Lower	2	27.90	
76	R108-7577-03	108-7577-03	Seat Base Assy	1	289.85	
77	R108-1757	108-1757	Cover-Seat Base	1	179.65	
78	R108-7582-03	108-7582-03	Pivot Plate Assy	1	52.70	
79	R98-0917	98-0917	Rod-Prop	2	35.65	
80	R108-7584-01	108-7584-01	Plate-Guide, Rod	1	6.90	
81	R110-5255	110-5255	Bumper - Base - Seat	2	19.10	
82	R104-8300	104-8300, 104-8300 , 119-4041	Locknut - 5/16-18 Flanged Y/Zinc	10	0.47	
83	R33114-016	33114-016, 42-9230, 42-9270, 48-7680, 48-7690, 48-7700	Bolt - Hx HD 8mm x 1.25 x 15	4	0.40	

All original equipment manufacturers names and part numbers are used for identification purposes only, and we are in no way implying that our products are original equipment parts. Prices subject to change without notice.



Replaces Toro Reelmaster 5010-H Parts

Traction Unit
Seat



Item No	R&R Part No.	OEM Part No.	Description	Qty Req	Price Each	Order Quantity
84	R453011	01-166-0100, 01-166-0120, 01-166-0270, 01-166-0500, 01-166-0600, 01-166-0620, 132-4593, 2356-3, 237-12, 24-10-AD, 24-11-AD, 24-11-BD, 24-12-AD, 24-12-BD, 30-9310, 32-8190, 3256-24, 3256-3, 3256-36, 3256-4, 453011, 47-9950, 48-9220, 513458, 7-0052	Washer - Flat 3/8 SAE Y/Zinc	4	0.11	
85	R104-8301	104-8301, 104-9301, 109-6658, 133-7570	Locknut - 3/8-16 Nylon Flanged	4	0.84	
86	R3231-27	3231-27	Bolt - Carriage 3/8-16 x 7/8	4	0.53	
87	R3230-1	01-173-0506, 3230-1, 3230-20, 900037P	Bolt - Carriage 5/16-18 x 3/4	2	0.62	
88	R94-3829	94-3829	Pin - Clevis	1	2.55	

All original equipment manufacturers names and part numbers are used for identification purposes only, and we are in no way implying that our products are original equipment parts. Prices subject to change without notice.



Replaces Toro Reelmaster 5010-H Parts

Traction Unit
Seat



Item No	R&R Part No.	OEM Part No.	Description	Qty Req	Price Each	Order Quantity
89	R1023-4	01-151-0150, 1023-4, 19-6220, 214-14, 215-54, 28-9-D, 3272-4, 3272-6, 513567, 932008P	Pin - Cotter 3/32 x 3/4	1	0.23	
90	R104-4821	104-4821	Spring - Torsion - Seat Base	1	3.65	
91	R110-8971	110-8971	Latch	1	9.85	
92	R110-8972	110-8972	Hook-Latch	1	5.35	
93	R12-3270	12-3270, 30-0700, 32104-17, 9266714, Aug-80	Bolt - Hex Washer 1/4-20 x 1/2	2	1.45	
94	R240-12	240-12	Grommet	1	13.10	
95	R453009	01-166-0400, 24-10-BD, 24-9-AD, 32-9650, 3256-2, 3256-23, 3256-3, 3256-67, 3290-217, 3556-3, 4-2390, 7-0152	Washer - Flat 5/16 SAE	9	0.13	
96	R434024	3274-12	Bolt - Soc HD Cap 5/16-18 x 3/4	4	1.25	
97	R3234-29	3234-17, 3234-29	Bolt - 5/16-18x1 Serr Hex	4	1.65	
98	R366653	71-9310	Spacer	4	3.85	

All original equipment manufacturers names and part numbers are used for identification purposes only, and we are in no way implying that our products are original equipment parts. Prices subject to change without notice.



Replaces Toro Reelmaster 5010-H Parts

Traction Unit
Seat



Item No	R&R Part No.	OEM Part No.	Description	Qty Req	Price Each	Order Quantity
99	R3272-11	01-151-0010, 01-151-0040, 28-18-D, 28-28-D, 3211-72, 3272-11	Pin - Cotter	2	0.70	
100	R3212-4	3212-3, 3212-4	Bolt - Hex HD 7/16-20 x 1 GR5	2	2.45	
101	R3253-6	01-166-0710, 23-12-GD, 3253-6, 59-7590	Washer - Lock 7/16 Zinc	2	0.29	
102	R2412-133	01-651-0160, 2412-133	Clamp	2	6.45	
103	R108-7587	108-7587	Saddle-Hood	1	91.50	
104	R110-0979-03	110-0979-03	Bracket-Deflector	2	22.80	
107	R106-6754	106-6754	Decal - Danger	1	5.85	
108	R3296-12	32127-20, 3296-12	Nut - 10-32 Nylon Lock	4	0.55	
109	R32105-13	32105-13	Screw - Hx Was HD 10-32 x 3/4	4	1.05	
110	R3256-14	24-7-BD, 32125-2, 3256-14, 3256-51, 51-2170	Washer - 10 Flat	4	0.34	
111	R150848	100-4928, 110-0413, 110-9720, 95-8910	Belt-Seat	1	194.60	

All original equipment manufacturers names and part numbers are used for identification purposes only, and we are in no way implying that our products are original equipment parts. Prices subject to change without notice.