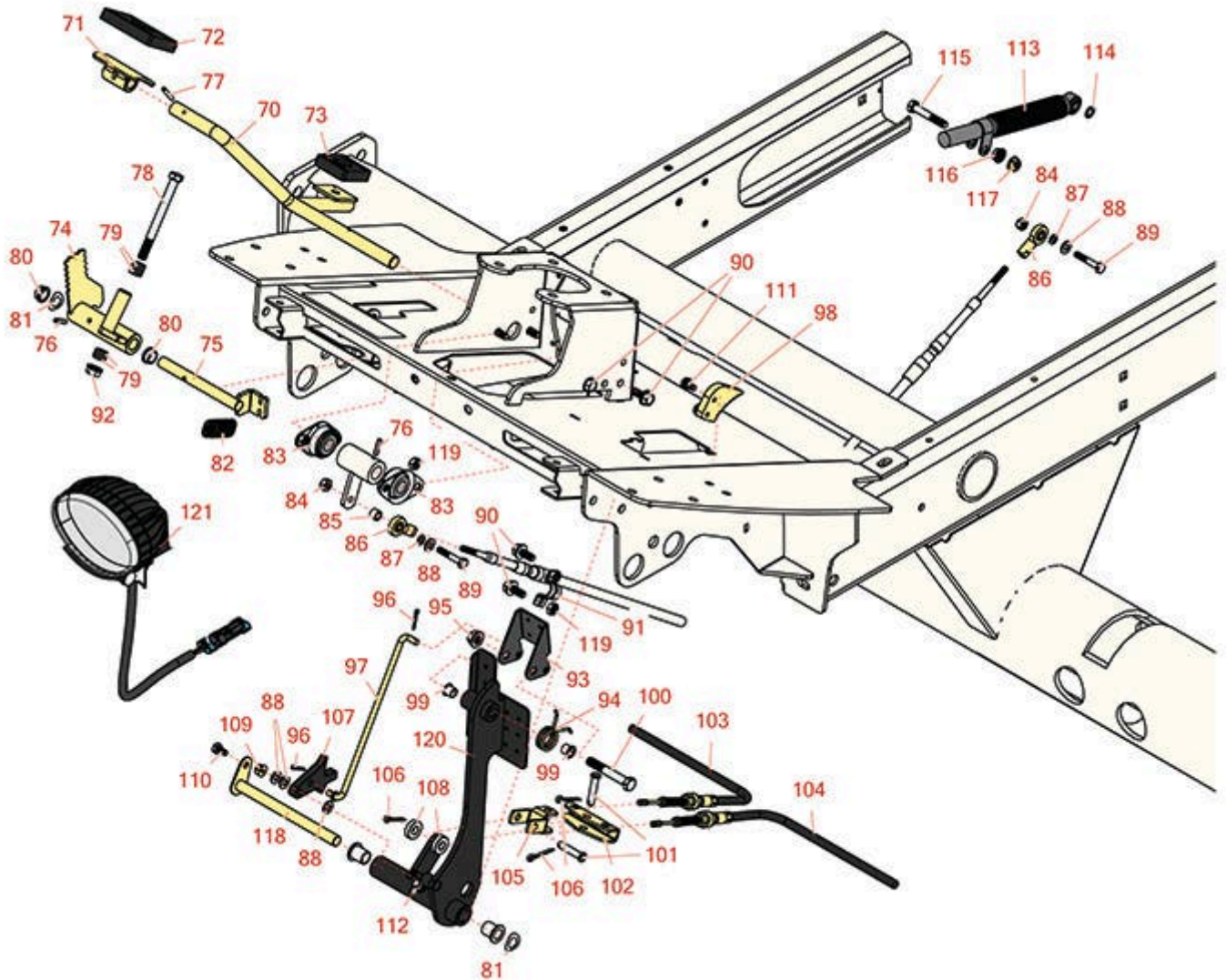




Replaces Toro Reelmaster 5010-H Parts

Traction Unit

Traction & Brake Pedal



All original equipment manufacturers names and part numbers are used for identification purposes only, and we are in no way implying that our products are original equipment parts. Prices subject to change without notice.



Replaces Toro Reelmaster 5010-H Parts

Traction Unit

Traction & Brake Pedal



Item No	R&R Part No.	OEM Part No.	Description	Qty Req	Price Each	Order Quantity
---------	--------------	--------------	-------------	---------	------------	----------------

Other Parts Available

70	R106-3840	106-3840	Pedal-Traction	1	48.60	
71	R49-6440-03	117-9507, 49-6440, 49-6440-03	Pedal - Forward Assy	1	34.80	
72	R74-9100	74-9100	Rubber Foot Pad - Forward	1	10.95	
73	R74-9110	74-9110	Rubber Foot Pad - Reverse	1	9.30	
74	R117-8066	117-8066	Mow-Stop	1	63.60	
75	R106-3731	106-3731	Rod-Pivot	1	21.80	
76	R32121-6	32121-6	Pin - Roll 3/16 x 1-1/4	2	0.46	
77	R32121-45	32121-113, 32121-45, 32121-92	Pin - Spring Roll 5/32 x 1	1	0.24	
78	R323-17	323-17	Bolt - Hex HD 3/8-16 x 4	1	3.25	
79	R62-4420	62-4420	Washer	8	4.35	
80	R256-156	256-156, 256-219	Bushing - Flanged	2	6.80	
81	R110-8982	110-8982	Washer - Spring	2	2.85	
82	R92-7305	92-7305	Spring-Extension	1	5.70	
83	R256-236	256-236, Oct-40	Bearing - 5/8 Flanged 2 Bolt	2	23.85	

All original equipment manufacturers names and part numbers are used for identification purposes only, and we are in no way implying that our products are original equipment parts. Prices subject to change without notice.



Replaces Toro Reelmaster 5010-H Parts

Traction Unit

Traction & Brake Pedal



Item No	R&R Part No.	OEM Part No.	Description	Qty Req	Price Each	Order Quantity
84	R301504	2296-42, 301504, 32127-24, 32128-33, 32146-17, 3296-16, 3296-42, 3296-42 , 915661P	Locknut - ESNA 1/4-20	2	0.18	
85	R66-8010	66-8010	Spacer	1	3.20	
86	R2411-41	2411-41	Rod End - Ball Joint	2	22.35	
87	R24M7139	24M7139, 3256-16, 33093-00, 43-5930	Washer - Flat 6mm	2	0.70	
88	R3256-22	24-9-BD, 3-1032, 3256-1, 3256-22, 93-0954, 93-0989	Washer - Flat 1/4 Yellow	4	0.12	
89	R400116	20-7-AD, 30-9680, 321-69, 321-9, 3222-3, 400116	Bolt - Hex HD 1/4-20 x 1-1/2	2	0.65	
90	R3234-5	3234-5, 62-3310	Bolt - 5/16-18x3/4 Hx Ser Was HD	4	0.74	
91	R93-2092	93-2092	Clamp - Cable	1	3.95	
92	R3296-39	32127-25, 32128-36, 3290-357, 3296-17, 3296-22, 3296-39, 915663P, 99-7443	Locknut - 3/8-16 Nylon	1	1.40	

All original equipment manufacturers names and part numbers are used for identification purposes only, and we are in no way implying that our products are original equipment parts. Prices subject to change without notice.



Replaces Toro Reelmaster 5010-H Parts

Traction Unit

Traction & Brake Pedal



Item No	R&R Part No.	OEM Part No.	Description	Qty Req	Price Each	Order Quantity
93	R99-7963-03	99-7963-03	Pedal - Park	1	14.85	
94	R99-7140	99-7140	Spring-Torsion	1	12.30	
95	R104-8301	104-8301, 104-9301, 109-6658, 133-7570	Locknut - 3/8-16 Nylon Flanged	1	0.84	
96	R1023-4	01-151-0150, 1023-4, 19-6220, 214-14, 215-54, 28-9-D, 3272-4, 3272-6, 513567, 932008P	Pin - Cotter 3/32 x 3/4	1	0.23	
97	R115-0129	115-0129	Rod-Pawl - Brake	1	20.45	
98	R99-7214	99-7214	Pawl - Brake	1	21.75	
99	R52-2891	52-2891	Bushing- Nylon	1	2.35	
100	R101526	01-150-0970, 01-178-0620, 101526, 20-53-AGD, 321-11, 3224-8, 323-11, 323-12, 323-31, 323-4, 323-47	Bolt - Hex HD 3/8-16 x 2-1/2 GR5	1	0.91	
101	R283-14	283-14	Pin - Clevis	2	3.65	
102	R115-8059	115-8059	Yoke - Cable	1	8.10	
103	R117-0106	117-0106	Cable - Brake - RH	1	72.45	

Tech Note: Fits 2010 & Up:

All original equipment manufacturers names and part numbers are used for identification purposes only, and we are in no way implying that our products are original equipment parts. Prices subject to change without notice.



Replaces Toro Reelmaster 5010-H Parts

Traction Unit

Traction & Brake Pedal



Item No	R&R Part No.	OEM Part No.	Description	Qty Req	Price Each	Order Quantity
104	R117-0107	117-0107	Cable - Brake - LH	1	72.45	
<i>Tech Note: Fits 2010 & Up:</i>						
105	R115-8060	115-8060	Clevis - Double	1	11.30	
106	R3272-10	01-151-0120, 105-7512, 3272-10, N/A	Pin - Cotter 1/8 x 3/4	2	0.13	
107	R117-0238	117-0238	Detent	1	8.10	
108	R5-0652	5-0652	Spacer	2	4.80	
109	R104-7201	104-7201	Locknut - 1/4-20 ESNA Flanged	1	0.62	
110	R300403	32144-4, 32144-63, 49-2040	Bolt - Hex HD 1/4-20 x 1/2	1	0.35	
111	R3234-13	3234-13, 960151P	Bolt - Flanged Hex 1/4-20	2	0.77	
112	R302-60	302-60	Zerk - Grease 90 Deg.	1	0.68	
113	R76-8870	105-7280, 76-8870	Lever Damper Assy	1	97.25	
114	R32151-72	32151-72	Ring-Retaining	1	1.60	
115	R322-10	20-30-AD, 24-7180, 322-10, 322-10, 3223-6, 513347	Bolt - Hex HD 5/16-18 x 2	1	0.65	
116	R445722	30-8980, 32128-2, 32128-20, 32128-20, 445722	Nut - Serrated Washer	1	0.66	

All original equipment manufacturers names and part numbers are used for identification purposes only, and we are in no way implying that our products are original equipment parts. Prices subject to change without notice.



Replaces Toro Reelmaster 5010-H Parts

Traction Unit

Traction & Brake Pedal



Item No	R&R Part No.	OEM Part No.	Description	Qty Req	Price Each	Order Quantity
117	R104-8300	104-8300, 104-8300 , 119-4041	Locknut - 5/16-18 Flanged Y/Zinc	1	0.47	
118	R104-7179	104-7179, 99-7169	Pivot-Pedal	1	19.90	
119	R3296-29	1-804256, 3290-357, 3296-29, 915662P	Locknut - 5/16-18 ESNA	6	2.95	
120	R115-0120-03	115-0120-03	Pedal - Brake	1	90.60	
121	R151712	108-6471, 112-9177, 94-9024	LED Oval Work Light - 12 LED 30w	2	78.25	

All original equipment manufacturers names and part numbers are used for identification purposes only, and we are in no way implying that our products are original equipment parts. Prices subject to change without notice.