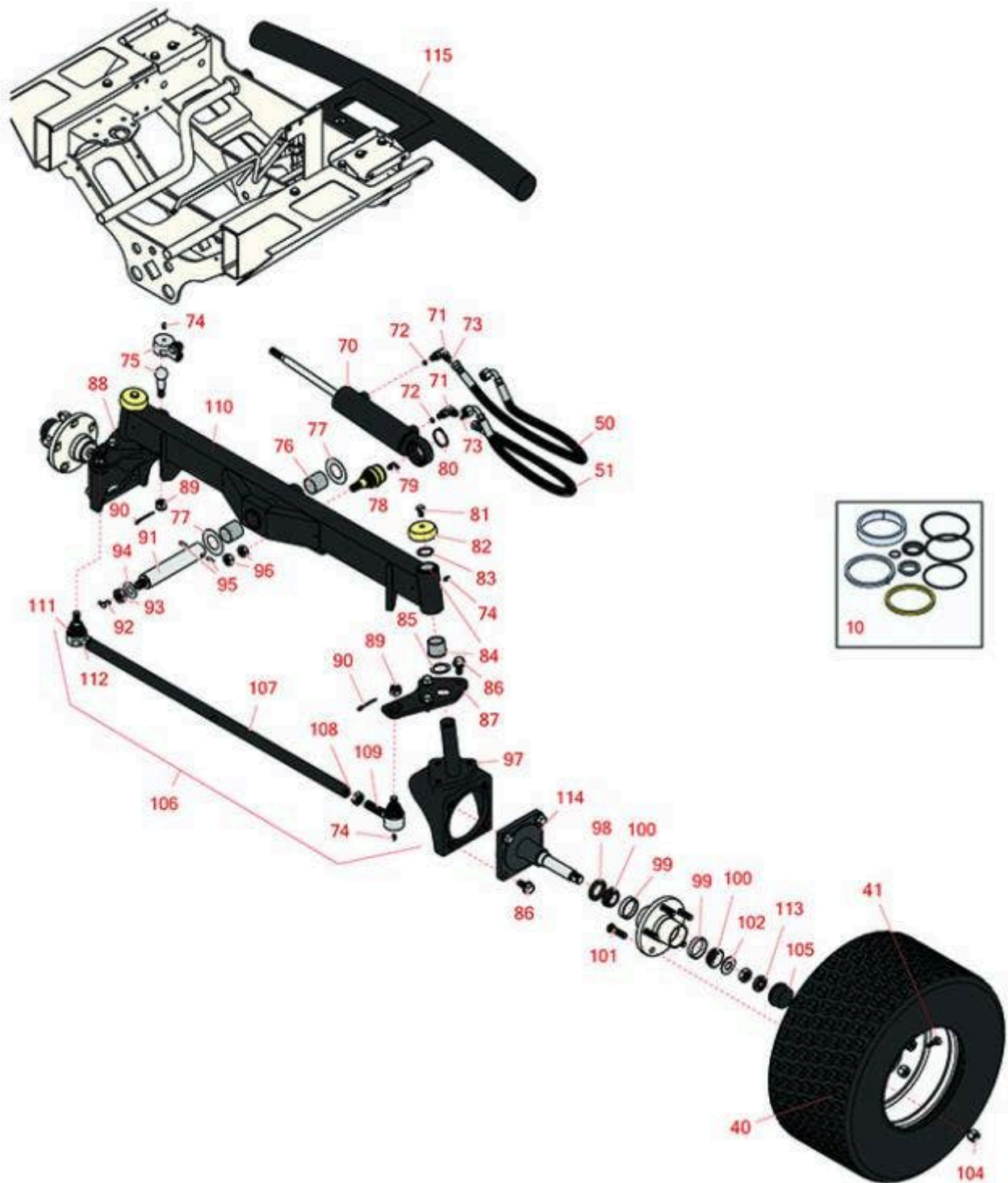




Replaces Toro Reelmaster 5010-H Parts

Traction Unit
Rear Axle



All original equipment manufacturers names and part numbers are used for identification purposes only, and we are in no way implying that our products are original equipment parts. Prices subject to change without notice.



Replaces Toro Reelmaster 5010-H Parts

Traction Unit
Rear Axle



Item No	R&R Part No.	OEM Part No.	Description	Qty Req	Price Each	Order Quantity
Overhaul kit						
10	R110-6461	110-6461	Seal Kit -Fits R107-4458 Cylinder	1	75.50	
Tires						
40	RCT511257		Tire - 20x12.00-10 Nhs (4 Ply) Carlisle Turf Master	2	105.50	
40	RCT575315	117-5125	Tire - 20x12.00-10 Nhs (4 Ply) Carlisle Turf Trac R/S	2	103.10	
41	R232-27	232-27, 232-31	Stem - Valve w/ Cap	2	4.15	
Hoses						
50	R110-0973	110-0973	Hose Assy	1	48.70	
51	R110-0928	110-0928	Hydraulic Hose Assy	1	50.40	
Other Parts Available						
70	R107-4458	107-4458, 110-9035	Hydraulic Cylinder	1	366.50	
71	R340-132	340-132	Hydraulic Fitting - 90 Deg	2	14.40	
72	R237-22	107-8844, 237-22, 237-78	O-Ring	2	0.62	
73	R237-21	237-21, 327-21	O-Ring	2	0.47	

All original equipment manufacturers names and part numbers are used for identification purposes only, and we are in no way implying that our products are original equipment parts. Prices subject to change without notice.



Replaces Toro Reelmaster 5010-H Parts

*Traction Unit
Rear Axle*



Item No	R&R Part No.	OEM Part No.	Description	Qty Req	Price Each	Order Quantity
74	R302-5	21-6010, 302-11, 302-37, 302-47, 302-5, 302-57, 302-58, 302-6, 31-0300, 32-9660, 60-0800, 62-3880, 92-4181	Fitting - Grease	5	0.27	
75	R106-6895-03	106-6895-03, 69-9810, 69-9810-03	Ball Joint Assy	1	141.45	
76	R99-6964	99-6964	Bushing - Axle	2	2.70	
77	R99-8432	99-8432	Washer - Thrust	2	5.85	
78	R106-6774	106-6774, 92-5838, 92-5838-01	Ball Joint	1	48.65	
79	R302-40	302-13, 302-40	Fitting - Grease	1	0.82	
80	R32151-104	32151-104	Ring - Retaining, Ex	1	4.35	
81	R3234-1	321-11, 3234-1	Bolt - Flanged Serrated Hex HD 3/8-16 x 3/4	2	1.45	
82	R69-8890	69-8890	Cap-Spindle	2	8.45	
83	R32151-77	32151-77	Ring - Retaining	2	3.65	
84	R104-0015	104-0015, 104-8339	Bushing - Flanged	4	5.15	
85	R76-2980	76-2980	Washer - Thrust	2	4.55	

All original equipment manufacturers names and part numbers are used for identification purposes only, and we are in no way implying that our products are original equipment parts. Prices subject to change without notice.



Replaces Toro Reelmaster 5010-H Parts

*Traction Unit
Rear Axle*



Item No	R&R Part No.	OEM Part No.	Description	Qty Req	Price Each	Order Quantity
86	R3234-6	32144-13, 3234-6, 3434-6	Bolt - Hex HD Flanged	14	7.95	
87	R110-5297-03	110-5297-03	Link - Drag LH	1	55.30	
88	R110-5295-03	110-5295-03	Link - Drag - RH	1	55.30	
89	R105-7941	105-7941	Nut - Hex - Slotted	3	10.95	
90	R3272-12	01-151-0090, 28-19-D, 3272-12	Pin - Cotter 1/8 x 1-1/4	5	0.11	
91	R140-6101	140-6101, 98-8173, 98-8173-03	Pivot Pin - Rear Lift Arm	1	55.95	
92	R323016	302-33, 323016	Zerk - Grease	1	0.80	
93	R444742	32146-20, 9150906, 915090P	Nut - 3/4-16 Gripco Centerlock	1	2.30	
94	R71-4540	71-4540	Washer - Thrust	1	2.40	
95	R32121-32	01-153-0180, 32121-32	Pin - Roll 1/4 x 1-3/4	1	0.69	
96	R443828	01-191-1018, 3214, 3220-6, 443828, 915089P	Nut - 5/8-18 Hex	2	0.62	
97	R107-4517-03	107-4517-03	Housing - Motor	2	136.65	
98	R112-1690	112-1690	Seal - Hub	2	6.80	

All original equipment manufacturers names and part numbers are used for identification purposes only, and we are in no way implying that our products are original equipment parts. Prices subject to change without notice.



Replaces Toro Reelmaster 5010-H Parts

*Traction Unit
Rear Axle*



Item No	R&R Part No.	OEM Part No.	Description	Qty Req	Price Each	Order Quantity
99	R254-72	01-103-0050, 01-103-0120, 01-103-0140, 1-543508, 254-71, 254-72, 40439, 62-3340, 99-4511	Cup - Bearing	4	3.85	
100	R254-94	1-543509, 254-94, 32-8090, 32-8240, 32-9640, 40440, 62-3330	Tapered Bearing Cone	4	7.15	
101	R114-3918	1-633926, 114-3918	Stud - Wheel	10	2.55	
102	R117-8259	117-8259	Washer-Spindle	2	2.30	
104	R242-50	242-50	Nut - 1/2-20 Wheel	10	1.50	
105	R241-119	01-269-0070, 01-269-0280, 01-286-0040, 241-119, 30-9930, 40438	Cap-Dust	2	7.25	
106	R110-5334-03	110-5334-03	Tie Rod Assy	1	264.70	
107	R110-5335	110-5335	Tie Rod	1	88.15	
108	R110-5337	110-5337	Nut - Jam 11/16-18 LH	2	5.45	
109	R2411-46	2411-40, 2411-46, 2411-46-03	End - Tie Rod - LH	2	60.30	
110	R107-4546-03	107-4546-03	Axle Assy	1	540.80	

All original equipment manufacturers names and part numbers are used for identification purposes only, and we are in no way implying that our products are original equipment parts. Prices subject to change without notice.



Replaces Toro Reelmaster 5010-H Parts

Traction Unit

Rear Axle



Item No	R&R Part No.	OEM Part No.	Description	Qty Req	Price Each	Order Quantity
111	R71-4740-03	2411-45, 71-4740, 71-4740-03	End - Tie Rod - RH	1	89.85	
112	R84-5300	84-5300	Nut - Jam 11/16-18 RH	1	5.45	
113	R93-0307	93-0307	Nut - Lock Retainer	2	1.90	
114	R117-8958	117-8958	Spindle	2	119.65	
115	R110-8951-03	110-8951-03	Bumper Assy	1	141.85	

All original equipment manufacturers names and part numbers are used for identification purposes only, and we are in no way implying that our products are original equipment parts. Prices subject to change without notice.