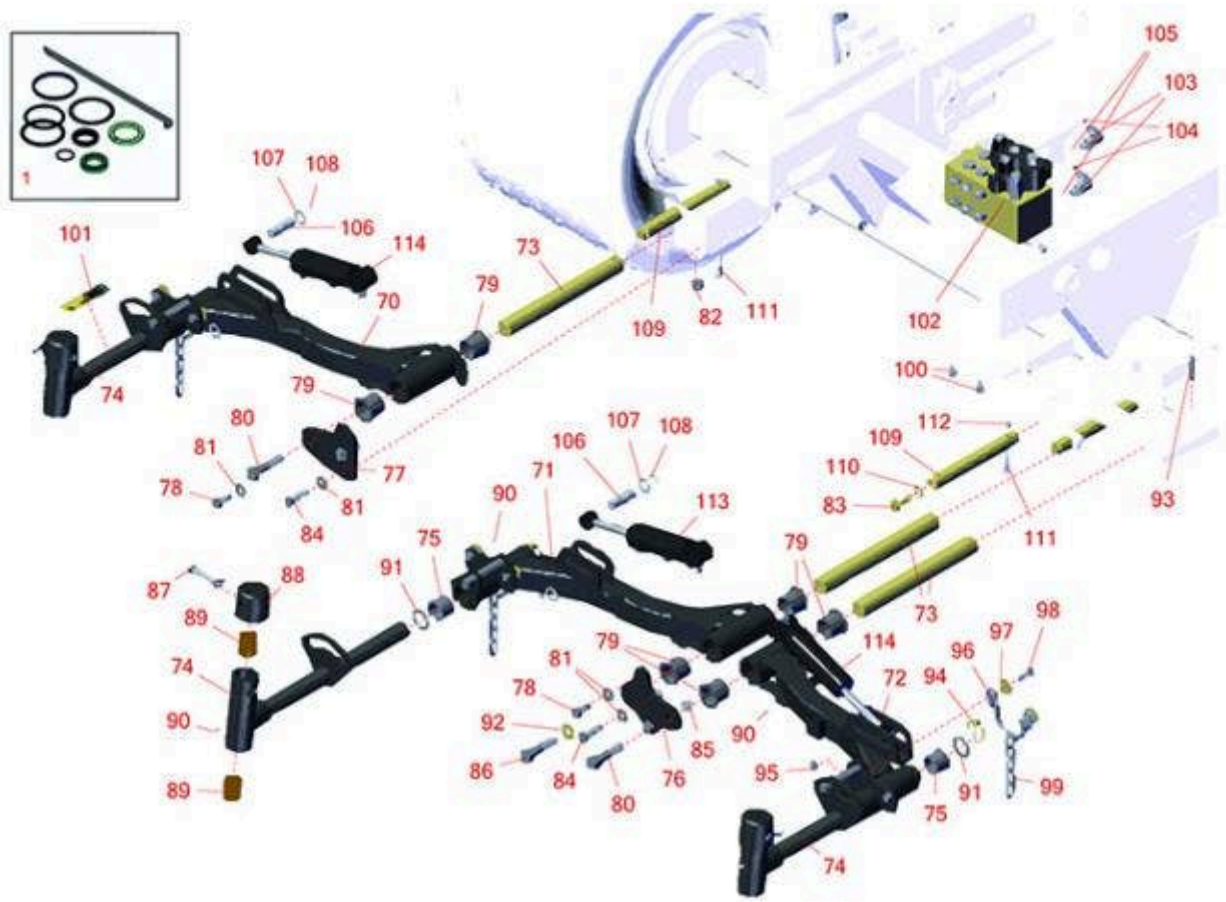




Replaces Toro Reelmaster 5010-H Parts

Traction Unit
Front Lift Arm



All original equipment manufacturers names and part numbers are used for identification purposes only, and we are in no way implying that our products are original equipment parts. Prices subject to change without notice.



Replaces Toro Reelmaster 5010-H Parts

Traction Unit
Front Lift Arm



Item No	R&R Part No.	OEM Part No.	Description	Qty Req	Price Each	Order Quantity
Overhaul Kit						
1	R133-2900	133-2900	Seal Kit - Fits R119-6987 & R119-6988 Cylinders	2	89.40	
Other Parts Available						
70	R110-0995	110-0995	Lift Arm - No. 5	1	318.30	
71	R110-0991	110-0991	Lift Arm - No. 1	1	311.50	
72	R114-8874	114-8874	Lift Arm - No. 4	1	294.05	
73	R117-0208	117-0208	Shaft- Pivot - Lift Arm	1	75.85	
74	R107-2052	107-2052, 138-1248	Pivot Yoke Assy	3	250.95	
75	R104-0015	104-0015, 104-8339	Bushing - Flanged	4	5.15	
76	R117-5154-01	117-5154-01	Plate-Bridge 1 and 4	1	25.10	
77	R117-5153-01	117-5153-01	Plate-Bridge 5	1	24.45	
78	R325-5	01-150-0250, 01-178-0810, 19-8000, 20-86-AGD, 3226-1, 325-5, 513375	Bolt - Hex HD 1/2-13 x 1-1/4	2	0.83	
79	R69-6470	69-6470	Bushing - Flanged	6	6.15	
80	R3234-27	3234-27	Bolt - 1/2-13 x 2 Hex	3	5.35	
81	R87-7270-01	87-7270, 87-7270-01	Washer - Flat 1/2	2	0.29	

All original equipment manufacturers names and part numbers are used for identification purposes only, and we are in no way implying that our products are original equipment parts. Prices subject to change without notice.



Replaces Toro Reelmaster 5010-H Parts

Traction Unit
Front Lift Arm



Item No	R&R Part No.	OEM Part No.	Description	Qty Req	Price Each	Order Quantity
82	R301504	2296-42, 301504, 32127-24, 32128-33, 32146-17, 3296-16, 3296-42, 3296-42 , 915661P	Locknut - ESNA 1/4-20	2	0.18	
83	R3234-38	3234-38	Bolt - Flanged Hex 1/2-13 x 1-1/4	1	3.55	
84	R325-7	01-150-0380, 01-178-0814, 3226-3, 325-7, 48-9490	Bolt - 1/2-13 x 1 3/4 Hex HD Gr 5	1	0.84	
85	R32128-23	32128-23, 3218-23, 99-5107	Nut - Lock Hex Flanged 1/2-13	4	1.45	
86	R327-7	01-150-0700, 01-150-0710, 01-178-1020, 20-125-AGD, 20-126-AGD, 327-7	Bolt - Hx HD	3	10.95	
87	R107-7400	107-7400	Pin - Lynch	3	6.95	
88	R107-4027	107-4027	Cap - Pivot Yoke	3	14.25	
89	R121-3187	121-3187	Bushing	6	6.50	
89	R256-254	256-254	Bushing 1-1/8 x 1.375 x 1.5	6	5.15	

All original equipment manufacturers names and part numbers are used for identification purposes only, and we are in no way implying that our products are original equipment parts. Prices subject to change without notice.



Replaces Toro Reelmaster 5010-H Parts

Traction Unit
Front Lift Arm



Item No	R&R Part No.	OEM Part No.	Description	Qty Req	Price Each	Order Quantity
90	R302-5	21-6010, 302-11, 302-37, 302-47, 302-5, 302-57, 302-58, 302-6, 31-0300, 32-9660, 60-0800, 62-3880, 92-4181	Fitting - Grease	5	0.27	
91	R76-2980	76-2980	Washer - Thrust	6	4.55	
92	R453020		Washer - 5/8 SAE Flat Z	3	0.29	
93	R32121-122	01-153-0140, 32121-122	Pin - Roll 1/2 x 2	3	1.50	
94	R92-1298	92-1298	Pin - Klik	3	2.45	
95	R104-8301	104-8301, 104-9301, 109-6658, 133-7570	Locknut - 3/8-16 Nylon Flanged	6	0.84	
96	R110-0922	110-0922	Hoop - Chain	3	8.35	
97	R63-8410	53-6380, 63-4810, 63-8410	Washer - Isolator Bushing	6	0.77	
98	R400264	01-150-0180, 01-178-0610, 20-48-AD, 20-48-AGD, 32-9160, 3224-3, 323-29, 323-7, 400264, 908035P	Bolt - Hex HD 3/8-16 x 1-1/4	6	0.40	
99	R84-2451	84-2451	Chain - Straight 5	3	4.75	

All original equipment manufacturers names and part numbers are used for identification purposes only, and we are in no way implying that our products are original equipment parts. Prices subject to change without notice.



Replaces Toro Reelmaster 5010-H Parts

*Traction Unit
Front Lift Arm*



Item No	R&R Part No.	OEM Part No.	Description	Qty Req	Price Each	Order Quantity
100	R3234-14	3234-14, 3234-23	Bolt - Hex Serrated Washer HD	4	0.83	
101	R110-9642	110-9642	Decal	1	8.70	
102	R105-7577	105-7577	Manifold Assy - Lift Blocks	1	1845.95	
103	R340-18	340-18	Hydraulic Fitting	2	20.95	
104	R237-22	107-8844, 237-22, 237-78	O-Ring	4	0.62	
105	R237-79	237-79	O-Ring	4	1.50	
106	R104-0046	104-0046	Pin - Slide - Cylinder	3	7.15	
107	R3-6498	3--6498, 3-6498, 47-8270	Washer - Thrust	6	4.10	
108	R32120-93	32120-93	Snap Ring - HD	6	1.20	
109	R117-0148	117-0148	Pin - Hyd Cyl	3	29.30	
110	R453017	01-166-0050, 01-166-0240, 01-166-0800, 24-13-AD, 24-14-AD, 32-8110, 3256-26, 3256-6, 453017, 69-8980, 87-7270	Washer - Flat 1/2	3	0.28	

All original equipment manufacturers names and part numbers are used for identification purposes only, and we are in no way implying that our products are original equipment parts. Prices subject to change without notice.



Replaces Toro Reelmaster 5010-H Parts

Traction Unit
Front Lift Arm



Item No	R&R Part No.	OEM Part No.	Description	Qty Req	Price Each	Order Quantity
111	R323-9	01-150-0190, 01-150-1540, 01-178-0614, 107229, 20-50-AD, 20-50-AGD, 30-9430, 32105-4, 3224-5, 323-9, 513363, 513364, 5377, 908037P	Bolt - Hex HD 3/8-16 x 1-3/4	3	0.91	
112	R3296-59	3296-59	Locknut - 3/8-16 Nylon Jam	3	0.65	
113	R119-6988	119-6988	Hydraulic Cylinder	1	349.60	
114	R119-6987	119-6987	Hyd Cylinder Assy	2	253.95	

All original equipment manufacturers names and part numbers are used for identification purposes only, and we are in no way implying that our products are original equipment parts. Prices subject to change without notice.