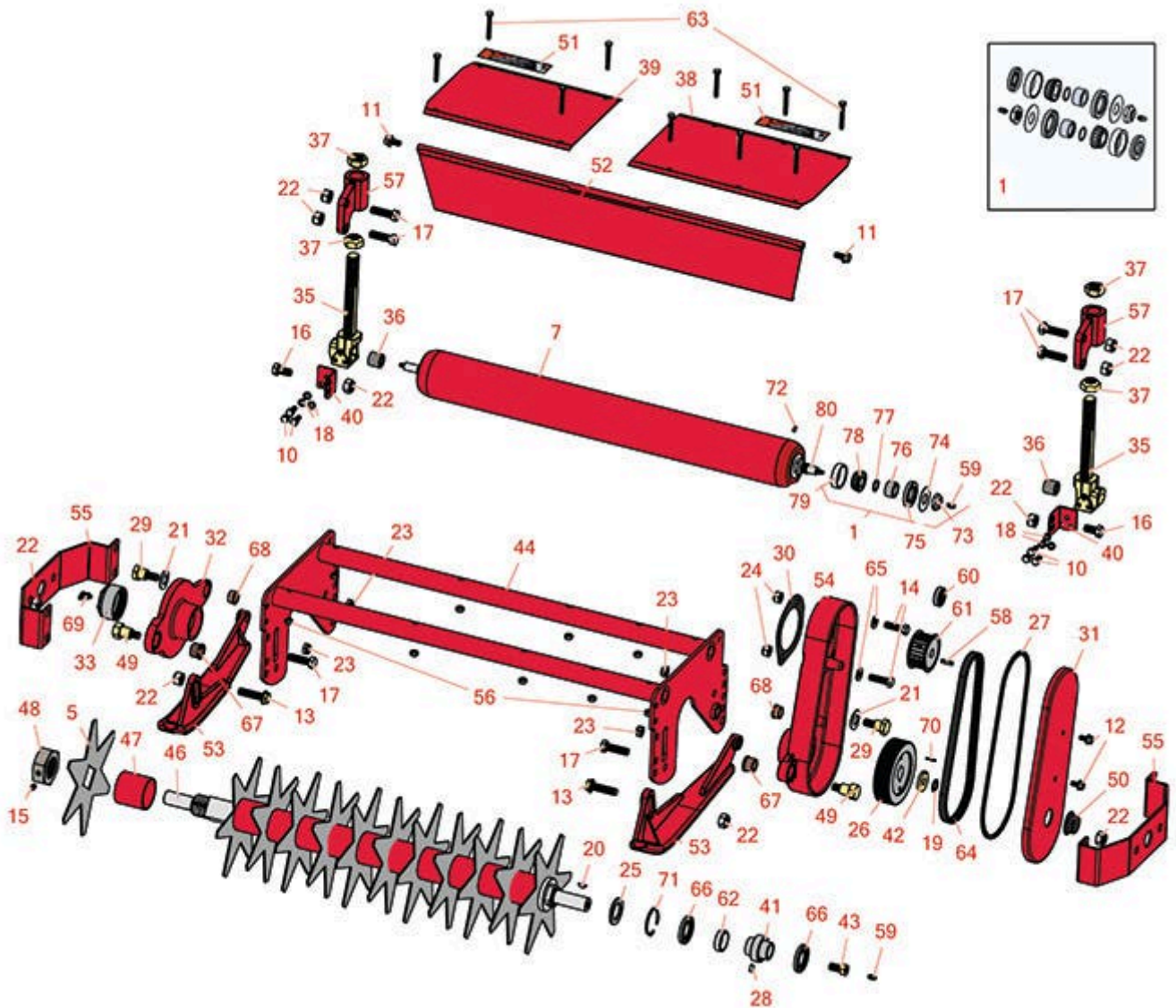




# Replaces Toro Reelmaster 450-D Parts

Verti-Cut Unit

Verti-Cut Reel & Frame



All original equipment manufacturers names and part numbers are used for identification purposes only, and we are in no way implying that our products are original equipment parts. Prices subject to change without notice.



# Replaces Toro Reelmaster 450-D Parts

Verti-Cut Unit

Verti-Cut Reel & Frame



Item No	R&R Part No.	OEM Part No.	Description	Qty Req	Price Each	Order Quantity
---------	--------------	--------------	-------------	---------	------------	----------------

## Overhaul Kits

1	<b>R100160</b>		Overhaul Kit - Roller	1	<b>80.05</b>	
---	----------------	--	-----------------------	---	--------------	--

*Tech Note: Includes 2 ea.: R150504 Washers, R237-54 O-rings, R253-117 Seals, R253-122 Seals, R254-78 Bearing, R254-79 Bearing Cups, R302-5 Grease Fittings, R3296-15 Locknuts, & R59-5690 Wear Sleeves:*

## Verti-Cut Blades

5	<b>R59-6280</b>	59-6280	Verti-Cut Blade - 9 x .1875	12	<b>21.90</b>	
---	-----------------	---------	-----------------------------	----	--------------	--

5	<b>R150575</b>		Verti-Cut Blade - 9 x .1250 with Carbide Tip	12	<b>29.50</b>	
---	----------------	--	--	----	--------------	--

5	<b>R150570</b>	01-283-0470, 82-3070, 82-3070-03	Verti-Cut Blade - 9 x .1094	12	<b>19.40</b>	
---	----------------	--	-----------------------------	----	--------------	--

## R&R Rollers

7	<b>R59-5630</b>	59-5630	Roller - Smooth Tubular Steel	1	<b>247.90</b>	
---	-----------------	---------	-------------------------------	---	---------------	--

*Tech Note: Constructed with a through shaft, this heavy duty roller uses greasable tapered bearings for extended life.:*

## Other Parts Available

10	<b>R400184</b>	322-2, 322-3	Screw - 5/16-18 x 3/4 Hex	6	<b>0.62</b>	
----	----------------	-----------------	---------------------------	---	-------------	--

11	<b>R3234-12</b>	3234-12	Bolt - Hex Serrated Washer HD	2	<b>1.10</b>	
----	-----------------	---------	-------------------------------	---	-------------	--

12	<b>R3234-14</b>	3234-14, 3234-23	Bolt - Hex Serrated Washer HD	2	<b>0.83</b>	
----	-----------------	---------------------	-------------------------------	---	-------------	--

13	<b>R3234-27</b>	3234-27	Bolt - 1/2-13 x 2 Hex	2	<b>5.35</b>	
----	-----------------	---------	-----------------------	---	-------------	--

All original equipment manufacturers names and part numbers are used for identification purposes only, and we are in no way implying that our products are original equipment parts. Prices subject to change without notice.



# Replaces Toro Reelmaster 450-D Parts

Verti-Cut Unit

Verti-Cut Reel & Frame



Item No	R&R Part No.	OEM Part No.	Description	Qty Req	Price Each	Order Quantity
14	R324-6	01-150-1690, 01-178-0712, 20-68-AGD, 3225-3, 324-6	Bolt - Hex HD 7/16-14 x 1-1/2	2	0.90	
15	R3246-17	3246-17, 48-7480	Screw - Set 5/16-24 x 1/2	1	0.72	
16	R325-4	01-150-0280, 01-178-0806, 01-178-0808, 20-85-AD, 20-85-AGD, 325-1, 325-2, 325-4	Bolt - Hex HD 1/2-13 x 1	2	0.90	
17	R325-7	01-150-0380, 01-178-0814, 3226-3, 325-7, 48-9490	Bolt - 1/2-13 x 1 3/4 Hex HD Gr 5	6	0.84	
18	R3253-4	01-166-0110, 01-166-0510, 23-10-GD, 24-7170, 30-8520, 3253-4, 42-9850, 48-9350, 48-9360, 48-9570, 68-9420, 99-7577	Washer - Lock 5/16 Zinc	6	0.14	
19	R3254-4	21-3890, 26-8050, 3254-4	Washer - Lock 1/2 Z Int Star	1	0.34	
20	R3257-3	3257-3	Key - Woodruff	1	0.65	
21	R3290-440	3290-440	Washer - Belleville	2	4.35	

All original equipment manufacturers names and part numbers are used for identification purposes only, and we are in no way implying that our products are original equipment parts. Prices subject to change without notice.



# Replaces Toro Reelmaster 450-D Parts

Verti-Cut Unit

Verti-Cut Reel & Frame



Item No	R&R Part No.	OEM Part No.	Description	Qty Req	Price Each	Order Quantity
22	<b>R3296-25</b>	30-3380, 32127-21, 32127-31, 3290-160, 3290-33, 3296-13, 3296-25, 3296-45, 329645	Locknut - 1/2-13 Heavy ESNA	8	<b>2.15</b>	
23	<b>R3296-28</b>	119-4154, 140-9234, 32127-34, 32128-7, 32128-8, 32136-7, 3296-28	Nut - 1/2-20 ESNA Jam	4	<b>1.25</b>	
24	<b>R3296-48</b>	119-4039, 32146-7, 3296-34, 3296-48	Locknut - 7/16-14 ESNA	2	<b>0.55</b>	
25	<b>R38-7330</b>	38-7330	Shield - Grass	2	<b>4.60</b>	
26	<b>R47-7140</b>	47-7140	Pulley - Driven Timing Belt	1	<b>113.95</b>	
27	<b>R47-7170</b>	47-7170	Gasket - Cover	1	<b>11.15</b>	
28	<b>R48-8880</b>	48-8880	Pin - Reel Bearing	2	<b>1.25</b>	
29	<b>R48-9020</b>	48-9020	Bolt - Shoulder 1/2-20	2	<b>6.45</b>	
30	<b>R48-9050</b>	48-9050	Plate - Drive	1	<b>11.30</b>	
31	<b>R48-9071</b>	48-9071	Cover - RH Drive V-Cut	1	<b>31.55</b>	
31	<b>R48-9081</b>	48-9081	Cover - Drive LH V-Cut	1	<b>31.55</b>	
<i>Tech Note: (Shown):</i>						
32	<b>R59-5550</b>	59-5550	Housing - Bearing	1	<b>92.50</b>	
33	<b>R59-5560</b>	59-5560	Cap - Dust	1	<b>14.15</b>	

All original equipment manufacturers names and part numbers are used for identification purposes only, and we are in no way implying that our products are original equipment parts. Prices subject to change without notice.



# Replaces Toro Reelmaster 450-D Parts

Verti-Cut Unit

Verti-Cut Reel & Frame



Item No	R&R Part No.	OEM Part No.	Description	Qty Req	Price Each	Order Quantity
35	<b>R84-6100</b>	59-5700, 84-6100	Bracket - Roller w/Rubber Bushing	2	<b>67.25</b>	
36	<b>R59-5780</b>	59-5780	Bushing - Roller Bracket	2	<b>6.25</b>	
37	<b>R59-5820</b>	59-5820	Nut - Cone Roller Adj Bkt	4	<b>8.75</b>	
38	<b>R59-5830</b>	59-5830, 59-5830-01	Cover - Inner Grass Shield	1	<b>13.60</b>	
39	<b>R59-5840</b>	59-5840	Cover - Outer Grass Shield	1	<b>22.95</b>	
40	<b>R59-6000</b>	59-6000	Bracket - Skid RH	1	<b>8.45</b>	
40	<b>R59-6010</b>	59-6010	Bracket - Skid LH	1	<b>8.45</b>	
41	<b>R59-6140</b>	251-298, 48-8860, 59-6140	Bearing - Reel	2	<b>41.55</b>	
42	<b>R59-6150</b>	59-6150	Washer - Reel Pulley	1	<b>3.85</b>	
43	<b>R59-6190</b>	59-6190	Bolt - Reel Special	1	<b>8.15</b>	
44	<b>R59-6250</b>	59-6250	Frame - Verti-Cut	1	<b>281.40</b>	
46	<b>R59-6290</b>	59-6290	Shaft - V-Cut w/Stop	1	<b>271.50</b>	
47	<b>R59-6320</b>	59-6320	Spacer - V-Cut Shaft 2 1/4	11	<b>9.85</b>	
48	<b>R59-6330</b>	59-6330	Nut - V-Cut Shaft	1	<b>53.80</b>	
49	<b>R59-6340</b>	59-6340	Bolt - Shoulder	2	<b>10.95</b>	
50	<b>R59-7490</b>	59-7490	Caplug	1	<b>1.45</b>	
51	<b>R59-7790</b>	59-7790	Decal	1	<b>6.05</b>	
52	<b>R75-7680</b>	51-1600, 52-9660, 75-7680, 75-7680-01	Deflector	1	<b>48.60</b>	

All original equipment manufacturers names and part numbers are used for identification purposes only, and we are in no way implying that our products are original equipment parts. Prices subject to change without notice.



# Replaces Toro Reelmaster 450-D Parts

Verti-Cut Unit

Verti-Cut Reel & Frame



Item No	R&R Part No.	OEM Part No.	Description	Qty Req	Price Each	Order Quantity
53	<b>R84-0810</b>	59-5990, 84-0810	Skid - LH	1	<b>66.25</b>	
53	<b>R84-0820</b>	59-5980, 84-0820	Skid - RH	1	<b>66.25</b>	
54	<b>R62-6470</b>	59-5510, 62-6470	Housing - Drive RH	1	<b>189.55</b>	
54	<b>R62-6480</b>	59-5530, 62-6480	Housing - Drive LH	1	<b>189.55</b>	
<i>Tech Note: (Shown):</i>						
55	<b>R72-0470</b>	72-0470	Guard	2	<b>32.65</b>	
56	<b>R301504</b>	2296-42, 301504, 32127-24, 32128-33, 32146-17, 3296-16, 3296-42, 3296-42 , 915661P	Locknut - ESNA 1/4-20	10	<b>0.18</b>	
57	<b>R59-5770</b>	59-5770	Bracket - Rear Roller	2	<b>43.35</b>	
58	<b>R47-2380</b>	47-2380	Key - Drive Pulley	1	<b>1.40</b>	
59	<b>R302-5</b>	21-6010, 302-11, 302-37, 302-47, 302-5, 302-57, 302-58, 302-6, 31-0300, 32-9660, 60-0800, 62-3880, 92-4181	Fitting - Grease	1	<b>0.27</b>	

All original equipment manufacturers names and part numbers are used for identification purposes only, and we are in no way implying that our products are original equipment parts. Prices subject to change without notice.



# Replaces Toro Reelmaster 450-D Parts

Verti-Cut Unit

Verti-Cut Reel & Frame



Item No	R&R Part No.	OEM Part No.	Description	Qty Req	Price Each	Order Quantity
60	<b>R66-5710</b>	117-8976, 66-5710	Seal - Hyd Motor Shaft	1	<b>31.85</b>	
61	<b>R47-7150</b>	47-7150	Pulley - Belt Drive	1	<b>119.60</b>	
62	<b>R92-9251</b>	92-9251	Sleeve - Wear Reel Bearing	0	<b>10.15</b>	
63	<b>R3234-34</b>	321-11, 323-12, 3234-34	Bolt - Hex Washer 1/4 x 2	8	<b>0.67</b>	
64	<b>R150520</b>	47-7160	Belt - Cutting Unit	1	<b>22.35</b>	
65	<b>R187-0</b>	3256-25, 7-0032	Washer - Flat 7/16 SAE	1	<b>0.22</b>	
66	<b>R253-145</b>	253-145	Seal - Oil Reel Assy	3	<b>4.70</b>	
66	<b>R93-1414</b>	93-1414	Seal - Oil Reel Assy	3	<b>4.20</b>	
67	<b>R256-113</b>	256-113	Bushing - 3/4 ID x 1 1/8 Flange	2	<b>5.05</b>	
68	<b>R256-252</b>	256-252	Bushing - 3/4 ID x 1 Flange	2	<b>4.80</b>	
69	<b>R302-40</b>	302-13, 302-40	Fitting - Grease	2	<b>0.82</b>	
70	<b>R32121-50</b>	32121-50	Pin - Roll Spiral Lock 1/8 1147	1	<b>1.20</b>	
71	<b>R32151-71</b>	32151-71	Ring - Snap Reel Brg	1	<b>2.55</b>	
72	<b>R150503</b>		Pin - Drive Roller End	2	<b>0.75</b>	
73	<b>R3296-15</b>	116-7306, 32118-5, 32127-23, 32127-47, 3296-15	Locknut - 3/4-16 Nylon Jam	2	<b>2.15</b>	
74	<b>R150504</b>	66-5620	Washer	2	<b>2.35</b>	

All original equipment manufacturers names and part numbers are used for identification purposes only, and we are in no way implying that our products are original equipment parts. Prices subject to change without notice.



# Replaces Toro Reelmaster 450-D Parts

Verti-Cut Unit

Verti-Cut Reel & Frame



Item No	R&R Part No.	OEM Part No.	Description	Qty Req	Price Each	Order Quantity
75	<b>R253-122</b>	253-122, 30-0640	Seal	2	<b>3.55</b>	
76	<b>R59-5690</b>	59-5690	Sleeve - Wear	2	<b>10.65</b>	
77	<b>R237-54</b>	237-35, 237-46, 237-54, 253-35, 353-308	O-Ring - Small	2	<b>0.50</b>	
78	<b>R254-78</b>	01-102-0060, 01-102-0130, 1-633585, 254-78, 32-7790, 32-9580, 93-4813	Tapered Bearing Cone	2	<b>6.05</b>	
79	<b>R254-79</b>	01-103-0060, 01-103-0130, 1-633584, 252-106, 254-79, 32-7800, 32-9590	Cup - Bearing	2	<b>3.20</b>	
<i>Tech Note: Use R254-79M installation mandrel to properly install race.:</i>						
80	<b>R59-5670</b>	59-5670	Shaft - Rear Roller	1	<b>50.15</b>	

All original equipment manufacturers names and part numbers are used for identification purposes only, and we are in no way implying that our products are original equipment parts. Prices subject to change without notice.