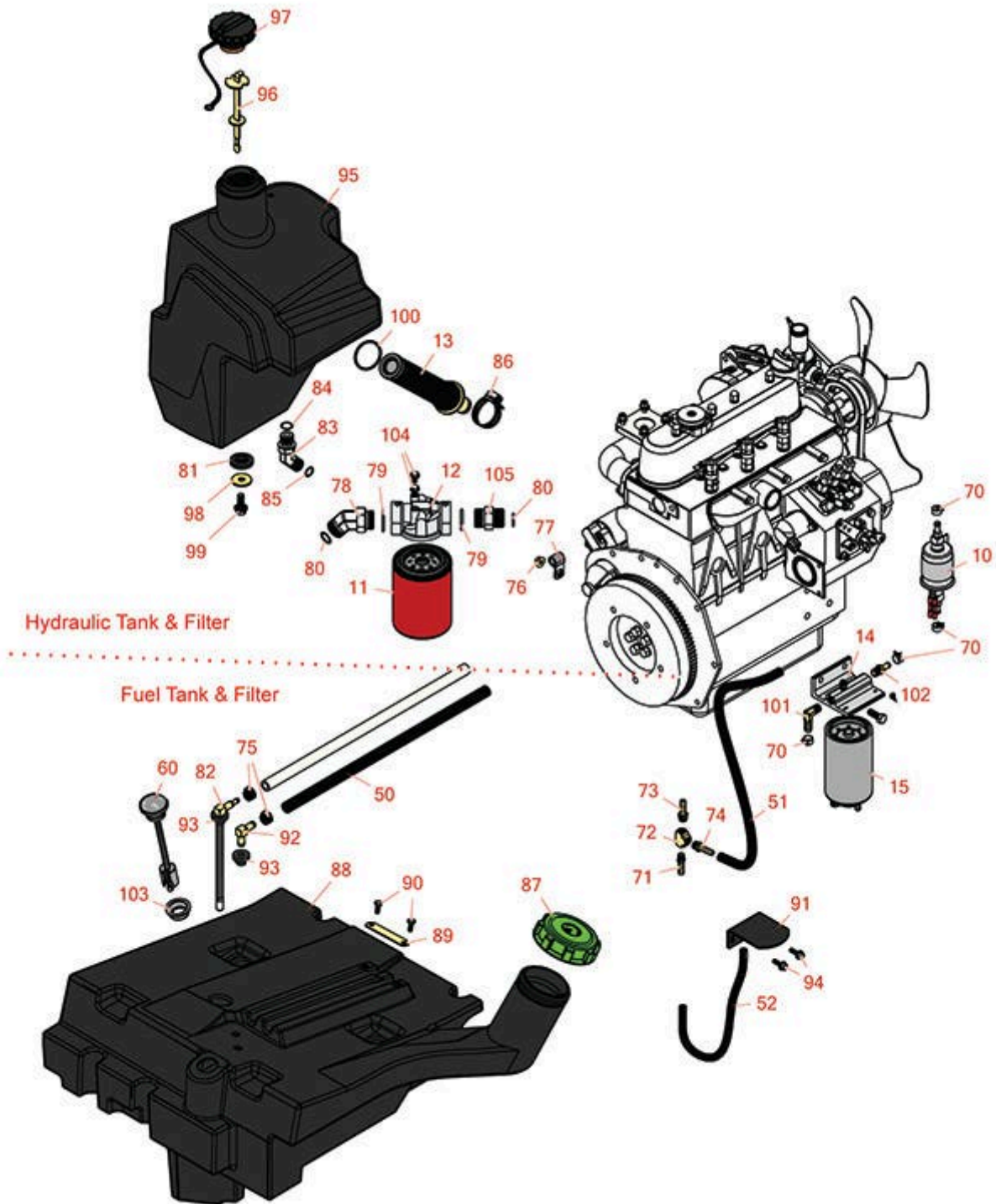




# Replaces Toro Reelmaster 3555-D Parts

Traction Unit  
Hydraulic & Fuel Tank



All original equipment manufacturers names and part numbers are used for identification purposes only, and we are in no way implying that our products are original equipment parts. Prices subject to change without notice.



# Replaces Toro Reelmaster 3555-D Parts

*Traction Unit  
Hydraulic & Fuel Tank*



Item No	R&R Part No.	OEM Part No.	Description	Qty Req	Price Each	Order Quantity
<b>Filters</b>						
10	<b>R110-8806</b>	110-8806	Fuel Pump and Filter Assy	1	<b>165.40</b>	
11	<b>R86-3010</b>	23-9740, 239470, 28-1370, 281370, 353-387, 353387, 54-0110, 540110, 76-6490, 86-3010, 863010, Dec-70	Baldwin Hydraulic Oil Filter	1	<b>10.20</b>	
12	<b>R92-5821</b>	86-3000, 92-5821	Filter - Head	1	<b>66.65</b>	
13	<b>R104-7546</b>	104-7546, 104-7546`	Strainer - Tank	1	<b>101.40</b>	
14	<b>R110-9044</b>	110-9044	Donaldson Water/Fuel Seperator Assy	1	<b>41.50</b>	
15	<b>R110-9049</b>	110-9049	Donaldson Fuel Filter - Spin On	1	<b>17.75</b>	
<b>Hoses</b>						
50	<b>R110-6187</b>	110-6187	Hose-Fuel	1	<b>8.10</b>	
51	<b>R110-8751</b>	110-8751	Hose-Fuel	1	<b>5.30</b>	
52	<b>R110-5701</b>	110-5701, 99-3185, 99-7191	Hose-Fuel	1	<b>8.95</b>	
<b>Gauges and Controls</b>						
60	<b>R95-8971</b>	95-8971	Guage-Fuel	1	<b>54.10</b>	
<b>Other Parts Available</b>						
70	<b>R92-2379</b>	92-2379	Clamp - Hose	4	<b>0.41</b>	

All original equipment manufacturers names and part numbers are used for identification purposes only, and we are in no way implying that our products are original equipment parts. Prices subject to change without notice.



# Replaces Toro Reelmaster 3555-D Parts

*Traction Unit  
Hydraulic & Fuel Tank*



Item No	R&R Part No.	OEM Part No.	Description	Qty Req	Price Each	Order Quantity
71	<b>R304-73</b>	304-73, 307-73, 353-973	Connector-Hose	1	<b>7.50</b>	
72	<b>R354-20</b>	354-20	Fitting-Tee	1	<b>7.50</b>	
73	<b>R354-21</b>	354-21	Fitting-Barb	1	<b>3.65</b>	
74	<b>R354-22</b>	354-22	Fitting-Barb	1	<b>2.45</b>	
75	<b>R2412-108</b>	2412-108, 97406	Clamp - Worm - 1/4 - Stainless	4	<b>2.35</b>	
76	<b>R104-8300</b>	104-8300, 104-8300 , 119-4041	Locknut - 5/16-18 Flanged Y/Zinc	1	<b>0.47</b>	
77	<b>R2412-10</b>	2412-10, Mar-06	R-Clamp	1	<b>4.55</b>	
78	<b>R100-5530</b>	100-5530, 98-0657	Hydraulic Fitting - 45 Deg	1	<b>56.05</b>	
79	<b>R237-81</b>	237-81, 237.81, 327-81	O-Ring	2	<b>2.30</b>	
80	<b>R237-58</b>	237-58	O-Ring	2	<b>0.78</b>	
81	<b>R240-11</b>	240-11	Bushing - Rubber - Flanged	4	<b>2.45</b>	
82	<b>R110-9689</b>	110-9689, R110-9689	Pipe-Stand	1	<b>38.45</b>	
83	<b>R340-101</b>	340-101	Hydraulic Fitting	1	<b>17.15</b>	
84	<b>R237-79</b>	237-79	O-Ring	1	<b>1.50</b>	
85	<b>R237-30</b>	23-6320, 237-30	O-Ring - Seal	1	<b>0.78</b>	
86	<b>R2412-34</b>	2412-34, 31-0120	Clamp - Hose .75-1.5	2	<b>1.50</b>	

All original equipment manufacturers names and part numbers are used for identification purposes only, and we are in no way implying that our products are original equipment parts. Prices subject to change without notice.



# Replaces Toro Reelmaster 3555-D Parts

*Traction Unit  
Hydraulic & Fuel Tank*



Item No	R&R Part No.	OEM Part No.	Description	Qty Req	Price Each	Order Quantity
87	<b>R110-0897</b>	110-0897	Cap- Diesel	1	<b>25.50</b>	
88	<b>R95-8620</b>	95-8620	Tank-Fuel	1	<b>229.80</b>	
89	<b>R95-8881</b>	95-8881	Strap - Fuel Line	1	<b>7.95</b>	
90	<b>R321-2</b>	01-150-0200, 01-178-0404, 20-1-AD, 24-2420, 30-4530, 321-2, 32143-9, 513313	Bolt - Hex HD	2	<b>2.55</b>	
91	<b>R95-8968-03</b>	95-8968, 95-8968-03	Support-Tank, Fuel	1	<b>12.05</b>	
92	<b>R46-6550</b>	46-6550	Fitting - Elbow 90	1	<b>21.75</b>	
93	<b>R46-6560</b>	46-6560	Bushing	2	<b>3.55</b>	
94	<b>R32144-10</b>	32140-81, 32144-10, 32144-3, 34-140-AMVD	Bolt - 1/4-20 x 3/4 Serrated Hx Wshr	2	<b>2.85</b>	
95	<b>R104-4840</b>	104-4840	Tank - Hyd	1	<b>877.50</b>	
96	<b>R119-6968</b>	119-6968	Dipstick- Oil	1	<b>26.05</b>	
97	<b>R93-7160</b>	93-3103, 93-7160	Cap - Hyd Oil w/Tether	1	<b>23.45</b>	
98	<b>R63-8410</b>	53-6380, 63-4810, 63-8410	Washer - Isolator Bushing	4	<b>0.77</b>	
99	<b>R3234-11</b>	3234-11	Bolt - Hex Washer HD	4	<b>1.05</b>	
100	<b>R340-136</b>	340-136	O-Ring	1	<b>4.35</b>	
101	<b>R353-781</b>	353-781	Fitting-Elbow	1	<b>17.35</b>	

All original equipment manufacturers names and part numbers are used for identification purposes only, and we are in no way implying that our products are original equipment parts. Prices subject to change without notice.



# Replaces Toro Reelmaster 3555-D Parts

*Traction Unit*

*Hydraulic & Fuel Tank*



Item No	R&R Part No.	OEM Part No.	Description	Qty Req	Price Each	Order Quantity
102	<b>R353-783</b>	353-783	Fitting - Straight	1	<b>16.15</b>	
103	<b>R95-8972</b>	95-8972	Grommet	1	<b>6.30</b>	
104	<b>R3234-13</b>	3234-13, 960151P	Bolt - Flanged Hex 1/4-20	2	<b>0.77</b>	
105	<b>R340-9</b>	340-9	Fitting - Straight Connector	1	<b>34.55</b>	

All original equipment manufacturers names and part numbers are used for identification purposes only, and we are in no way implying that our products are original equipment parts. Prices subject to change without notice.