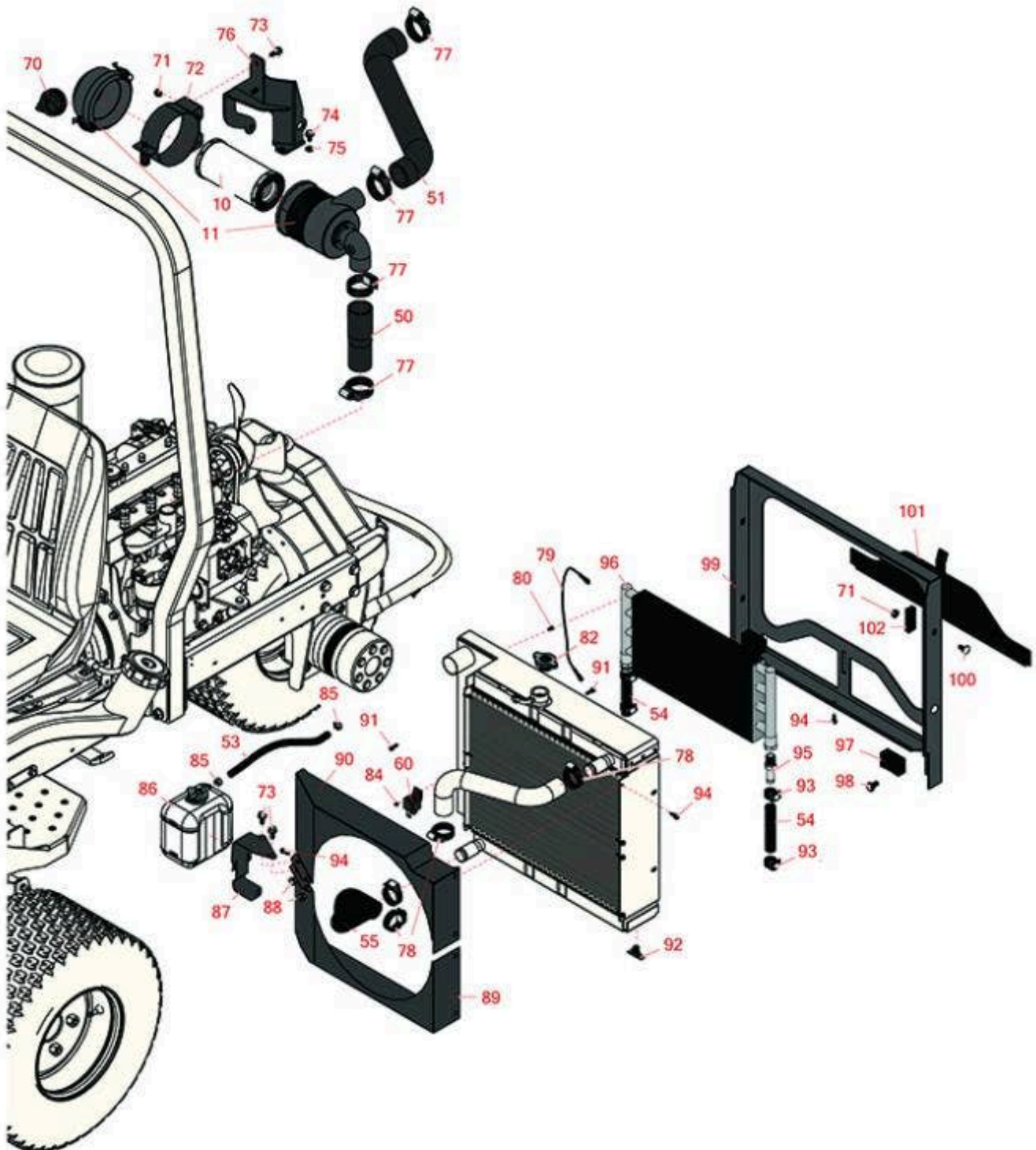




Replaces Toro Reelmaster 3100-D Parts

Traction Unit - Model 03200

Radiator & Air Intake



All original equipment manufacturers names and part numbers are used for identification purposes only, and we are in no way implying that our products are original equipment parts. Prices subject to change without notice.



Replaces Toro Reelmaster 3100-D Parts

Traction Unit - Model 03200

Radiator & Air Intake



Item No	R&R Part No.	OEM Part No.	Description	Qty Req	Price Each	Order Quantity
Filters						
10	R108-3811	108-3811	Element - Air Cleaner	1	21.15	
11	R93-2190	93-2190	Air Cleaner Assy	1	87.90	
Hoses						
50	R95-8947	95-8947	Hose - Lower - Air in	1	21.10	
51	R95-8946	95-8946	Hose - Upper - Air in	1	46.05	
53	R63-9640	63-9640	Hose - Fuel	1	3.20	
54	R95-8706	95-8706	Hydraulic Hose Assy	2	9.65	
55	R95-8945	95-8945	Hose-Radiator - Lower	1	30.60	
Gauges and Controls						
60	R99-7435	99-7435	Relay - 70 Amp	1	21.90	
Other Parts Available						
70	R87-9400	87-9400	Valve - Vacuator	1	7.25	
71	R32128-44	32128-44	Nut	6	1.45	
72	R93-2191	93-2191	Band-Mounting - Air Cleaner	1	31.80	
73	R3234-5	3234-5, 62-3310	Bolt - 5/16-18x3/4 Hx Ser Was HD	4	0.74	
74	R33114-016	33114-016, 42-9230, 42-9270, 48-7680, 48-7690, 48-7700	Bolt - Hx HD 8mm x 1.25 x 15	2	0.40	

All original equipment manufacturers names and part numbers are used for identification purposes only, and we are in no way implying that our products are original equipment parts. Prices subject to change without notice.



Replaces Toro Reelmaster 3100-D Parts

Traction Unit - Model 03200

Radiator & Air Intake



Item No	R&R Part No.	OEM Part No.	Description	Qty Req	Price Each	Order Quantity
75	R453009	01-166-0400, 24-10-BD, 24-9-AD, 32-9650, 3256-2, 3256-23, 3256-3, 3256-67, 3290-217, 3556-3, 4-2390, 7-0152	Washer - Flat 5/16 SAE	2	0.13	
76	R99-3355-03	99-3355, 99-3355-03	Bracket- Filter	1	78.45	
77	RG132	2412-130, 2412-92	Clamp - Hose 1.56-2.5 Box/10	1	14.55	
78	R2412-34	2412-34, 31-0120	Clamp - Hose .75-1.5	4	1.50	
79	R99-3390	99-3390	Lanyard	1	14.40	
80	R3269-22	3269-22	Rivet- Pop	2	0.84	
82	R93-5957	93-5957	Cap - Radiator	1	16.60	
84	R32128-17	32128-17	Nut - Lock - Flange	1	0.28	
85	R92-2379	92-2379	Clamp - Hose	2	0.41	
86	RX1G64272400	104-9318, 105-3753, 98-9323, 98-9397	Kubota Tank - Reserve Assy	1	105.52	
87	R95-8879-03	95-8879, 95-8879-03	Bracket - Reservoir	1	17.50	
88	R445722	30-8980, 32128-2, 32128-20, 32128-20, 445722	Nut - Serrated Washer	2	0.66	

All original equipment manufacturers names and part numbers are used for identification purposes only, and we are in no way implying that our products are original equipment parts. Prices subject to change without notice.



Replaces Toro Reelmaster 3100-D Parts

Traction Unit - Model 03200

Radiator & Air Intake



Item No	R&R Part No.	OEM Part No.	Description	Qty Req	Price Each	Order Quantity
89	R99-3360-03	99-3360, 99-3360-03	Fan Shroud - Bottom	1	70.25	
90	R99-3580	99-3580	Fan Shroud - Top	1	83.80	
91	R32105-13	32105-13	Screw - Hx Was HD 10-32 x 3/4	1	1.05	
92	R304-46	304-46	Draincock	1	5.30	
93	R2412-36	2210-87, 2412-36, 31-9140, 93-5818, 99-0772	Clamp - Hose 1/2	4	2.75	
94	R32104-116	32104-116	Screw - 12 x 1/2 Sheet Metal HswH	9	0.45	
95	R95-8710	95-8710	Fitting-Barb	2	79.95	
96	R75-1040	75-1040	Cooler - Oil	1	502.95	
97	R95-8962	95-8962	Seal - Foam - Radiator	2	3.25	
98	R3234-1	321-11, 3234-1	Bolt - Flanged Serrated Hex HD 3/8-16 x 3/4	4	1.45	
99	R100-4903-03	100-4903, 100-4903-03	Radiator Frame Assy	1	160.95	
100	R3230-1	01-173-0506, 3230-1, 3230-20, 900037P	Bolt - Carriage 5/16-18 x 3/4	4	0.62	
101	R95-8702-03	95-8702, 95-8702-03, R95-8702-03	Shield - Radiator - Lower	1	24.15	
102	R58-4250	58-4250, 99-3497	Catch - Magnetic	1	25.80	

All original equipment manufacturers names and part numbers are used for identification purposes only, and we are in no way implying that our products are original equipment parts. Prices subject to change without notice.