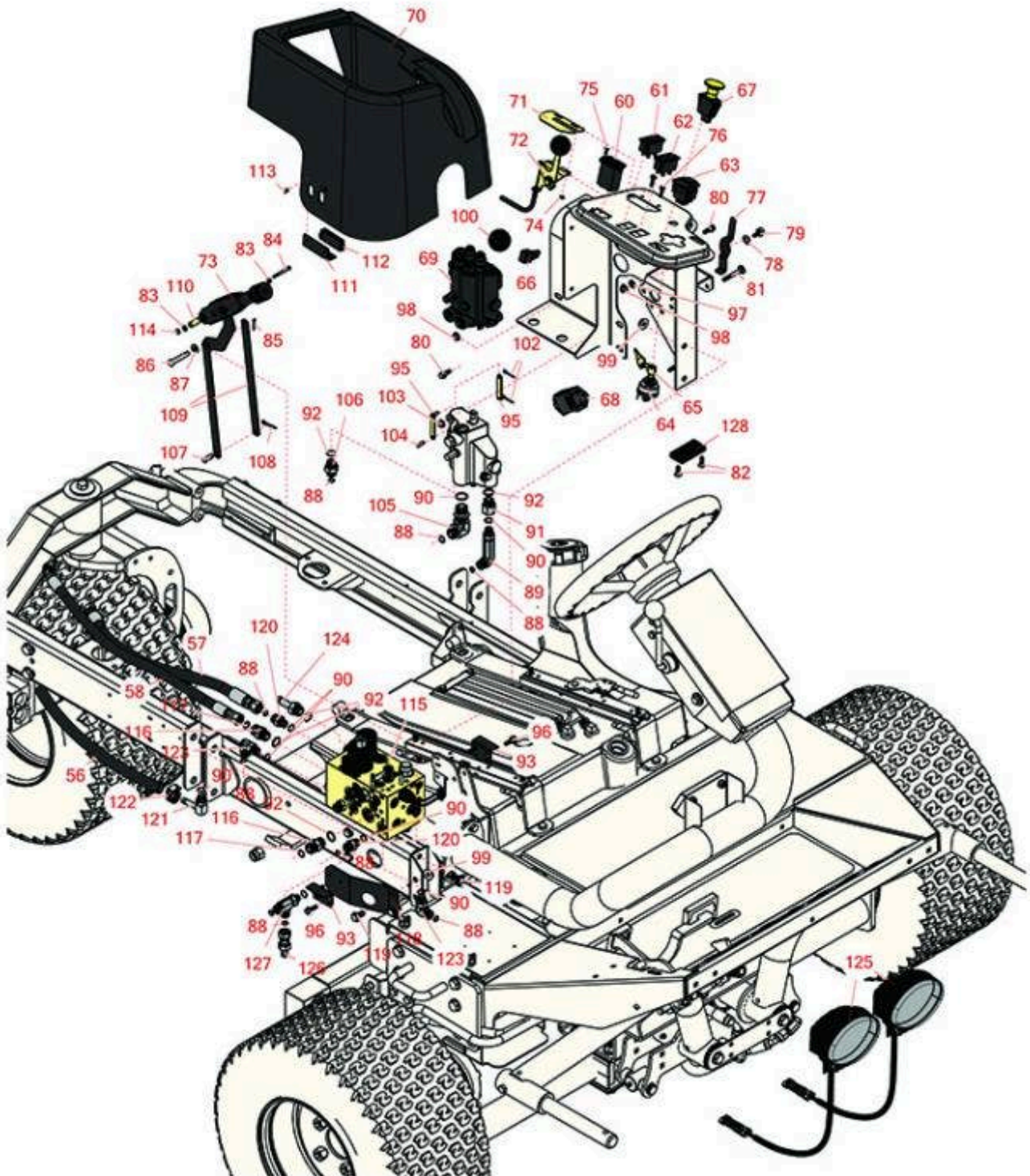




Replaces Toro Reelmaster 3100-D Parts

Traction Unit - Model 03171

Control Panel, Hyd Valve & Parking Brake



All original equipment manufacturers names and part numbers are used for identification purposes only, and we are in no way implying that our products are original equipment parts. Prices subject to change without notice.



Replaces Toro Reelmaster 3100-D Parts

Traction Unit - Model 03171

Control Panel, Hyd Valve & Parking Brake



Item No	R&R Part No.	OEM Part No.	Description	Qty Req	Price Each	Order Quantity
Hoses						
56	R80-7342	80-7342	Hydraulic Hose Assy	1	11.30	
57	R95-8829	95-8829	Hydraulic Hose Assy	1	48.60	
58	R106-4197	106-4197	Hydraulic Hose Assy	1	57.90	
Gauges and Controls						
60	R75-6820	75-6820	Meter - Hour - Quartz	1	59.85	
61	R100-8071	100-8071	Lamp - Warning	1	22.35	
62	R100-8070	100-8070	Lamp - Warning	1	22.35	
63	R95-8999	95-8999	Switch - Headlight	1	28.80	
64	R104-2541	104-2541, 88-9830	Switch - Key 6 Lead 5/8 Mt.	1	18.80	
65	R343060	218-412, 32-8380, 33-2010, 62-7770, 63-8360, 94-2618	Ignition - Key Set/2	1	2.75	
66	R100-4918	100-4818, 100-4918	Diode	1	21.70	
68	RX1709565660	98-7611, 99-3463, 99-7611	Kubota Controller	1	168.60	
67	R93-9999	93-9999	Switch - Pto	1	31.75	
69	R95-8581	95-8581	Valve- Assy - 2 Spool	1	752.75	
Other Parts Available						
70	R95-8707	95-8707	Cover - Dash	1	106.65	
71	R104-0421	104-0421	Plate - Throttle Stop	1	8.15	

All original equipment manufacturers names and part numbers are used for identification purposes only, and we are in no way implying that our products are original equipment parts. Prices subject to change without notice.



Replaces Toro Reelmaster 3100-D Parts

Traction Unit - Model 03171

Control Panel, Hyd Valve & Parking Brake



Item No	R&R Part No.	OEM Part No.	Description	Qty Req	Price Each	Order Quantity
72	R110-8795	110-8759, 110-8795	Cable - Throttle	1	29.65	
73	R104-4817	104-4817	Lever - Brake	1	92.30	
74	R3290-148	3290-148	Nut - 10-24 Fl Lock	2	0.36	
75	R32144-18	32144-18	Screw - Hex HD	2	1.90	
76	R32105-13	32105-13	Screw - Hx Was HD 10-32 x 3/4	2	1.05	
77	R99-3401-03	99-3401, 99-3401-03	Lever - Valve - Lock	1	9.65	
78	R3290-477	108473, 3290-477	Washer - Spring Wave	1	0.75	
79	R63-3410	63-3410	Screw - Shoulder	1	4.50	
80	R42-3560	42-3560	Bolt-Shoulder	2	4.35	
81	R3230-33	3230-33	Screw - Carriage	2	2.55	
82	R3289-4	01-150-1070, 01-158-0180, 3289-4, 99-7334	1/4-20 x 3/4 Flathead Skt Cap Scr	2	3.25	
83	R150426	3256-21	Washer - 8 SAE	2	0.23	
84	R32105-9	32105-9	Screw	1	0.87	
85	R1023-4	01-151-0150, 1023-4, 19-6220, 214-14, 215-54, 28-9-D, 3272-4, 3272-6, 513567, 932008P	Pin - Cotter 3/32 x 3/4	1	0.23	
86	R94-3829	94-3829	Pin - Clevis	1	2.55	

All original equipment manufacturers names and part numbers are used for identification purposes only, and we are in no way implying that our products are original equipment parts. Prices subject to change without notice.



Replaces Toro Reelmaster 3100-D Parts

Traction Unit - Model 03171

Control Panel, Hyd Valve & Parking Brake



Item No	R&R Part No.	OEM Part No.	Description	Qty Req	Price Each	Order Quantity
87	R453009	01-166-0400, 24-10-BD, 24-9-AD, 32-9650, 3256-2, 3256-23, 3256-3, 3256-67, 3290-217, 3556-3, 4-2390, 7-0152	Washer - Flat 5/16 SAE	1	0.13	
88	R237-22	107-8844, 237-22, 237-78	O-Ring	5	0.62	
89	R69-4320	69-4320	Hydraulic Fitting - 90 Deg	1	96.05	
90	R237-42	237-42, 31-4160	O-Ring	4	0.80	
91	R353-397	353-397	Reducer - Adapter	1	4.65	
92	R237-79	237-79	O-Ring	4	1.50	
93	R95-8765	95-8765	Bracket - Magnet Strike	2	6.05	
95	R95-8634	95-8634	Link	2	2.95	
96	R32144-10	32140-81, 32144-10, 32144-3, 34-140-AMVD	Bolt - 1/4-20 x 3/4 Serrated Hx Wshr	4	2.85	
97	R3256-22	24-9-BD, 3-1032, 3256-1, 3256-22, 93-0954, 93-0989	Washer - Flat 1/4 Yellow	1	0.12	
98	R32128-32	32128-32	Locknut - 1/4-20 Flanged	3	1.35	

All original equipment manufacturers names and part numbers are used for identification purposes only, and we are in no way implying that our products are original equipment parts. Prices subject to change without notice.



Replaces Toro Reelmaster 3100-D Parts

Traction Unit - Model 03171

Control Panel, Hyd Valve & Parking Brake



Item No	R&R Part No.	OEM Part No.	Description	Qty Req	Price Each	Order Quantity
99	R32128-43	30-8990, 32128-43, 3290-357	Nut - Flanged Whiz - 3/8-16	6	0.62	
100	R233-42	1-603175, 120-9752, 233-42, 233-47	Knob	1	6.80	
102	R3272-5	28-8-D, 3272-5	Pin-Cotter	2	2.30	
103	R32128-33	32128-33	Nut - 1/4-20 Flanged Serr	2	0.70	
104	R58-3830	58-3830	Pin - Clevis 3/16 x 3/4	2	7.50	
105	R340-77	340-100, 340-77, 95-7889	Hydraulic Fitting	3	15.85	
106	R340-3	340-3	Hydraulic Fitting - Adapter Connector	1	8.05	
107	R283-62	283-62	Pin - Clevis 5/16 x 3/4	1	0.74	
108	R3272-10	01-151-0120, 105-7512, 3272-10, N/A	Pin - Cotter 1/8 x 3/4	1	0.13	
109	R104-4628-03	104-4628, 104-4628-03	Link - Parking Brake	2	11.70	
110	R87-4710	87-4710	Spacer - Parking Brake	1	3.95	
111	R95-8763	95-8763	Bracket - Hold Down	2	8.95	
112	R58-4250	58-4250, 99-3497	Catch - Magnetic	2	25.80	
113	R3269-5	3269-5	Rivet - Pop	4	0.64	
114	R3296-9	32127-17, 3296-9	Locknut - Comb	1	0.34	

All original equipment manufacturers names and part numbers are used for identification purposes only, and we are in no way implying that our products are original equipment parts. Prices subject to change without notice.



Replaces Toro Reelmaster 3100-D Parts

Traction Unit - Model 03171

Control Panel, Hyd Valve & Parking Brake



Item No	R&R Part No.	OEM Part No.	Description	Qty Req	Price Each	Order Quantity
115	R108-9037	104-4841, 108-9037	Manifold - Reel Drive	1	1530.65	
116	R340-4	340-4	Hydraulic Fitting - Male Connector	2	7.95	
117	R237-30	23-6320, 237-30	O-Ring - Seal	2	0.78	
118	R95-8764-03	95-8764, 95-8764-03	Support - Magnet	1	21.75	
119	R3234-1	321-11, 3234-1	Bolt - Flanged Serrated Hex HD 3/8-16 x 3/4	6	1.45	
120	R340-2	340-2, 60-1920	Hydraulic Fitting - Striaght	2	6.50	
121	R100-4887	100-4887	Fitting-Barb	1	13.65	
122	R2412-36	2210-87, 2412-36, 31-9140, 93-5818, 99-0772	Clamp - Hose 1/2	2	2.75	
124	R354-121	354-121, 92-1665	Fitting-Straight	1	10.95	
125	R151712	108-6471, 112-9177, 94-9024	LED Oval Work Light - 12 LED 30w	2	78.25	
126	R86-5480	86-5480, 95-0986	Nipple - Test	1	31.70	
127	R340-86	340-86	Fitting-Tee	1	21.75	
128	R95-8684	95-8684	Pad-Bumper	1	17.35	

All original equipment manufacturers names and part numbers are used for identification purposes only, and we are in no way implying that our products are original equipment parts. Prices subject to change without notice.