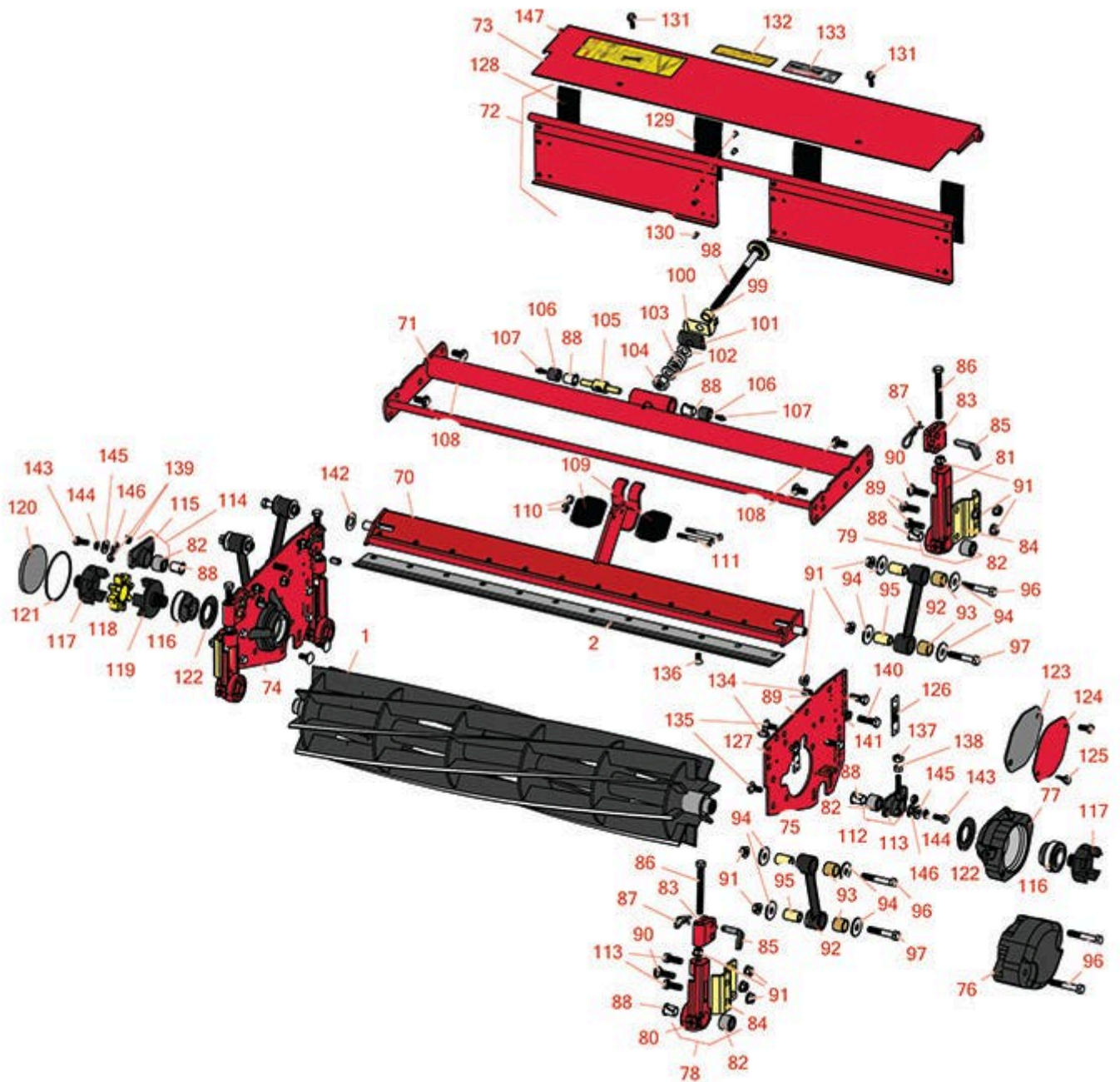




Replaces Toro Reelmaster 3100-D Parts

32in Cutting Unit - Models 03212 & 03238
Reel & Bedknife



All original equipment manufacturers names and part numbers are used for identification purposes only, and we are in no way implying that our products are original equipment parts. Prices subject to change without notice.



Replaces Toro Reelmaster 3100-D Parts

32in Cutting Unit - Models 03212 & 03238

Reel & Bedknife



Item No	R&R Part No.	OEM Part No.	Description	Qty Req	Price Each	Order Quantity
R&R Reels, Lifetime Guaranteed						
1	R94-5055	94-4987, 99-3470, 99-3484	Reel - 5 Blade 32x7	1	337.65	
1	R94-5054	94-4960, 99-3471, 99-3485	Reel - 8 Blade Fits 32x7	1	380.30	
R&R Bedknives, Lifetime Guaranteed						
2	R94-5079	104-1381, 94-4974, 94-5079	Bedknife - Lowcut - 32 in Unit	1	48.20	
R&R Razor Tool Steel Bedknives, Lifetime Guaranteed						
2	R112-8956	112-8956	Bedknife - Razor Tool Steel - 32 x 3/8 Fairway	0	121.55	
Other Parts Available						
70	R95-8748	95-8748-01	Bed Bar - Fits 32 Units	1	229.70	
71	R95-8755-01	95-8755, 95-8755-01	Reel Frame - 32 in	1	215.30	
72	R94-4969	94-4969	Shield - Rear Grass 32 in Units	1	68.95	
73	R94-5053	94-5053	Shield - Top - Fits 32 in Units	1	57.95	
74	R94-3695-01	94-3695, 94-3695-01	Plate - Side Reel RH	1	38.85	
75	R94-3697-01	94-3697, 94-3697-01	Plate - Side Reel LH	1	38.90	
76	R105-0171-03	105-0171-03	Weight-End	1	71.90	
77	R99-3404	93-6930, 99-3404	Housing-Bearing	2	54.70	
78	R14-4489	14-4489	Bracket - Assy - Front Roller	2	36.50	

All original equipment manufacturers names and part numbers are used for identification purposes only, and we are in no way implying that our products are original equipment parts. Prices subject to change without notice.



Replaces Toro Reelmaster 3100-D Parts

32in Cutting Unit - Models 03212 & 03238
Reel & Bedknife



Item No	R&R Part No.	OEM Part No.	Description	Qty Req	Price Each	Order Quantity
79	R14-4479	14-4479	Bracket - Assy - Rear Roller	2	36.20	
80	R61-0440	61-0440	Bracket - Short - Front Roller	2	39.45	
81	R61-0430	61-0430, 61-0430-01	Bracket - Long - Rear Roller	2	37.05	
82	R56-9510	56-9510	Bushing - Rubber For Bed Bar / RI	6	5.45	
83	R61-0420	61-0420, 61-0420-01	Support - HOC	4	17.40	
84	R61-0910	61-0910	Bracket	4	6.20	
85	R71-3690	61-0630, 71-3690	Spade - Bent	4	9.50	
86	R61-0790	323-57, 61-0790	Bolt - Roller Adjustment	4	3.55	
87	R3290-467	3290-467	Pin-Hair	4	0.41	
88	R56-9520	56-9520	Bushing - Nyliner	8	1.55	
89	R323-6	01-150-0010, 01-178-0608, 20-47-AD, 20-47-AGD, 3224-2, 323-6, 49-3510, 908034P, 908332	Bolt - Hex HD 3/8-16 x 1 GR5 YZ	10	0.59	
90	R3231-25	01-173-0610, 30-9970, 3231-25, 3231-3, 900064P	Bolt - Carriage 3/8-16 x 1-1/4	4	0.66	

All original equipment manufacturers names and part numbers are used for identification purposes only, and we are in no way implying that our products are original equipment parts. Prices subject to change without notice.



Replaces Toro Reelmaster 3100-D Parts

32in Cutting Unit - Models 03212 & 03238
Reel & Bedknife



Item No	R&R Part No.	OEM Part No.	Description	Qty Req	Price Each	Order Quantity
91	R3296-39	32127-25, 32128-36, 3290-357, 3296-17, 3296-22, 3296-39, 915663P, 99-7443	Locknut - 3/8-16 Nylon	30	1.40	
92	R16-9759	16-9759	Link Assy	4	44.50	
93	R94-8945	94-8945	Bushing - Bronze - Link Bar	2	2.55	
94	R93-8806	93-8806	Washer-Hardened	16	1.45	
95	R93-6981	93-6981	Spacer	8	4.60	
96	R323-11	01-150-1440, 01-178-0618, 20-52-AD, 3224-7, 323-11	Bolt - 3/8-16 x 2 1/4 GR5	6	0.84	
97	R323-10	01-150-0680, 01-178-0616, 100-6663, 100-8320, 1489, 20-51-AD, 20-51-AGD, 3224-6, 323-10, 323-35, 908336	Bolt - Hex HD 3/8-16 x 2	4	0.55	
98	R95-8877	106-7536, 93-2957, 95-2762, 95-8877	Handle - Bed Bar Adjustment	1	48.95	
99	R93-2959	93-2959	Spacer - Bed Bar Assy	1	2.50	
100	R95-8752	93-9767, 95-8752	Arm - Spring	1	8.15	

All original equipment manufacturers names and part numbers are used for identification purposes only, and we are in no way implying that our products are original equipment parts. Prices subject to change without notice.



Replaces Toro Reelmaster 3100-D Parts

32in Cutting Unit - Models 03212 & 03238

Reel & Bedknife



Item No	R&R Part No.	OEM Part No.	Description	Qty Req	Price Each	Order Quantity
101	R93-2892	93-2892	Pivot - Plastic - Bed Bar	1	2.85	
102	R29-8910-01	29-8910	Washer - Flat 1/2	2	0.36	
103	R57-5270	57-5270	Spring - Adjusting Handle	1	6.80	
104	R3296-62	3296-62	Locknut - 1/2-20 LH Jam	1	1.25	
105	R57-5260	107-7409, 57-5260	Pivot - 1/2-20 - Bed Bar	1	15.75	
106	R62-5510	52-2870, 62-5510	Bushing	2	4.35	
107	R302-18	302-18	Zerk - Grease Press Style	1	0.47	
108	R3234-1	321-11, 3234-1	Bolt - Flanged Serrated Hex HD 3/8-16 x 3/4	4	1.45	
109	R99-3472	99-3472	Weight	2	17.40	
110	R301504	2296-42, 301504, 32127-24, 32128-33, 32146-17, 3296-16, 3296-42, 3296-42 , 915661P	Locknut - ESNA 1/4-20	2	0.18	
111	R400124	01-178-0420, 20-11-AD, 321-15	Bolt - Hex HD 1/4-20 x 2-1/2 GR5	2	0.83	
112	R16-9769	16-9769	Housing - Bed Bar - Adj. Side	1	28.50	
113	R93-6855	93-6855	Housing - Bed Bar Adj.	1	22.95	
114	R14-4459	14-4459	Housing - w/Bushing For Bed Bar	1	22.20	
115	R61-1010	61-1010	Housing - Bed Bar	1	19.40	
116	R100-4926	100-4926	Bearing - Reel Self Aligning	2	21.60	

All original equipment manufacturers names and part numbers are used for identification purposes only, and we are in no way implying that our products are original equipment parts. Prices subject to change without notice.



Replaces Toro Reelmaster 3100-D Parts

32in Cutting Unit - Models 03212 & 03238
Reel & Bedknife



Item No	R&R Part No.	OEM Part No.	Description	Qty Req	Price Each	Order Quantity
117	R93-8826	93-8826	Coupling - LH Reel	1	60.95	
118	R93-8827	93-8827	Spider - Reel Coupling	1	20.80	
119	R93-8825	93-8825	Coupling - RH Reel	1	60.95	
120	R94-2703	94-2703	Plug - Plastic Spindle Housing	1	2.05	
121	R353-949	353-949, 60-3520	O-Ring	2	1.40	
122	R105-6761	105-6761	Seal	2	7.05	
123	R94-5979	94-5979	Gasket	1	6.45	
124	R93-6960	93-6960	Cover - Bearing Holder	1	15.85	
125	R323-2	01-178-0604, 323-2	Bolt - Hex HD 3/8-16 x 1	2	0.44	
126	R61-3800	61-3800	Plate - HOC Rear	2	6.45	
127	R61-3790	61-3790	Plate-HOC, Front	2	3.85	
128	R61-3280	61-3280	Cover - Rubber Side	2	3.40	
129	R61-3290	61-3290	Cover - Rubber Center	2	6.75	
130	R3295-48	3295-48	Rivet - 3/16 x 3/8 Tub	12	0.35	
130	R3290-55	3290-50, 3290-55	Rivet - 5/32 x 3/8 Pop Rivet	8	0.35	
131	R32144-10	32140-81, 32144-10, 32144-3, 34-140-AMVD	Bolt - 1/4-20 x 3/4 Serrated Hx Wshr	2	2.85	
132	R93-6688	93-6688	Decal - Warning	1	2.30	
133	R67-7960	27-2890, 62-5070, 67-7960	Decal - Warning	1	2.75	

All original equipment manufacturers names and part numbers are used for identification purposes only, and we are in no way implying that our products are original equipment parts. Prices subject to change without notice.



Replaces Toro Reelmaster 3100-D Parts

32in Cutting Unit - Models 03212 & 03238

Reel & Bedknife



Item No	R&R Part No.	OEM Part No.	Description	Qty Req	Price Each	Order Quantity
134	R32121-36	32121-36	Pin-Spring	4	2.55	
135	R3230-1	01-173-0506, 3230-1, 3230-20, 900037P	Bolt - Carriage 5/16-18 x 3/4	4	0.62	
136	R150476	3-3816, 3-6462, 52-4910, 57-4910	Screw - Bedknife 5/16-18 x 5/8	12	0.29	
137	R3296-4	3296-4, 3296-43, 65-9360	Locknut - ESNA 5/16-24	1	0.65	
138	R3219-2	01-188-0524, 22-12-BJKD, 3219-2, 915720	Nut - 5/16-24 Zinc	1	0.37	
139	R3296-29	1-804256, 3290-357, 3296-29, 915662P	Locknut - 5/16-18 ESNA	4	2.95	
140	R400264	01-150-0180, 01-178-0610, 20-48-AD, 20-48-AGD, 32-9160, 3224-3, 323-29, 323-7, 400264, 908035P	Bolt - Hex HD 3/8-16 x 1-1/4	2	0.40	
141	R3254-6	01-166-0010, 01-166-0280, 01-166-0610, 3253-5, 3254-18, 3254-6, 3290-223, 48-9370	Washer - Lock 3/8	4	0.08	

All original equipment manufacturers names and part numbers are used for identification purposes only, and we are in no way implying that our products are original equipment parts. Prices subject to change without notice.



Replaces Toro Reelmaster 3100-D Parts

32in Cutting Unit - Models 03212 & 03238
Reel & Bedknife



Item No	R&R Part No.	OEM Part No.	Description	Qty Req	Price Each	Order Quantity
142	R61-1950	61-1950	Washer - Nylon - Bed Bar	1	0.64	
143	R322-3	01-150-1420, 01-178-0506, 20-24-AD, 20-24-AGD, 322-3, 48-9270, 513339, 908017P	Bolt - Hex HD 5/16-18 x 3/4	2	0.62	
144	R3253-4	01-166-0110, 01-166-0510, 23-10-GD, 24-7170, 30-8520, 3253-4, 42-9850, 48-9350, 48-9360, 48-9570, 68-9420, 99-7577	Washer - Lock 5/16 Zinc	2	0.14	
145	R3256-56	3256-56, 60-4750	Washer	2	0.39	
146	R62-7120	62-7120	Washer	2	0.80	
147	R93-8064	93-8064	Decal - Warning	1	2.50	

All original equipment manufacturers names and part numbers are used for identification purposes only, and we are in no way implying that our products are original equipment parts. Prices subject to change without notice.