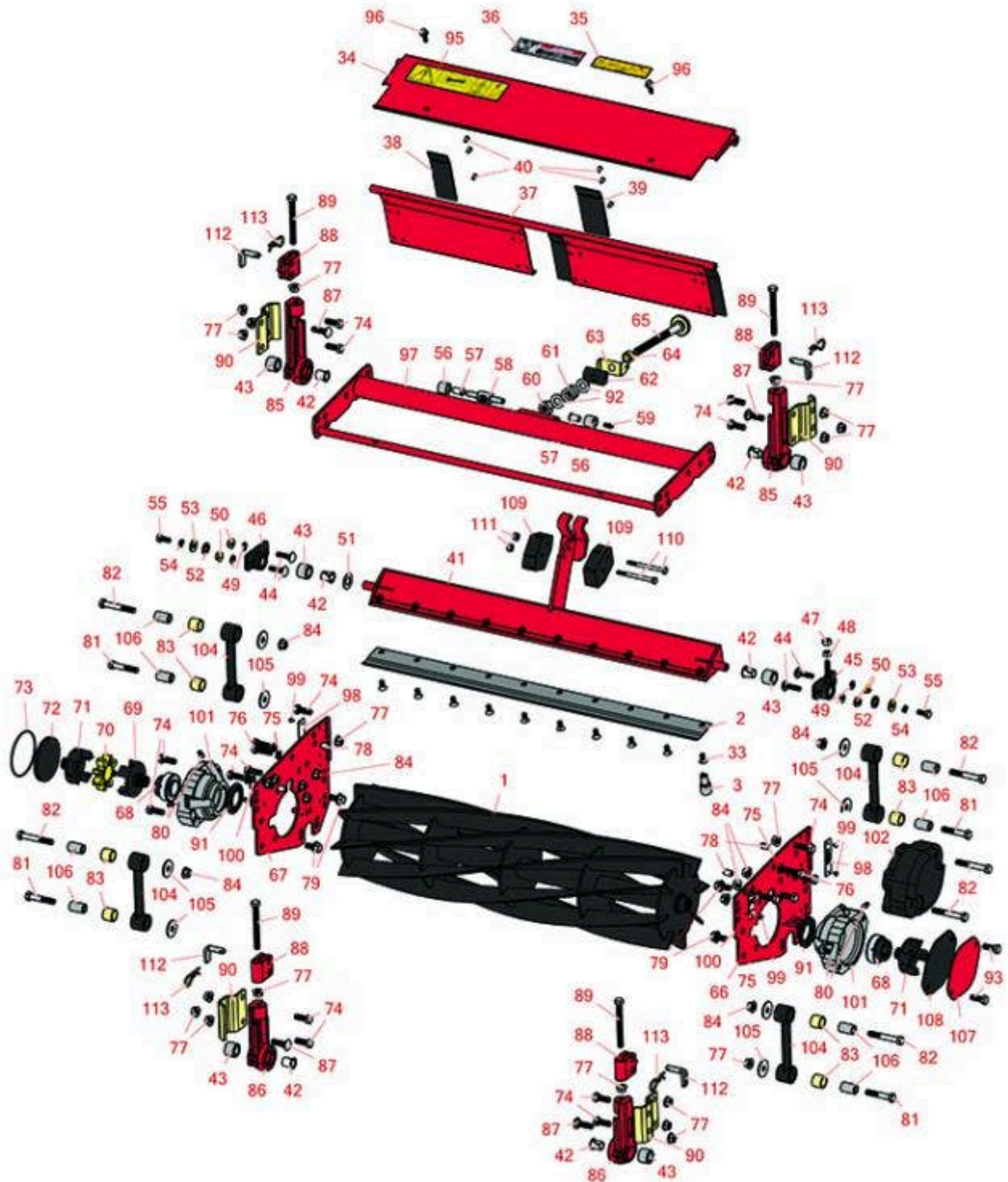




# Replaces Toro Reelmaster 3100-D Parts

27in Cutting Unit - Models 03210, 03237 & 03239  
Reel & Bedknife



All original equipment manufacturers names and part numbers are used for identification purposes only, and we are in no way implying that our products are original equipment parts. Prices subject to change without notice.



# Replaces Toro Reelmaster 3100-D Parts

27in Cutting Unit - Models 03210, 03237 & 03239

Reel & Bedknife



Item No	R&R Part No.	OEM Part No.	Description	Qty Req	Price Each	Order Quantity
<b>R&amp;R Reels, Lifetime Guaranteed</b>						
1	<b>R94-3631</b>	93-8839, 94-3631, 99-3468, 99-3482	Reel - 5 Blade Fits 27x7	1	<b>325.05</b>	
1	<b>R94-3630</b>	93-8833, 94-3630, 99-3469, 99-3483	Reel - 8 Blade Fits 27x7	1	<b>365.40</b>	
1	<b>R105-6768</b>	105-6768	Reel - 11 Blade 27x7	1	<b>361.95</b>	
1	<b>R94-5055</b>	94-4987, 99-3470, 99-3484	Reel - 5 Blade 32x7	1	<b>337.65</b>	
1	<b>R94-5054</b>	94-4960, 99-3471, 99-3485	Reel - 8 Blade Fits 32x7	1	<b>380.30</b>	
1	<b>R137-8483</b>	137-8483	Reel - 8 Blade Razor Series Radial w/Bearings and Seals 32x7	1	<b>601.35</b>	
1	<b>R137-8482</b>	137-8482	Reel - 5 Blade Razor Series Radial w/Bearings and Seals 32x7	1	<b>572.95</b>	
1	<b>R133-0193</b>	133-0193	Reel - 5 Blade Razor Series Radial 32x7	1	<b>524.90</b>	
1	<b>R115-8286</b>	115-8286	Reel - 8 Blade 32x7	1	<b>533.65</b>	
<i>Tech Note: Includes R107-3275 &amp; R107-3276 Threaded Insert:</i>						
1	<b>R127-2105</b>	127-2105	Reel - 8 Blade Radial 32x7	1	<b>530.70</b>	
<i>Tech Note: Includes R107-3275 &amp; R107-3276 Threaded Insert:</i>						
1	<b>R115-8278</b>	115-8278	Reel - 11 Blade 27x7	1	<b>512.95</b>	
1	<b>R127-2095</b>	127-2095	Reel - 11 Blade Radial 27x7	1	<b>510.65</b>	
1	<b>R127-2104</b>	115-8282, 127-2104	Reel - 5 Blade Radial 32x7	1	<b>504.15</b>	

All original equipment manufacturers names and part numbers are used for identification purposes only, and we are in no way implying that our products are original equipment parts. Prices subject to change without notice.



# Replaces Toro Reelmaster 3100-D Parts

27in Cutting Unit - Models 03210, 03237 & 03239  
Reel & Bedknife



Item No	R&R Part No.	OEM Part No.	Description	Qty Req	Price Each	Order Quantity
<i>Tech Note: Includes R107-3275 &amp; R107-3276 Threaded Insert:</i>						
1	<b>R115-8275</b>	115-8275	Reel - 8 Blade 27x7	1	<b>486.85</b>	
1	<b>R127-2094</b>	127-2094	Reel - 8 Blade Radial 27x7	1	<b>484.55</b>	
1	<b>R115-8270</b>	115-8270	Reel - 5 Blade 27x7	1	<b>460.10</b>	
1	<b>R127-2093</b>	127-2093	Reel - 5 Blade Radial 27x7	1	<b>458.30</b>	
1	<b>R137-8471</b>	137-8471	Reel - 11 Blade Razor Series Radial w/Bearings and Seals 27x7	1	<b>475.30</b>	
1	<b>R137-8470</b>	137-8470	Reel - 8 Blade Razor Series Radial w/Bearings and Seals 27x7	1	<b>458.45</b>	
<b>R&amp;R Bedknives, Lifetime Guaranteed</b>						
1	<b>R133-8278</b>	133-8278	Reel - 11 Blade Razor Series Radial 27x7	1	<b>437.05</b>	
1	<b>R137-8469</b>	137-8469	Reel - 5 Blade Razor Series Radial Low Drag w/Bearings and Seals 27x7	1	<b>427.25</b>	
1	<b>R133-0184</b>	133-0184	Reel - 8 Blade Razor Series Radial 27x7	1	<b>411.75</b>	
1	<b>R133-0182</b>	133-0182	Reel - 5 Blade Razor Series Radial 27x7	1	<b>384.55</b>	
2	<b>R62-5180</b>	105-6785, 61-0800, 62-5180	Bedknife - Lowcut - 27 in Unit	1	<b>50.35</b>	
2	<b>R94-5079</b>	104-1381, 94-4974, 94-5079	Bedknife - Lowcut - 32 in Unit	1	<b>48.20</b>	
2	<b>R104-1380</b>	104-1380	Bedknife - Highcut - 27 in Unit	1	<b>52.50</b>	
2	<b>R114-9391</b>	114-9391	Bedknife - 32 in Unit - Heavy Duty	1	<b>62.80</b>	
2	<b>R114-9389</b>	114-9389	Bedknife - 32 in Unit - Standard	1	<b>62.60</b>	
2	<b>R114-9390</b>	114-9390	Bedknife - 27 in Unit - Heavy Duty	1	<b>50.55</b>	

All original equipment manufacturers names and part numbers are used for identification purposes only, and we are in no way implying that our products are original equipment parts. Prices subject to change without notice.



# Replaces Toro Reelmaster 3100-D Parts

27in Cutting Unit - Models 03210, 03237 & 03239  
Reel & Bedknife



Item No	R&R Part No.	OEM Part No.	Description	Qty Req	Price Each	Order Quantity
2	<b>R114-9388</b>	114-9388	Bedknife - 27 in Unit - Standard	1	<b>50.50</b>	

## *R&R Razor Tool Steel Bedknives, Lifetime Guaranteed*

2	<b>R150469</b>		Bedknife - Razor Tool Steel - 27 x 1/2 Fairway	1	<b>108.50</b>	
2	<b>R112-8956</b>	112-8956	Bedknife - Razor Tool Steel - 32 x 3/8 Fairway	0	<b>121.55</b>	
2	<b>R112-8910</b>	112-8910	Bedknife - Razor Tool Steel - 27 High Cut	0	<b>108.50</b>	

## *Service Tools*

3	<b>R51-0880</b>	51-0880	Bedknife Screw Driver Tool	0	<b>35.65</b>	
---	-----------------	---------	----------------------------	---	--------------	--

## *Other Parts Available*

33	<b>R150476</b>	3-3816, 3-6462, 52-4910, 57-4910	Screw - Bedknife 5/16-18 x 5/8	10	<b>0.29</b>	
33	<b>R150475</b>	3-6462, 3-6642	Screw - Bedknife Stainless 5/16-18 x 5/8	10	<b>0.52</b>	

*Tech Note: Pre-Packaged in bags of 50:*

34	<b>R94-3621</b>	94-3621	Shield - Top Incl. Safety Decal 27 in	1	<b>51.30</b>	
34	<b>R94-5053</b>	94-5053	Shield - Top - Fits 32 in Units	1	<b>57.95</b>	
35	<b>R93-6688</b>	93-6688	Decal - Warning	1	<b>2.30</b>	
36	<b>R67-7960</b>	27-2890, 62-5070, 67-7960	Decal - Warning	1	<b>2.75</b>	
37	<b>R93-8849</b>	61-1130, 93-8817, 93-8849	Shield - Rear Grass Fits 27 in Units	1	<b>59.25</b>	
37	<b>R94-4969</b>	94-4969	Shield - Rear Grass 32 in Units	1	<b>68.95</b>	

All original equipment manufacturers names and part numbers are used for identification purposes only, and we are in no way implying that our products are original equipment parts. Prices subject to change without notice.



## Replaces Toro Reelmaster 3100-D Parts

27in Cutting Unit - Models 03210, 03237 & 03239  
Reel & Bedknife



Item No	R&R Part No.	OEM Part No.	Description	Qty Req	Price Each	Order Quantity
38	<b>R61-3280</b>	61-3280	Cover - Rubber Side	2	<b>3.40</b>	
39	<b>R61-3290</b>	61-3290	Cover - Rubber Center	2	<b>6.75</b>	
40	<b>R700382</b>	700382	Rivet - Guard	12	<b>0.34</b>	
41	<b>R95-8739</b>	95-8739, 95-8739-01	Bed Bar - Fits 27 Units	1	<b>208.95</b>	
41	<b>R95-8748</b>	95-8748-01	Bed Bar - Fits 32 Units	1	<b>229.70</b>	
42	<b>R56-9520</b>	56-9520	Bushing - Nyliner	2	<b>1.55</b>	
43	<b>R56-9510</b>	56-9510	Bushing - Rubber For Bed Bar / RI	2	<b>5.45</b>	
44	<b>R3230-2</b>	01-173-0508, 25-25-AGD, 3230-16, 3230-2, 513624, 513633, 513635, 900038P	Bolt - Carriage	4	<b>1.05</b>	
45	<b>R16-9769</b>	16-9769	Housing - Bed Bar - Adj. Side	1	<b>28.50</b>	
46	<b>R14-4459</b>	14-4459	Housing - w/Bushing For Bed Bar	1	<b>22.20</b>	
47	<b>R444754</b>	01-189-0518, 3296-4	Locknut - 5/16-24 Center	1	<b>0.43</b>	
48	<b>R3219-2</b>	01-188-0524, 22-12-BJKD, 3219-2, 915720	Nut - 5/16-24 Zinc	1	<b>0.37</b>	
49	<b>R3256-74</b>	3256-74	Washer - Flat	4	<b>0.65</b>	
50	<b>R104-8300</b>	104-8300, 104-8300 , 119-4041	Locknut - 5/16-18 Flanged Y/Zinc	4	<b>0.47</b>	
51	<b>R61-1950</b>	61-1950	Washer - Nylon - Bed Bar	1	<b>0.64</b>	

All original equipment manufacturers names and part numbers are used for identification purposes only, and we are in no way implying that our products are original equipment parts. Prices subject to change without notice.



# Replaces Toro Reelmaster 3100-D Parts

27in Cutting Unit - Models 03210, 03237 & 03239  
Reel & Bedknife



Item No	R&R Part No.	OEM Part No.	Description	Qty Req	Price Each	Order Quantity
52	<b>R62-7120</b>	62-7120	Washer	1	<b>0.80</b>	
53	<b>R3256-56</b>	3256-56, 60-4750	Washer	1	<b>0.39</b>	
54	<b>R3253-4</b>	01-166-0110, 01-166-0510, 23-10-GD, 24-7170, 30-8520, 3253-4, 42-9850, 48-9350, 48-9360, 48-9570, 68-9420, 99-7577	Washer - Lock 5/16 Zinc	1	<b>0.14</b>	
55	<b>R322-3</b>	01-150-1420, 01-178-0506, 20-24-AD, 20-24-AGD, 322-3, 48-9270, 513339, 908017P	Bolt - Hex HD 5/16-18 x 3/4	1	<b>0.62</b>	
56	<b>R62-5510</b>	52-2870, 62-5510	Bushing	2	<b>4.35</b>	
57	<b>R52-2890</b>	52-2890	Bushing - Flanged	2	<b>0.77</b>	
58	<b>R57-5260</b>	107-7409, 57-5260	Pivot - 1/2-20 - Bed Bar	1	<b>15.75</b>	
59	<b>R302-18</b>	302-18	Zerk - Grease Press Style	1	<b>0.47</b>	
60	<b>R3296-62</b>	3296-62	Locknut - 1/2-20 LH Jam	1	<b>1.25</b>	
61	<b>R57-5270</b>	57-5270	Spring - Adjusting Handle	1	<b>6.80</b>	
62	<b>R93-2892</b>	93-2892	Pivot - Plastic - Bed Bar	1	<b>2.85</b>	
63	<b>R95-8752</b>	93-9767, 95-8752	Arm - Spring	1	<b>8.15</b>	

All original equipment manufacturers names and part numbers are used for identification purposes only, and we are in no way implying that our products are original equipment parts. Prices subject to change without notice.



# Replaces Toro Reelmaster 3100-D Parts

27in Cutting Unit - Models 03210, 03237 & 03239

Reel & Bedknife



Item No	R&R Part No.	OEM Part No.	Description	Qty Req	Price Each	Order Quantity
64	<b>R93-2959</b>	93-2959	Spacer - Bed Bar Assy	1	<b>2.50</b>	
65	<b>R95-8877</b>	106-7536, 93-2957, 95-2762, 95-8877	Handle - Bed Bar Adjustment	1	<b>48.95</b>	
66	<b>R94-3697-01</b>	94-3697, 94-3697-01	Plate - Side Reel LH	1	<b>38.90</b>	
67	<b>R94-3695-01</b>	94-3695, 94-3695-01	Plate - Side Reel RH	1	<b>38.85</b>	
68	<b>R100-4926</b>	100-4926	Bearing - Reel Self Aligning	2	<b>21.60</b>	
69	<b>R93-8825</b>	93-8825	Coupling - RH Reel	1	<b>60.95</b>	
70	<b>R93-8827</b>	93-8827	Spider - Reel Coupling	1	<b>20.80</b>	
71	<b>R93-8826</b>	93-8826	Coupling - LH Reel	1	<b>60.95</b>	
72	<b>R94-2703</b>	94-2703	Plug - Plastic Spindle Housing	1	<b>2.05</b>	
73	<b>R353-949</b>	353-949, 60-3520	O-Ring	2	<b>1.40</b>	
74	<b>R323-6</b>	01-150-0010, 01-178-0608, 20-47-AD, 20-47-AGD, 3224-2, 323-6, 49-3510, 908034P, 908332	Bolt - Hex HD 3/8-16 x 1 GR5 YZ	10	<b>0.59</b>	
75	<b>R3254-6</b>	01-166-0010, 01-166-0280, 01-166-0610, 3253-5, 3254-18, 3254-6, 3290-223, 48-9370	Washer - Lock 3/8	4	<b>0.08</b>	

All original equipment manufacturers names and part numbers are used for identification purposes only, and we are in no way implying that our products are original equipment parts. Prices subject to change without notice.



# Replaces Toro Reelmaster 3100-D Parts

27in Cutting Unit - Models 03210, 03237 & 03239

Reel & Bedknife



Item No	R&R Part No.	OEM Part No.	Description	Qty Req	Price Each	Order Quantity
76	<b>R400264</b>	01-150-0180, 01-178-0610, 20-48-AD, 20-48-AGD, 32-9160, 3224-3, 323-29, 323-7, 400264, 908035P	Bolt - Hex HD 3/8-16 x 1-1/4	2	<b>0.40</b>	
77	<b>R3296-39</b>	32127-25, 32128-36, 3290-357, 3296-17, 3296-22, 3296-39, 915663P, 99-7443	Locknut - 3/8-16 Nylon	6	<b>1.40</b>	
78	<b>R32121-36</b>	32121-36	Pin-Spring	4	<b>2.55</b>	
79	<b>R110-1718</b>	110-1718	Screw-HHF	4	<b>1.10</b>	
80	<b>R302-5</b>	21-6010, 302-11, 302-37, 302-47, 302-5, 302-57, 302-58, 302-6, 31-0300, 32-9660, 60-0800, 62-3880, 92-4181	Fitting - Grease	4	<b>0.27</b>	

All original equipment manufacturers names and part numbers are used for identification purposes only, and we are in no way implying that our products are original equipment parts. Prices subject to change without notice.





# Replaces Toro Reelmaster 3100-D Parts

27in Cutting Unit - Models 03210, 03237 & 03239  
Reel & Bedknife



Item No	R&R Part No.	OEM Part No.	Description	Qty Req	Price Each	Order Quantity
81	<b>R323-10</b>	01-150-0680, 01-178-0616, 100-6663, 100-8320, 1489, 20-51-AD, 20-51-AGD, 3224-6, 323-10, 323-35, 908336	Bolt - Hex HD 3/8-16 x 2	4	<b>0.55</b>	
82	<b>R101526</b>	01-150-0970, 01-178-0620, 101526, 20-53-AGD, 321-11, 3224-8, 323-11, 323-12, 323-31, 323-4, 323-47	Bolt - Hex HD 3/8-16 x 2-1/2 GR5	6	<b>0.91</b>	
83	<b>R94-8945</b>	94-8945	Bushing - Bronze - Link Bar	2	<b>2.55</b>	
84	<b>R32128-19</b>	104-8301, 104-9301, 32128-19	Locknut - 3/8-16 Flanged Top Lock	8	<b>0.97</b>	
85	<b>R14-4479</b>	14-4479	Bracket - Assy - Rear Roller	2	<b>36.20</b>	
86	<b>R14-4489</b>	14-4489	Bracket - Assy - Front Roller	2	<b>36.50</b>	
87	<b>R3231-25</b>	01-173-0610, 30-9970, 3231-25, 3231-3, 900064P	Bolt - Carriage 3/8-16 x 1-1/4	4	<b>0.66</b>	
88	<b>R61-0420</b>	61-0420, 61-0420-01	Support - HOC	4	<b>17.40</b>	
89	<b>R61-0790</b>	323-57, 61-0790	Bolt - Roller Adjustment	4	<b>3.55</b>	

All original equipment manufacturers names and part numbers are used for identification purposes only, and we are in no way implying that our products are original equipment parts. Prices subject to change without notice.



## Replaces Toro Reelmaster 3100-D Parts

27in Cutting Unit - Models 03210, 03237 & 03239

Reel & Bedknife



Item No	R&R Part No.	OEM Part No.	Description	Qty Req	Price Each	Order Quantity
90	<b>R61-0910</b>	61-0910	Bracket	4	<b>6.20</b>	
91	<b>R105-6761</b>	105-6761	Seal	2	<b>7.05</b>	
92	<b>R29-8910-01</b>	29-8910	Washer - Flat 1/2	2	<b>0.36</b>	
93	<b>R323-2</b>	01-178-0604, 323-2	Bolt - Hex HD 3/8-16 x 1	2	<b>0.44</b>	
95	<b>R93-8064</b>	93-8064	Decal - Warning	1	<b>2.50</b>	
96	<b>R32144-10</b>	32140-81, 32144-10, 32144-3, 34-140-AMVD	Bolt - 1/4-20 x 3/4 Serrated Hx Wshr	2	<b>2.85</b>	
97	<b>R95-8753-01</b>	95-8753, 95-8753-01	Reel Frame - 27 in	1	<b>244.15</b>	
97	<b>R95-8755-01</b>	95-8755, 95-8755-01	Reel Frame - 32 in	1	<b>215.30</b>	
98	<b>R61-3800</b>	61-3800	Plate - HOC Rear	2	<b>6.45</b>	
99	<b>R3290-55</b>	3290-50, 3290-55	Rivet - 5/32 x 3/8 Pop Rivet	8	<b>0.35</b>	
100	<b>R61-3790</b>	61-3790	Plate-HOC, Front	2	<b>3.85</b>	
101	<b>R99-3404</b>	93-6930, 99-3404	Housing-Bearing	2	<b>54.70</b>	
102	<b>R105-0171-03</b>	105-0171-03	Weight-End	1	<b>71.90</b>	
104	<b>R16-9759</b>	16-9759	Link Assy	4	<b>44.50</b>	
105	<b>R93-8806</b>	93-8806	Washer-Hardened	16	<b>1.45</b>	
106	<b>R93-6981</b>	93-6981	Spacer	8	<b>4.60</b>	
107	<b>R93-6960</b>	93-6960	Cover - Bearing Holder	1	<b>15.85</b>	
108	<b>R94-5979</b>	94-5979	Gasket	1	<b>6.45</b>	

All original equipment manufacturers names and part numbers are used for identification purposes only, and we are in no way implying that our products are original equipment parts. Prices subject to change without notice.



## Replaces Toro Reelmaster 3100-D Parts

27in Cutting Unit - Models 03210, 03237 & 03239  
Reel & Bedknife



Item No	R&R Part No.	OEM Part No.	Description	Qty Req	Price Each	Order Quantity
109	<b>R99-3472</b>	99-3472	Weight	2	<b>17.40</b>	
110	<b>R321-23</b>	321-23	Bolt - Hx HD 1/4-20 x 3	0	<b>2.55</b>	
110	<b>R400124</b>	01-178-0420, 20-11-AD, 321-15	Bolt - Hex HD 1/4-20 x 2-1/2 GR5	2	<b>0.83</b>	
111	<b>R301504</b>	2296-42, 301504, 32127-24, 32128-33, 32146-17, 3296-16, 3296-42, 3296-42 , 915661P	Locknut - ESNA 1/4-20	2	<b>0.18</b>	
112	<b>R71-3690</b>	61-0630, 71-3690	Spade - Bent	4	<b>9.50</b>	
113	<b>R3290-467</b>	3290-467	Pin-Hair	4	<b>0.41</b>	

All original equipment manufacturers names and part numbers are used for identification purposes only, and we are in no way implying that our products are original equipment parts. Prices subject to change without notice.