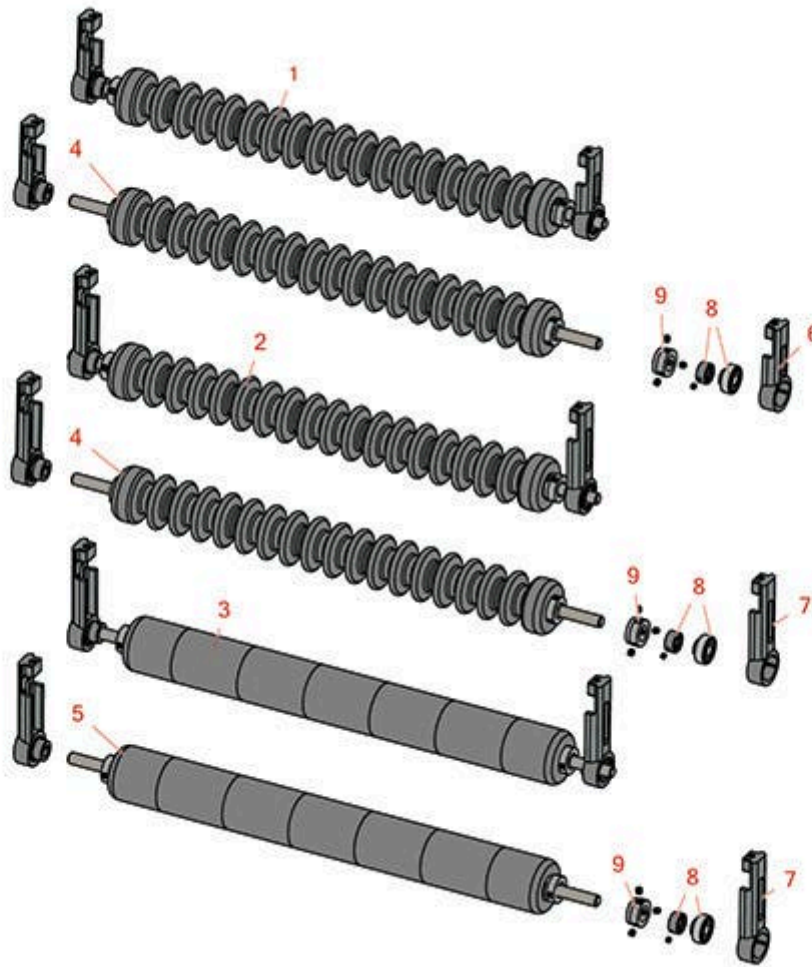




# Replaces Toro Reelmaster 216 Parts

Cutting Unit

Minuteman Roller System



All original equipment manufacturers names and part numbers are used for identification purposes only, and we are in no way implying that our products are original equipment parts. Prices subject to change without notice.



# Replaces Toro Reelmaster 216 Parts



Cutting Unit  
Minuteman Roller System

Item R&R  
No Part No.

OEM  
Part No.Description

Qty  
Req

Price  
Each

Order  
Quantity

## Complete Minuteman Roller Systems

1	<b>RMT2001</b>	Minuteman Front Grooved Roller System	0	<b>390.45</b>
---	----------------	---------------------------------------	---	---------------

*Tech Note: Complete roller systems include roller and two brackets with bearings.:*

2	<b>RMT2002</b>	Minuteman Rear Grooved Roller System	0	<b>390.45</b>
---	----------------	--------------------------------------	---	---------------

*Tech Note: Complete roller systems include roller and two brackets with bearings.:*

3	<b>RMT2003</b>	Minuteman Rear Smooth Roller System	0	<b>375.95</b>
---	----------------	-------------------------------------	---	---------------

*Tech Note: Complete roller systems include roller and two brackets with bearings.:*

## Minuteman Rollers Only

4	<b>RM524</b>	Minuteman Grooved Roller Only	0	<b>317.70</b>
---	--------------	-------------------------------	---	---------------

*Tech Note: Use with Minuteman Roller Bracket System Only:*

5	<b>RM525</b>	Minuteman Smooth Roller Only	0	<b>306.85</b>
---	--------------	------------------------------	---	---------------

*Tech Note: Use with Minuteman Roller Bracket System Only:*

## Other Parts Available

6	<b>RT221</b>	Bracket - Front RH/LH	2	<b>66.95</b>
---	--------------	-----------------------	---	--------------

7	<b>RT231</b>	Bracket - Rear RH/LH	2	<b>66.95</b>
---	--------------	----------------------	---	--------------

8	<b>RMMB157</b>	Bearing w/Locking Collar	2	<b>20.95</b>
---	----------------	--------------------------	---	--------------

9	<b>RMM3</b>	End Hub - 7/8 ID	2	<b>9.85</b>
---	-------------	------------------	---	-------------

All original equipment manufacturers names and part numbers are used for identification purposes only, and we are in no way implying that our products are original equipment parts. Prices subject to change without notice.